



for

LED

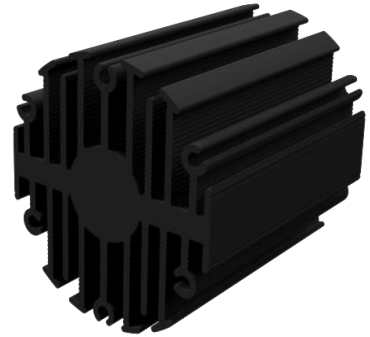


eLED

eLED-LG-4650 LG Innotek Modular Passive Star LED Heat Sink Φ 46mm

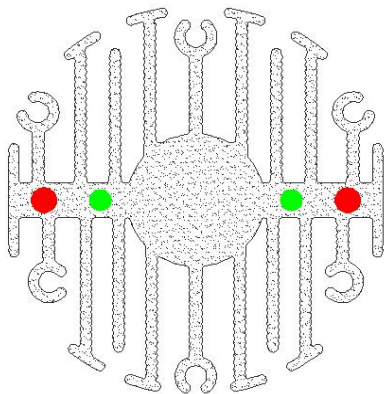
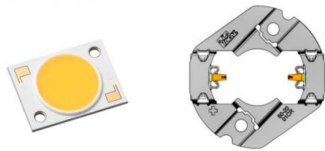
Features VS Benefits

- * The eLED-LG-4650 LG Innotek Modular Passive Star LED Heat Sinks are specifically designed for luminaires using the LG Innotek LED engines.
- * Mechanical compatibility with direct mounting of the LED engines to the LED cooler and thermal performance matching the lumen packages.
- * For spotlight and downlight designs from 450 to 1200 lumen.
- * Thermal resistance range R_{th} 5.0°C/W.
- * Modular design with mounting holes foreseen for direct mounting of LG Innotek COB 10W/13W LED engines.
- * Diameter 46.5mm - standard height 50mm Other heights on request.
- * Extruded from highly conductive aluminum.



Zhaga LED engine and radiator assembly is a unified future international standardization

- * Below you find an overview of LG Innotek engines COB's and LED modules which standard fit on the eLED Star LED Heat Sinks.
- * In this way mechanical after work and related costs can be avoided, and lighting designers can standardize their designs on a limited number of Star LED Heat Sinks.



LG Innotek LED engines Mounting Options

10W COB:

LEMWM18580GGxxxx;
LEMWM18580HGxxxx;
LEMWM18580JGxxxx;
LEMWM18580LGxxxx;
LEMWM18580MGxxxx;

Zhaga Book3
AAG STUCCHI holder:8600;
BJB holder:47.319.2080.50;
IDEAL holder:50-2100LG;
Red indicator marks:
Direct mounting with machine screws M3x8mm;

Green indicator marks.
Direct mounting with machine screws M2x6mm;

13W COB:

LEMWM18680HGxxxx;
LEMWM18680JGxxxx;
LEMWM18680LGxxxx;
LEMWM18680MGxxxx;

Zhaga Book3
AAG STUCCHI holder:8600;
BJB holder:47.319.2080.50;
IDEAL holder:50-2100LG;
Red indicator marks:
Direct mounting with machine screws M3x8mm;

Green indicator marks.
Direct mounting with machine screws M2.5x6mm;



eLED

eLED-LG-4650 LG Innotek Modular Passive Star LED Heat Sink Φ 46mm

Mounting Options and Drawings & Dimensions

Example:eLED-LG-4650-B-1

Example:eLED-LG-4650-1-2-3

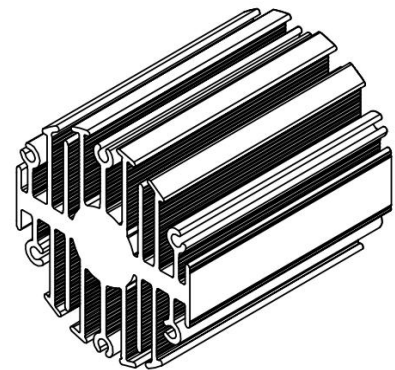
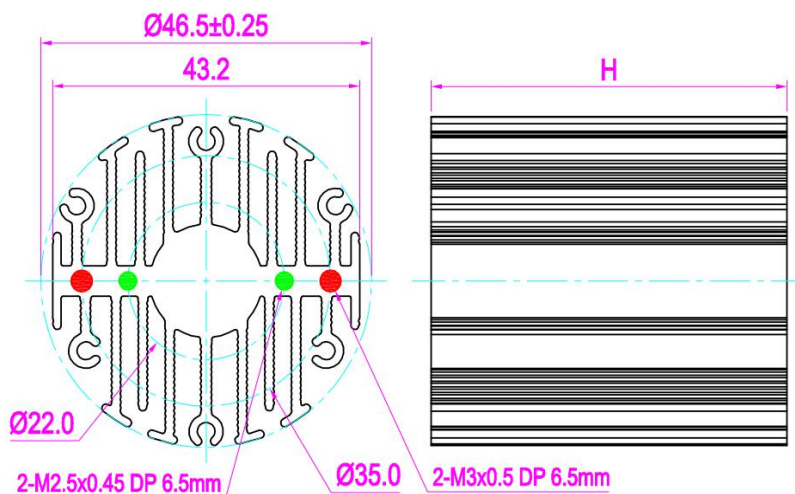
- 1 Height (mm)
- 2 Anodising Color
B-Black
C-Clear
Z-Custom
- 3 Mounting Options - see graphics for details Combinations available
Ex.order code - 12
means option 1 and 2 combined

Notes:

- Mentioned models are an extraction of full product range.
- For specific mechanical adaptations please contact MingfaTech.
- MingfaTech reserves the right to change products or specifications without prior notice.



MOUNTING OPTION	Module type	Holder NO.	THREAD	THREAD DEPTH	THREAD HOLE DISTANCE
1	COB 10W/13W	/	M2.5	5mm	22.0mm/ @180°
2	COB 10W/13W	BJB (47.319.2028.50)	M3	6.5mm	35.0mm/ @180°
		AAG.STUCCHI (8600)			
		IDEAL (50-2100LG)			



Tel:+86-769-39023131
E-fax:+86-(020)28819702 ext:22122
Email:sales@mingfatech.com
Http://www.heatsinkled.com
Http://www.mingfatech.com



eLED

eLED-LG-4650 LG Innotek Modular Passive Star LED Heat Sink Φ 46mm

The thermal data table

	 <i>eLED-4650</i>
Model No.	eLED-LG-4650
Size	Φ46.5xH50mm
Material	AL6063-T5
Finish	Black Anodized
Weight(gr)	101
Thermal Wattage	10.0W
HeatsinkΘs-a²	41280
Heat Sink T Rise Above Ambient	5.0

Dissipated Power Pd(W)	Pd = Pe x (1- η L)	Heat sink to ambient thermal resistance Rhs-amb ($^{\circ}$ C/W)	Heat sink toambienttemperature riseThs-amb ($^{\circ}$ C)
		eLED-LG-4650	
3		5.67	17
6		5.50	33
9		5.22	47
12		4.83	58
15		4.33	65

