



for

LED

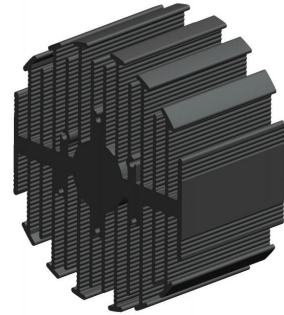


eLED

### eLED-LUN-9550 Luminus Modular Passive Star LED Heat Sink Ø95mm

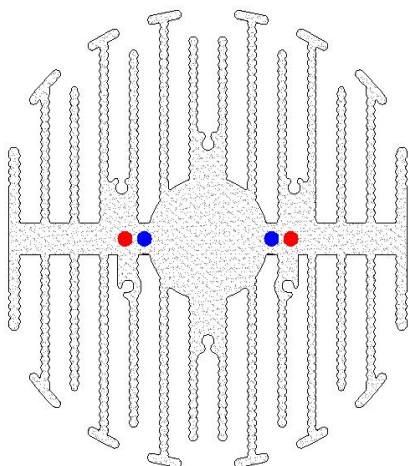
#### Features VS Benefits

- \* The eLED-LUN-9550 Luminus Modular Passive LED Heat Sinks are specifically designed for luminaires using the Luminus LED engines.
- \* Mechanical compatibility with direct mounting of the LED engines to the LED cooler and thermal performance matching the lumen packages.
- \* For spotlight and downlight designs from 1800 to 4500 lumen.
- \* Thermal resistance range Rth 1.35°C/W.
- \* Modular design with mounting holes foreseen for direct mounting of Luminus COB LED engines.
- \* Diameter 95mm - standard height 50mm Other heights on request.
- \* Extruded from highly conductive aluminum.



#### Zhaga LED engine and radiator assembly is a unified future international standardization

- \* Below you find an overview of Luminus COB's and LED modules which standard fit on the Star LED Heat Sinks.
- \* In this way mechanical after work and related costs can be avoided, and lighting designers can standardize their designs on a limited number of Star LED Heat Sinks.



#### Luminus LED engines Mounting Options

##### CXM-14 COB Arrays LED Modules names:

- CXM-14-27-XX-36-AC00-XX-X;
- CXM-14-30-XX-36-AC00-XX-X;
- CXM-14-35-XX-36-AC00-XX-X;
- CXM-14-40-XX-36-AC00-XX-X;
- CXM-14-50-XX-36-AC00-XX-X;
- CXM-14-65-XX-36-AC00-XX-X;

##### CHM-14 COB Arrays LED Modules names:

- CHM-14-27-XX-36-AC00-XX-X;
- CHM-14-30-XX-36-AC00-XX-X;
- CHM-14-35-XX-36-AC00-XX-X;
- CHM-14-40-XX-36-AC00-XX-X;
- CHM-14-50-XX-36-AC00-XX-X;
- CHM-14-65-XX-36-AC00-XX-X;

With Zhaga Book 3 for red indicator marks:

- BJB Holder:47.319.2021.50;
- AAG.STUCCHI holder:8101-G2;

Mounting with machine screws M3x8mm;

Without LED holders for blue indicator marks.

Direct mounting with machine screws M3x8mm;

##### CXM-22 COB Arrays LED Modules names:

- CXM-22-27-XX-36-AC00-XX-X;
- CXM-22-30-XX-36-AC00-XX-X;
- CXM-22-35-XX-36-AC00-XX-X;
- CXM-22-40-XX-36-AC00-XX-X;
- CXM-22-50-XX-36-AC00-XX-X;
- CXM-22-65-XX-36-AC00-XX-X;

With Zhaga Book 3 for red indicator marks:

- BJB Holder:47.319.2030.50;
- AAG.STUCCHI holder:8102-G2;

Direct mounting with machine screws M3x8mm;

Tel:+86-769-39023131  
 E-fax: +86-(020)28819702 ext:22122  
 Email:sales@mingfatech.com  
 Http://www.heatsinkled.com  
 Http://www.mingfatech.com



eLED

eLED-LUN-9550 Luminus Modular Passive Star LED Heat Sink  $\Phi$ 95mm

Mounting Options and Drawings & Dimensions

Example:eLED-LUN-9550-B-1

Example:eLED-LUN-9550-1-2-3

- 1** Height (mm)
- 2** Anodising Color  
B-Black  
C-Clear  
Z-Custom
- 3** Mounting options;  
On request;  
Mounting holes, cable holes;  
Screw thread, thermal interface pad.

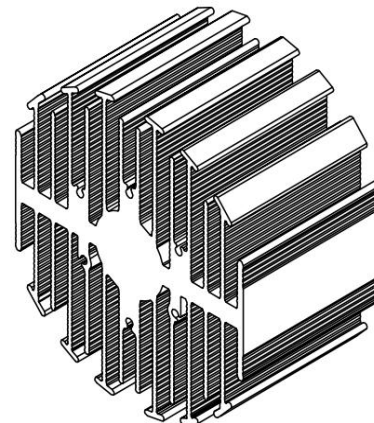
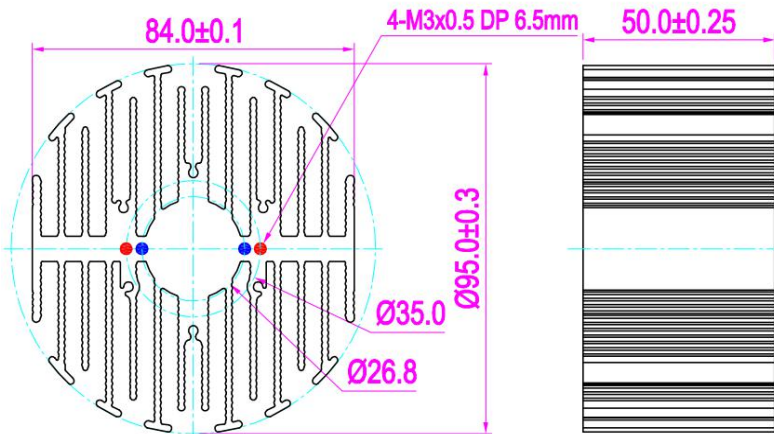
Notes:

- Mentioned models are an extraction of full product range.
- For specific mechanical adaptations please contact MingfaTech.
- 
- MingfaTech reserves the right to change products or specifications without prior notice.

Note : option 1 and option 2 can not be combined



MOUNTING OPTION	Module type	Holder NO.	THREAD	THREAD DEPTH	THREAD HOLE DISTANCE
1	CXM-14 CHM-14	/	M3	6.5mm	26.8mm/ 2-@180°
2	CXM-14 CHM-14	AAG.STUCCHI 8101-G2	M3	6.5mm	35.0mm/ 2-@180°
		BJB 47.313.2021.50			
	CXM-22	AAG.STUCCHI 8102-G2			
		BJB 47.313.2030.50			



eLED

eLED-LUN-9550 Luminus Modular Passive Star LED Heat Sink  $\Phi$ 95mm

The thermal data table

	 <i>eLED-9550</i>
<b>Model No.</b>	<b>eLED-LUN-9550</b>
<b>Size</b>	<b><math>\Phi</math>95xH50mm</b>
<b>Material</b>	<b>AL6063-T5</b>
<b>Finish</b>	<b>Black Anodized</b>
<b>Weight(gr)</b>	<b>362</b>
<b>Thermal Wattage</b>	<b>38.0W</b>
<b>Heatsink<math>\Theta</math>s-a<sup>2</sup></b>	<b>110295</b>
<b>Heat Sink T Rise Above Ambient</b>	<b>1.35</b>

Dissipated Power Pd(W)	Pd = Pe x (1- $\eta$ L)	Heat sink to ambient thermal resistance Rhs-amb ( $^{\circ}$ C/W)	Heat sink to ambient temperature rise T <sub>hs-amb</sub> ( $^{\circ}$ C)
		eLED-LUN-9550	
10		1.80	18
20		1.40	28
30		0.97	29
40		1.25	50
50		1.18	59

