

## EtraLED

### EtraLED-PRO-7050 Prolight Modular Passive Star LED Heat Sink $\Phi$ 70mm

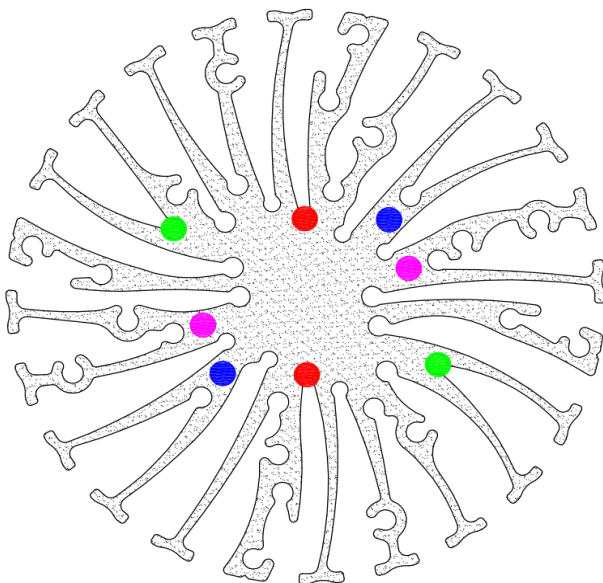
#### Features VS Benefits

- \* The EtraLED-PRO-7050 Prolight Modular Passive LED Coolers are specifically designed for luminaires using the Prolight LED engines.
- \* Mechanical compatibility with direct mounting of the LED engines to the LED cooler and thermal performance matching the lumen packages.
- \* For spotlight and downlight designs from 800 to 3000 lumen.
- \* Thermal resistance range  $R_{th}$  2.2°C/W.
- \* Modular design with mounting holes foreseen for direct mounting of Prolight CI Series, CII SERIRS, BI SERIRS, BS SERIRS and N SERIRS engines.
- \* Diameter 70mm - standard height 50mm Other heights on request.
- \* Extruded from highly conductive aluminum.



#### Prolight LED engine and radiator assembly directly Mounting Options

- \* Below you find an overview of Prolight COB's and LED modules which standard fit on the EtraLED Star LED Heat Sinks.
- \* In this way mechanical after work and related costs can be avoided, and lighting designers can standardize their designs on a limited number of LED coolers.



#### Prolight LED Spotlight COB engines Mounting Options

##### COB CI Series Modules names:

PACB-5xxx-xxxx ;  
PACB-7xxx-xxxx ;  
PACB-9xxx-xxxx ;

Pink indicator marks: Zhaga Book 11 BJB Holder:47.319.6060.50;  
Green indicator marks: Zhaga Book3 BJB Holder:47.319.2040.50  
Mounting with machine screws M3x8mm ;  
Red indicator marks ;  
Direct mounting machine screws M3x6mm ;

##### COB BI SERIRS Module names:

PABA-10xxx-xxxx ;  
PABA-15xxx-xxxx ;  
PABA-22xxx-xxxx ;  
PABA-26xxx-xxxx ;

Green indicator marks: Zhaga Book3 BJB Holder:47.319.2040.50;  
Mounting with machine screws M3x8mm;  
Blue indicator marks:  
Direct mounting with machine screws M3x6mm;

##### COB BS SERIRS Modlue names:

PABS-6xxx-xxxx ;  
PABS-9xxx-xxxx ;

Red indicator marks:  
Direct mounting with machine screws M3x6mm;

##### COB N SERIRS Module names:

PANA-10xxx-xxxx ;  
PANA-12xxx-xxxx ;  
PANA-17xxx-xxxx ;  
PANA-24xxx-xxxx ;

Blue indicator marks:  
Direct mounting with machine screws M3x6mm;

##### COB CII SERIRS Modules names:

PACC-18xxx-xxxx ;

Blue indicator marks:  
Direct mounting with machine screws M3x6mm;

**EtraLED**

**EtraLED-PRO-7050 Prolight Modular Passive Star LED Heat Sink Φ70mm**

**Mounting Options and Drawings & Dimensions**

Example: EtraLED-PRO-7050-B-3

Example: EtraLED-PRO-70 **1** - **2** - **3**

**1** Height (mm)

**2** Anodising Color

B-Black

C-Clear

Z-Custom

**3** Mounting options;

On request;

Mounting holes, cable holes;

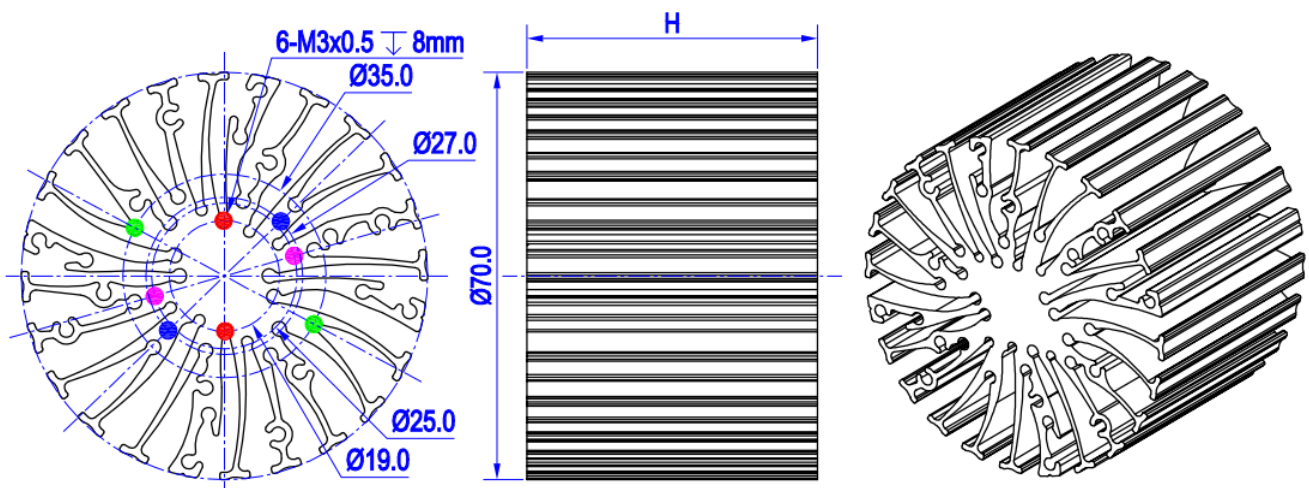
Screw thread, thermal interface pad.

**Notes:**

- Mentioned models are an extraction of full product range.
- For specific mechanical adaptations please contact MingfaTech.
- MingfaTech reserves the right to change products or specifications without prior notice.



MOUNTING OPTION	Module type	Holder NO.	THREAD	THREAD DEPTH	THREAD HOLE DISTANCE
1	COB CI Series COB BS SERIRS	/	M3	6mm	19mm/ 2-@180°
2	COB CI Series	BJB:47.319.6060.50	M3	6mm	25mm/ 2-@180° Zhaga Book 11
3	COB N SERIRS COB BI SERIRS COB CII SERIRS	/	M3	6mm	27mm/ 2-@180°
4	COB CI Series COB BI SERIRS	BJB:47.319.2040.50	M3	6mm	35mm/ 2-@180° Zhaga Book3



*EtraLED*

*EtraLED-PRO-7050 Prolight Modular Passive Star LED Heat Sink Φ70mm*

The thermal data table

	
	<i>EtraLED-7050</i>
<b>Model No.</b>	<b>EtraLED-PRO-7050</b>
<b>Size</b>	<b>Φ70xH50mm</b>
<b>Material</b>	<b>AL6063-T5</b>
<b>Finish</b>	<b>Black Anodized</b>
<b>Weight(gr)</b>	<b>192.0</b>
<b>Thermal Wattage</b>	<b>22.9W</b>
<b>HeatsinkOs-a<sup>2</sup></b>	<b>79093</b>
<b>Heat Sink T Rise Above Ambient</b>	<b>2.2</b>

Dissipated Power Pd(W)	Pd = Pe x (1-ηL)	Heat sink to ambient thermal resistance Rhs-amb (°C/W)	Heat sink to ambient temperature rise Ths-amb (°C)
		EtraLED-PRO-7050	EtraLED-PRO-7050
5		3.1	16.0
10		2.7	27.0
15		2.4	36.0
20		2.3	46.0
25		2.2	53.0

Heat sink to ambient temperature rise Ths-amb(°C) ta=25°C

