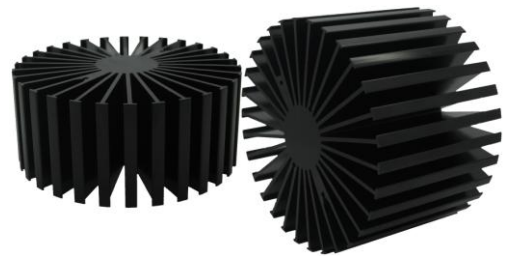


SimpoleD

SimpoleD-LUME-11780 for Lumens Modular Passive LED Cooler Φ 117mm

Features VS Benefits

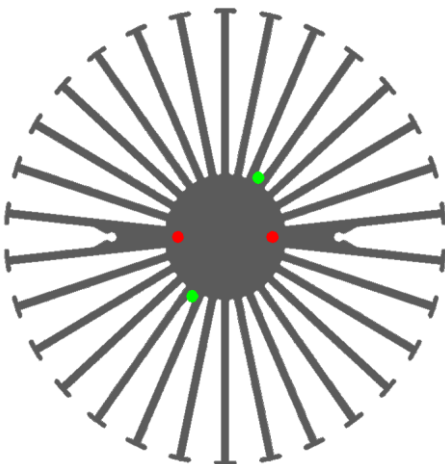
- * The SimpoleD-LUME-11780 Lumens Modular Passive LED Coolers are specifically designed for luminaires using the Lumens LED engines.
- * Mechanical compatibility with direct mounting of the LED engines to the LED cooler and thermal performance matching the lumen packages.
- * For spotlight and downlight designs from 1700 to 7000 lumen.
- * Thermal resistance range R_{th} 0.8 °C/W.
- * Modular design with mounting holes foreseen for direct mounting of Lumens ERC1820, ERC2530, ERC2540 and ERC3050 LED engines.
- * Diameter 117mm - standard height 80mm Other heights on request.
- * Extruded from highly conductive aluminum.



Lumens LED engine and radiator assembly directly Mounting Options

- * Below you find an overview of Lumens COB's and LED modules which standard fit on the SimpoLED coolers.
- * In this way mechanical after work and related costs can be avoided, and lighting designers can standardize their designs on a limited number of LED coolers.

LUMENS



Lumens LED engines for which Zhaga LED Modules holders are available.

For the ERC2530/2540 LED engines.

- | | |
|----------------|----------------|
| ERC2530S8xxHE; | ERC2540S8xxHE; |
| ERC2530S9xxHE; | ERC2540S9xxHE; |

Mounting with machine screws M3x8mm;
 With Zhaga Book 3 LED holder for gree indicator marks.
 (Ideal Holder:50-2102CR);
 (BJB Holder:47.319.2141.50);
 (AAG.STUCCHI holder:8401-G2);

For the ERC1820 LED engines.

- | |
|----------------|
| ERC1820S8xxHE; |
| ERC1820S9xxHE; |

Mounting with machine screws M3x8mm;
 NO.1:With Zhaga Book 3 LED holder for gree indicator marks.
 (Ideal Holder:50-2101CR);
 (BJB holder:47.319.2131.50);
 NO.2:Without the LED holder for red indicator marks.

For the ERC3050 LED engines.

- | |
|----------------|
| ERC3050S8xxHE; |
| ERC3050S9xxHE; |

Mounting with machine screws M3x8mm;
 With Zhaga Book 3 LED holder for gree indicator marks.
 (Ideal Holder:50-2234C);
 (BJB holder:47.319.2151.50);

Please refer to the www.lumensleds.com data provided on the manual.



for

LED



SimpoleD

SimpoleD-LUME-11780 for Lumens Modular Passive LED Cooler Φ 117mm

Mounting Options and Drawings & Dimensions

Example: SimpoleD-LUME-11780-B-1

Example: SimpoleD-LUME-117 **1** - **2** - **3**

1 Height (mm)

2 Anodising Color
 B-Black
 C-Clear
 Z-Custom

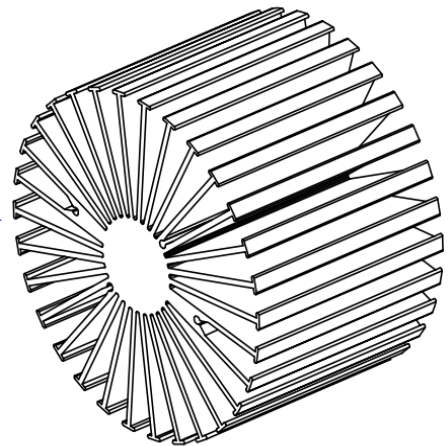
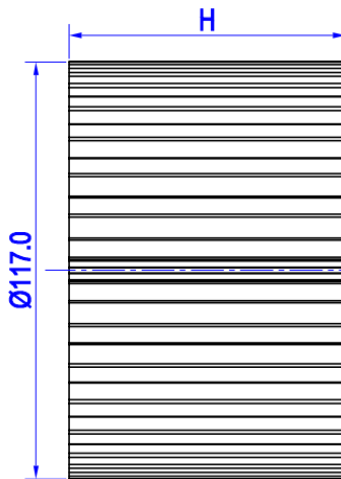
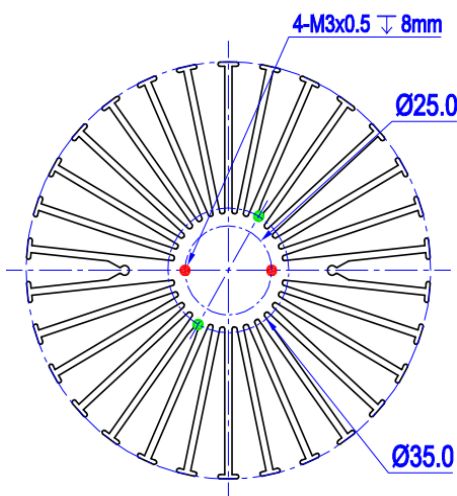
3 Mounting Options - see graphics for details
 Combinations available
 Ex.order code - 12
 means option 1 and 2 combined

Notes:

- Mentioned models are an extraction of full product range.
- For specific mechanical adaptations please contact MingfaTech.
- MingfaTech reserves the right to change products or specifications without prior notice.

MOUNTING OPTION	Module type	Holder NO.	THREAD	THREAD DEPTH	THREAD HOLE DISTANCE
1	ERC1820	/	M3	8mm	25.0mm/ 2-@180°
2	ERC2530 ERC2540	Ideal 50-2102CR	M3	8mm	35.0mm/ 2-@180°
		BJB 47.313.2141.50			
	AAG. 8401-G2				
	ERC3050	Ideal 50-2234C			
		BJB 47.313.2131.50			

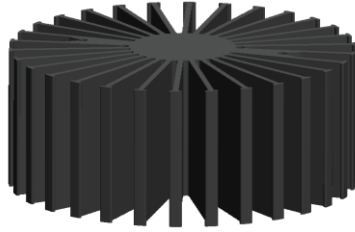
LUMENS



SimpoleD

SimpoleD-LUME-11780 for Lumens Modular Passive LED Cooler Φ 117mm

The thermal data table

	 <i>SimpoleD-11780</i>
Model No.	SimpoleD-LUME-11780
Size	Φ117xH80mm
Material	AL6063-T5
Finish	Black Anodized
Weight(g)	774.0
Thermal Wattage	60.7W
HeatsinkOs-a²	231490
Heat Sink T Rise Above Ambient	0.8

Dissipated Power Pd(W)	Pd = Pe x (1- η L)	Heat sink to ambient thermal resistance Rhs-amb ($^{\circ}$ C/W)	Heat sink to ambient temperature rise Ths-amb ($^{\circ}$ C)
		SimpoleD-LUME-11780	SimpoleD-LUME-11780
15.0		1.01	15.2
30.0		0.88	26.4
45.0		0.80	36.1
60.0		0.75	45.2
75.0		0.71	53.8
90.0		0.68	62.0

