



for

LED

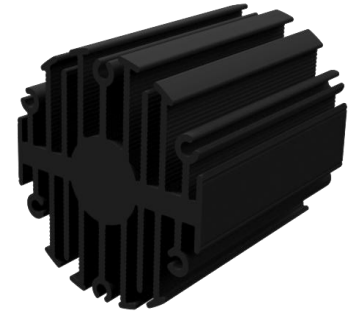


eLED

eLED-ADU-4650 Adura Modular Passive Star LED Heat Sink Φ 46mm

Features VS Benefits

- * The eLED-ADU-4650 Adura Modular Passive Star LED Heat Sinks are specifically designed for luminaires using the Adura LED engines.
- * Mechanical compatibility with direct mounting of the LED engines to the LED cooler and thermal performance matching the lumen packages.
- * For spotlight and downlight designs from 450 to 1200 lumen.
- * Thermal resistance range Rth 5.0°C/W.
- * Modular design with mounting holes foreseen for direct mounting of Adura LOB series engines.
- * Diameter 46.5mm - standard height 50mm Other heights on request.
- * Extruded from highly conductive aluminum.

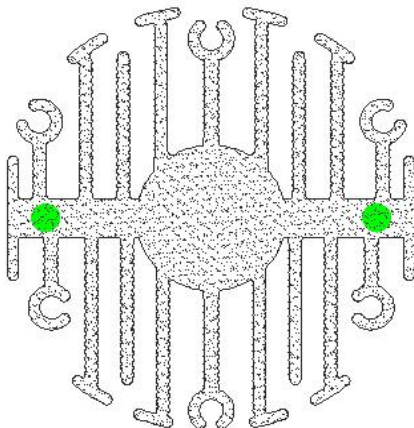
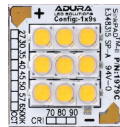


Zhaga LED engine and radiator assembly is a unified future international standardization

- * Below you find an overview of Adura LED modules which standard fit on the Star LED Heat Sinks.
- * In this way mechanical after work and related costs can be avoided, and lighting designers can standardize their designs on a limited number of Star LED Heat Sinks.



ADURA
LED SOLUTIONS



Adura LED Modules directly Mounting Options

LOB 1979C-A LED engines.

- | | |
|-------------------------------|-------------------------------|
| LOB-150026D-0093535-277-1x9C; | LOB-150026D-0093535-308-1x9C; |
| LOB-150026D-0093535-307-1x9C; | LOB-150026D-0093535-358-1x9C; |
| LOB-150026D-0093535-357-1x9C; | LOB-150026D-0093535-408-1x9C; |
| LOB-150026D-0093535-407-1x9C; | LOB-150026D-0093535-458-1x9C; |
| LOB-150026D-0093535-457-1x9C; | LOB-150026D-0093535-508-1x9C; |
| LOB-150026D-0093535-507-1x9C; | LOB-150026D-0093535-279-1x9C; |
| LOB-150026D-0093535-577-1x9C; | LOB-150026D-0093535-309-1x9C; |
| LOB-150026D-0093535-657-1x9C; | LOB-150026D-0093535-359-1x9C; |
| LOB-150026D-0093535-278-1x9C; | LOB-150026D-0093535-409-1x9C; |

LOB 1980C-A LED engines.

- | | |
|------------------------------|------------------------------|
| LOB-45009D-0093535-277-3x3C; | LOB-45009D-0093535-308-3x3C; |
| LOB-45009D-0093535-307-3x3C; | LOB-45009D-0093535-358-3x3C; |
| LOB-45009D-0093535-357-3x3C; | LOB-45009D-0093535-408-3x3C; |
| LOB-45009D-0093535-407-3x3C; | LOB-45009D-0093535-458-3x3C; |
| LOB-45009D-0093535-457-3x3C; | LOB-45009D-0093535-508-3x3C; |
| LOB-45009D-0093535-507-3x3C; | LOB-45009D-0093535-279-3x3C; |
| LOB-45009D-0093535-577-3x3C; | LOB-45009D-0093535-309-3x3C; |
| LOB-45009D-0093535-657-3x3C; | LOB-45009D-0093535-359-3x3C; |
| LOB-45009D-0093535-278-3x3C; | LOB-45009D-0093535-409-3x3C; |

With Zhaga Book 3 LED holder

- BJB holder: 47.313.2131.50;
- Ideal Holde: 50-2103CT
- Green indicator marks.
- Mounting with machine screws M3x6.5mm;



eLED

eLED-ADU-4650 Adura Modular Passive Star LED Heat Sink Φ 46mm

Mounting Options and Drawings & Dimensions

Example:eLED-ADU-4650-B-1

Example:eLED-ADU-4650-1-2-3

1 Height (mm)

2 Anodising Color

B-Black

C-Clear

Z-Custom

3 Mounting Options - see graphics for details Combinations available

Ex.order code - 12

means option 1 and 2 combined



ADURA
LED SOLUTIONS



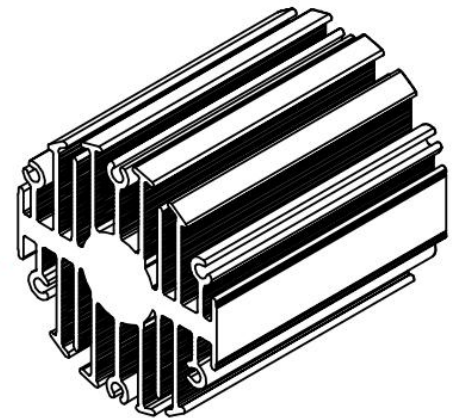
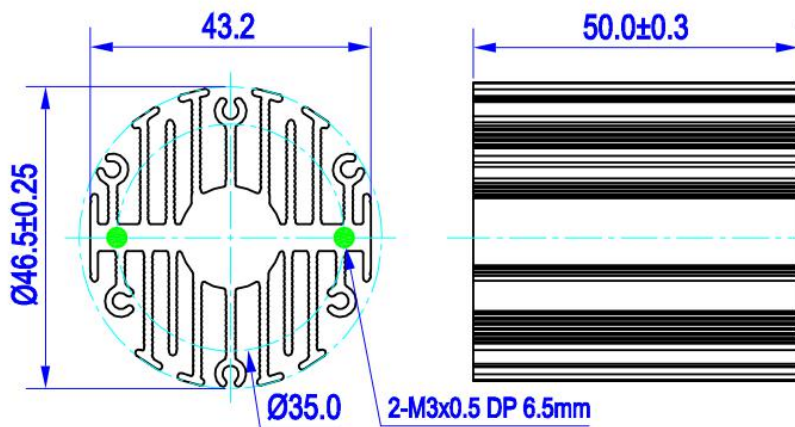
Notes:

- Mentioned models are an extraction of full product range.

- For specific mechanical adaptations please contact MingfaTech.

- MingfaTech reserves the right to change products or specifications without prior notice.

MOUNTING OPTION	Module type	Holder NO.	THREAD	THREAD DEPTH	THREAD HOLE DISTANCE
1	1979C-A; 1980C-A;	Ideal Holde 50-2103CT BJB 47.313.2131.50	M3	6.5mm	35.0mm/ 2-@180°



eLED

eLED-ADU-4650 Adura Modular Passive Star LED Heat Sink Φ 46mm

The thermal data table

	
	<i>eLED-4650</i>
Model No.	eLED-ADU-4650
Size	Φ 46.5xH50mm
Material	AL6063-T5
Finish	Black Anodized
Weight(gr)	101
Thermal Wattage	10.0W
HeatsinkΘs-a²	41280
Heat Sink T Rise Above Ambient	5.0

Dissipated Power Pd(W)	Pd = Pe x (1- η L)	Heat sink to ambient thermal resistance Rhs-amb ($^{\circ}$ C/W)	Heat sink toambienttemperature riseThs-amb ($^{\circ}$ C)
		eLED-ADU-4650	
3		5.67	17
6		5.50	33
9		5.22	47
12		4.83	58
15		4.33	65

