



for

LED



HibayLED

HibayLED-CRE-230126

CREE Modular vacuum phase-transition LED Heat Sink (Passive) Φ230mm

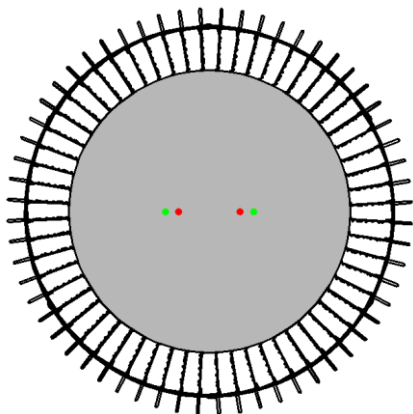
Features VS Benefits

- * The HibayLED-CRE-230126 Cree Modular vacuum phase-transition LED Heat Sinks (Passive) are specifically designed for luminaires using the Cree LED engines.
- * Mechanical compatibility with direct mounting of the LED engines to the LED cooler and thermal performance matching the lumen packages.
- * For Highbay designs from 10000 to 18000 lumen.
- * Thermal resistance range Rth 0.34°C/W.
- * Modular design with mounting holes foreseen for direct mounting of Cree Lxamp CXA18xx, CXA25xx, CXA30xx and CXA3590 LED engines.
- * Diameter 230mm - standard height 126mm Other heights on request.



Unique Advantages

- * Integration of heat super conduction and heat dissipation.Reduce heat conduct resistance of heatsink to ZERO;
- * Low heat conduct temperaure difference, equivalent heatconductive ability 20 times better than copper;
- * More than 30% reduce of volume and weight than normal heatsinks;
- * Compared to normal extrusion heatsinks,Mingfa Tech's our vacuum phase-transition heatsinks can adapt higher power for the same size;
- * Compared to normal extrusion heatsinks,Mingfa Tech's vacuum phase-transition LED heatsinks are much smaller volume and lighter weight for the same power;
- * All aluminium,cost effective;



Cree LED engines for which Zhaga book 3 LED Modules holders are available.

For the Cree Lxamp CXA18xx LED engines.
(Ideal Holder:50-2101CR),
(BJB Holder:47.319.2131.50);

CXA1830xxxx;
CXA1850xxxx;

For the Cree Lxamp CXA25xx LED engines.
(Ideal Holder:50-2102CR),
(BJB Holder:47.319.2141.50),
(AAG.STUCCHI holder:8401-G2);

CXA2530xxxx;
CXA2540xxxx;
CXA2590xxxx;

For the Cree Lxamp CXA30xx LED engines.
(Ideal Holder:50-2234C),
(BJB Holder:47.319.2151.50)

CXA3050xxxx;
CXA3070xxxx;

Direct mounting with machine screws M3x8mm;
With Zhaga Book 3 LED holder for red indicator marks.

For the Cree Lxamp CXA35xx LED engines.
(Ideal Holder:50-2303CR),

CXA3590xxxx;

Direct mounting with machine screws M3x8mm;
Gree indicator marks.

Please refer to the www.cree.com data provided on the manual.

Tel:+86-769-39023131

E-fax:+86-(020)28819702 ext:22122

Email:sales@mingfatech.com

Http://www.heatsinkled.com

Http://www.mingfatech.com





LED



HibayLED

HibayLED-CRE-230126

CREE Modular vacuum phase-transition LED Heat Sink (Passive) Φ 230mm

Mounting Options and Drawings & Dimensions

Example:HibayLED-CRE-230126-B-1,2

Example:HibayLED-CRE-230126 **1** - **2**

- 1** Anodising Color
 B-Black
 C-Clear
 Z-Custom

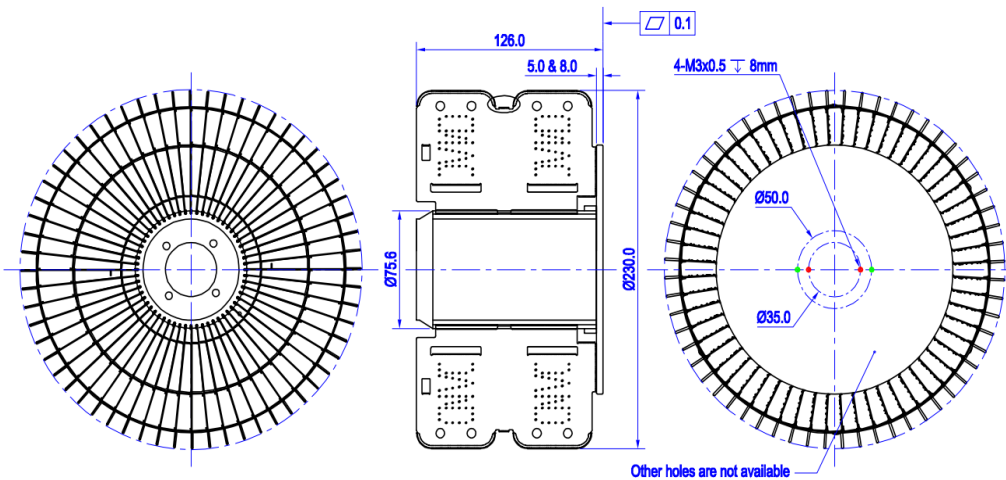
- 2** Mounting Options - see graphics for details Combinations available
 Ex.order code - 12
 means option 1 and 2 combined

Notes:

- Mentioned models are an extraction of full product range.
- For specific mechanical adaptations please contact MingfaTech.
- MingfaTech reserves the right to change products or specifications without prior notice.



MOUNTING OPTION	Module type	Holder NO.	THREAD	THREAD DEPTH	THREAD HOLE DISTANCE
1	CXA18xx	Ideal Holde 50-2101CR	M3	8mm	35.0mm/ 2-@180°
		BJB 47.313.2131.50			
	CXA30xx	Ideal Holde 50-2234C			
		BJB 47.313.2151.50			
	CXA25xx	Ideal Holde 50-2102CR			
		BJB 47.313.2141.50 AAG.STUCCHI 8401-G2			
2	CXA3590	Ideal Holde 50-2303CR	M3	8mm	50.0mm/ 2-@180°



HibayLED

HibayLED-CRE-230126

CREE Modular vacuum phase-transition LED Heat Sink (Passive) $\Phi 230\text{mm}$

The thermal data table

	 <i>HibayLED</i>
Model No.	HibayLED-CRE-230126
Size	$\Phi 230 \times H 126\text{mm}$
Material	AL1070
Finish	Clear Anodized
Weight(gr)	1590.0
Thermal Wattage	150.0W
Heatsink$\Theta_s\text{-a}^2$	1361840
Heat Sink $T_{\text{Rise Above Ambient}}$	0.34

