



**GooLED**

**GooLED-SHA-7850 Pin Fin LED Heat Sink  $\Phi$ 78mm for Sharp**

**Features VS Benefits**

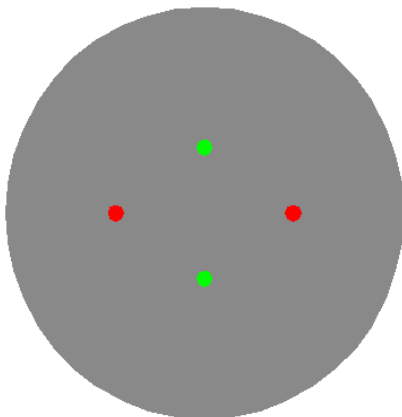
- \* The GooLED-SHA-7850 Sharp Pin Fin LED Heat Sinks are specifically designed for luminaires using the Sharp LED engines.
- \* Mechanical compatibility with direct mounting of the LED engines to the LED cooler and thermal performance matching the lumen packages.
- \* For spotlight and downlight designs from 1500 to 2900 lumen.
- \* Thermal resistance range Rth 2.1°C/W.
- \* Modular design with mounting holes foreseen for direct mounting of SHARP Mini Zenigata and Mega Zenigata LED engines.
- \* Diameter 78mm - standard height 50mm Other heights on request.
- \* Forged from highly conductive aluminum.



**Zhaga LED engine and radiator assembly is a unified future international standardization**

- \* Below you find an overview of Sharp engines COB's and LED modules which standard fit on the GooLED Pin Fin LED Heat Sinks.
- \* In this way mechanical after work and related costs can be avoided, and lighting designers can standardize their designs on a limited number of LED Pin Fin LED Heat Sink.

**SHARP**



**Sharp LED Modules Mounting indicator marks overview**

**Mini Mega Zenigata Modules names:**

- |              |              |
|--------------|--------------|
| GW6BMR27HED; | GW6BGR27HED; |
| GW6BMR30HED; | GW6BGR30HED; |
| GW6BMR40HED; | GW6BGR40HED; |
| GW6BMR50HED; | GW6BGR50HED; |
| GW6BMS27HED; | GW6BGS27HED; |
| GW6BMS30HED; | GW6BGS30HED; |
| GW6BMS40HED; | GW6BGS40HED; |
| GW6BMS50HED; | GW6BGS50HED; |

**Zhaga Book11 Holders:**

BJB holder:47.319.6180.50; A.A.G Stucchi holder:8300/G2  
 Direct mounting with machine screws M3x6mm;  
 Green indicator marks

**Mega Zenigata LED modules names:**

- |              |              |
|--------------|--------------|
| GW6DGA27XFC; | GW6DMA27XFC; |
| GW6DGA30XFC; | GW6DMA30XFC; |
| GW6DGA40XFC; | GW6DMA40XFC; |
| GW6DGA50XFC; | GW6DMA50XFC; |

**Zhaga Book3 Holders:**

TE Connectivity:2213130-2;  
 BJB holder:47.319.2011.50;  
 A.A.G Stucchi holder:8301/G2  
 Mounting with machine screws M3x6mm;  
 Red indicator marks

Tel:+86-769-33252828 +86-769-33251919

E-fax:+86-(020)28819702 ext:22122

Email:sales@mingfatech.com

Http://www.heatsinkled.com

Http://www.mingfatech.com





**GooLED**

**GooLED-SHA-7850 Pin Fin LED Heat Sink  $\Phi$ 78mm for Sharp**

**Mounting Options and Drawings & Dimensions**

Example:GooLED-SHA-7850-B-3

Example:GooLED-SHA-78 **1** - **2** - **3**

- 1** Height (mm)
- 2** Anodising Color  
B-Black  
C-Clear  
Z-Custom
- 3** Mounting Options - see graphics for details Combinations available  
Ex.order code - 12  
means option 1 and 2 combined

**Notes:**

- Mentioned models are an extraction of full product range.
- For specific mechanical adaptations please contact MingfaTech.
- MingfaTech reserves the right to change products or specifications without prior notice.

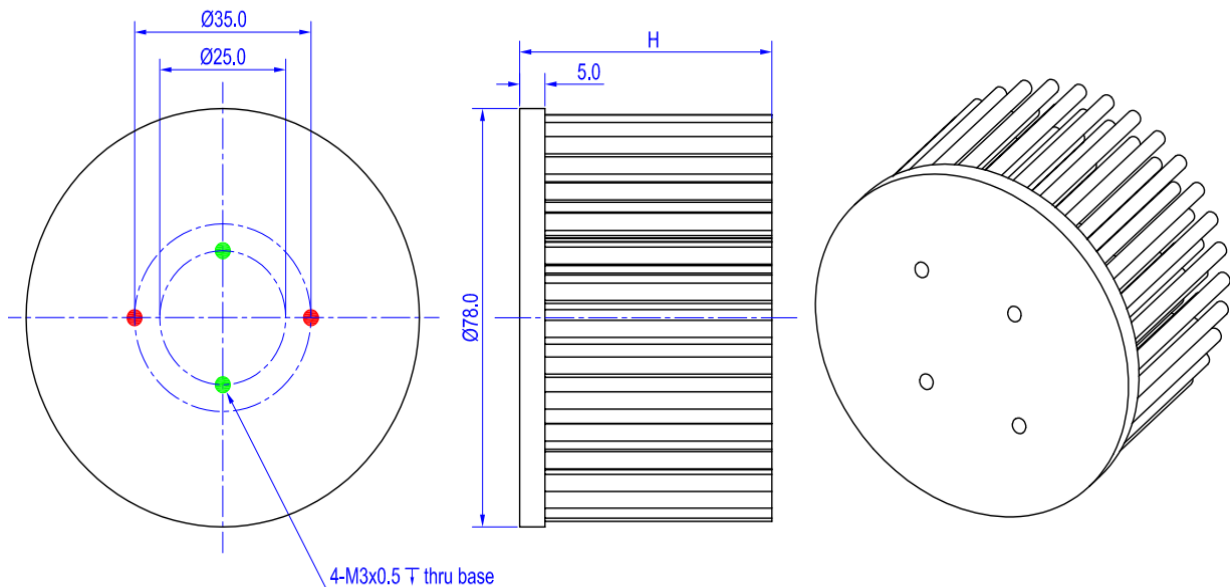
**SHARP**



**STUCCHI**  
Ideas are made of light



MOUNTING OPTION	Module type	Holder NO.	THREAD	THREAD DEPTH	THREAD HOLE DISTANCE
1	Mini ZENIGATA	BJB (47.319.6180.50)	M3	6mm	25.0mm/ @180°
		A.A.G Stucchi (8300/G2)			
2	Mega ZENIGATA	BJB (47.319.2011.50)	M3	6mm	35.0mm/ @180°
		Type (2213130-2)			
		A.A.G Stucchi (8301/G2)			



Tel:+86-769-33252828 +86-769-33251919  
 E-fax:+86-(020)28819702 ext:22122  
 Email:sales@mingfatech.com  
 Http://www.heatsinkled.com  
 Http://www.mingfatech.com



*GooLED*

**GooLED-SHA-7850 Pin Fin LED Heat Sink  $\Phi$ 78mm for Sharp**

The thermal data table

	 <i>GooLED-7850</i>
<b>Model No.</b>	<b>GooLED-SHA-7850</b>
<b>Size</b>	<b><math>\Phi</math>78xH50mm</b>
<b>Material</b>	<b>AL1070</b>
<b>Finish</b>	<b>Black Anodized</b>
<b>Weight(gr)</b>	<b>197.0</b>
<b>Thermal Wattage</b>	<b>24W</b>
<b>Heatsink<math>\Theta</math>s-a<sup>2</sup></b>	<b>75332</b>
<b>Heat Sink T Rise Above Ambient</b>	<b>2.1</b>

Dissipated Power Pd(W)	Pd = Pe x (1- $\eta$ L)	Heat sink to ambient thermal resistance Rhs-amb (°C/W)	Heat sink to ambient temperature rise Ths-amb (°C)
		GooLED-SHA-7830	GooLED-SHA-7830
2.5		3.2	8.0
4.5		2.9	13.0
7.0		2.6	18.5
9.5		2.4	23.0
12.0		2.3	27.5
18.0		2.2	39.0
24.0		2.1	49.0
30.0		1.8	54.0

