



for

LED

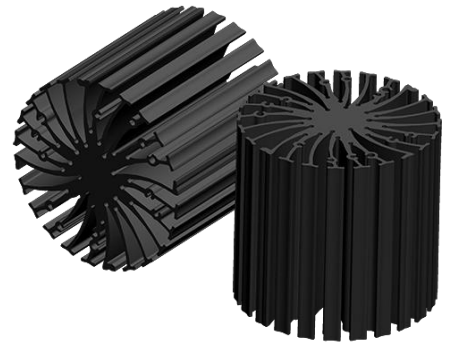


EtraLED

EtraLED-VOS-8580 Vossloh Schwabe Modular Passive Star LED Heat Sink  $\Phi$ 85mm

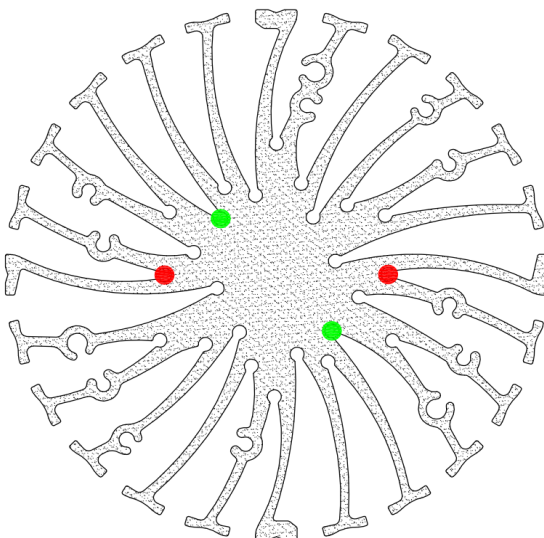
### Features VS Benefits

- \* The EtraLED-VOS-8580 Vossloh-Schwabe Modular Passive Star LED Heat Sinks are specifically designed for luminaires using the Vossloh-Schwabe LED engines.
- \* Mechanical compatibility with direct mounting of the LED engines to the LED cooler and thermal performance matching the lumen packages.
- \* For spotlight and downlight designs from 1500 to 4600 lumen.
- \* Thermal resistance range  $R_{th}$  1.3°C/W.
- \* Modular design with mounting holes foreseen for direct mounting of Vossloh-Schwabe LUGA Shop and LUGA C LED engines.
- \* Diameter 85mm - standard height 80mm Other heights on request.
- \* Extruded from highly conductive aluminum.



### Zhaga LED engine and radiator assembly is a unified future international standardization

- \* Below you find an overview of Vossloh-Schwabe COB's and LED modules which standard fit on the EtraLED Star LED Heat Sinks.
- \* In this way mechanical after work and related costs can be avoided, and lighting designers can standardize their designs on a limited number of Star LED Heat Sinks.



Vossloh-Schwabe LED engines for which Zhaga Book3 LED Modules holders are available.

For the LUGA Shop 2014 Module.

- WU-M-484-827;
- WU-M-484-830;
- WU-M-484-835;
- WU-M-484-840;
- WU-M-485-827;
- WU-M-485-830;
- WU-M-485-835;
- WU-M-485-840;
- WU-M-486-827;
- WU-M-486-830;
- WU-M-486-835;
- WU-M-486-840;

For the LUGA Shop 2014 PW Module.

- WU-M-484-831-PW;
- WU-M-485-831-PW;
- WU-M-486-831-PW;

For the LUGA Shop 2014 HiCRI LED Module.

- WU-M-484-927;
- WU-M-484-930;
- WU-M-484-935;
- WU-M-484-940;
- WU-M-485-927;
- WU-M-485-930;
- WU-M-485-935;
- WU-M-485-940;
- WU-M-486-927;
- WU-M-486-930;
- WU-M-486-935;
- WU-M-486-940;

For the LUGA Shop 2014 PW Module.

- WU-M-484-931-PW;
- WU-M-485-931-PW;
- WU-M-486-931-PW;

Zhaga Book3 Red indicator marks:

Direct mounting with machine screws M3x8mm;

Tel:+86-769-39023131

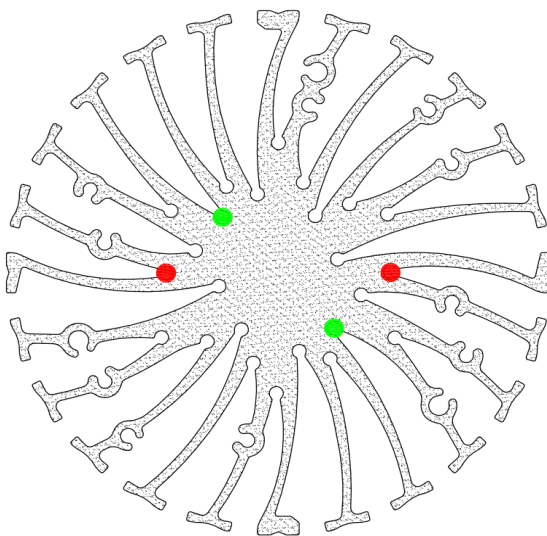
E-fax:+86-(020)28819702 ext:22122

Email:sales@mingfatech.com

Http://www.heatsinkled.com

Http://www.mingfatech.com





Vossloh-Schwabe LED engines for which Zhaga book3 LED Modules holders are available.

For the LUGA Shop 2014 FOOD LED engines and the holder.

WU-M-486-Ga30;  
WU-M-486-Ga40;  
WU-M-486-Meat;  
WU-M-486-SMeat;

For the LUGA C 2015 LED engines.

(AAG.STUCCHI holder:8101-G2); (BJB holder:47.319.2021.50);

DMC104Cxxx;  
DMC115Cxxx;  
DMC118Cxxx;

For the LUGA Shop 2014 PCB LED engines and the holder.

DMS088C27E1;  
DMS088C30E1;  
DMS088C35E1;  
DMS088C40E1;  
DMS158C27E1;  
DMS158C30E1;  
DMS158C35E1;  
DMS158C40E1;  
DMS128C27E1;  
DMS128C30E1;  
DMS128C35E1;  
DMS128C40E1;

For the LUGA Shop 2014 PCB PW LED engines and the holder.

DMS088C31EP1;  
DMS128C31EP1;  
DMS158C31EP1;

For the LUGA Shop 2014 PCB HiCRI LED engines and the holder.

DMS088D27E1;  
DMS088D30E1;  
DMS088D35E1;  
DMS088D40E1;  
DMS158D27E1;  
DMS158D30E1;  
DMS158D35E1;  
DMS158D40E1;  
DMS128D27E1;  
DMS128D30E1;  
DMS128D35E1;  
DMS128D40E1;

For the LUGA Shop 2014 PCB PW LED engines and the holder.

DMS088D31EP1;  
DMS128D31EP1;  
DMS158D31EP1;

For the LUGA Shop 2014 PCB FOOD LED engines and the holder.

DMS158G30E1;  
DMS158G40E1;  
DMS158P40E1;  
DMS158P19E1

Zhaga Book3 Red indicator marks:

Direct mounting with machine screws M3x6mm;

Please refer to the "www.vossloh-schwabe.com" data provided on the manual.



for

LED



EtraLED

EtraLED-VOS-8580 Vossloh Schwabe Modular Passive Star LED Heat Sink  $\Phi$ 85mm

Mounting Options and Drawings & Dimensions



A. A. G. STUCCHI  
ideas are made of light

Example: EtraLED -VOS-8580-B-3

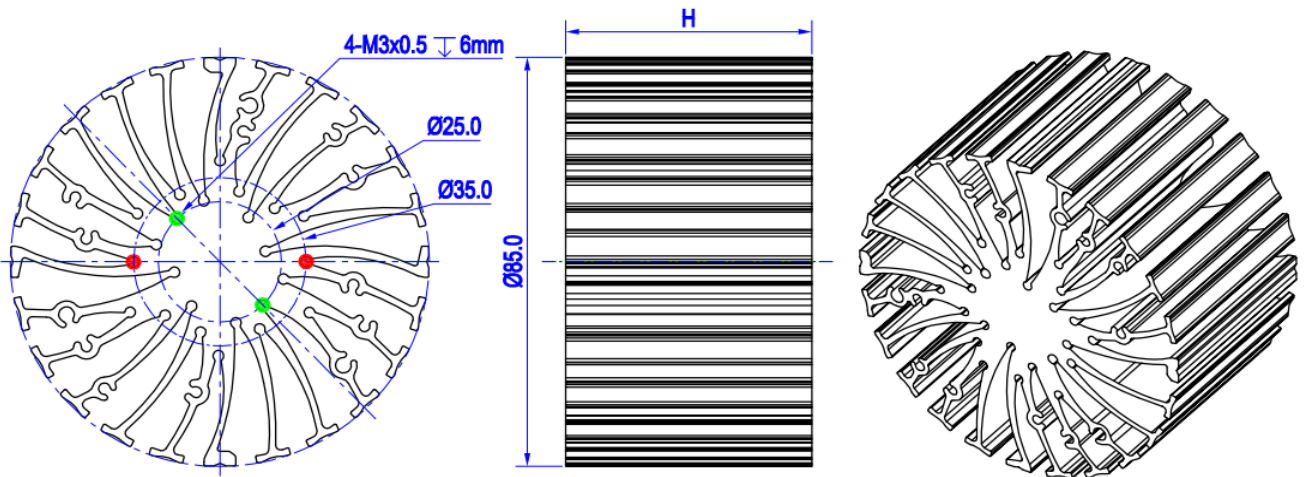
Example: EtraLED -VOS-85 **1** - **2** - **3**

- 1** Height (mm)
- 2** Anodising Color  
B-Black  
C-Clear  
Z-Custom
- 3** Mounting Options - see graphics for details Combinations available  
Ex.order code - 12  
means option 1 and 2 combined

Notes:

- Mentioned models are an extraction of full product range.
- For specific mechanical adaptations please contact MingfaTech.
- MingfaTech reserves the right to change products or specifications without prior notice.

MOUNTING OPTION	Module type	Holder NO.	THREAD	THREAD DEPTH	THREAD HOLE DISTANCE
1	LUGA C	BJB (47.319.6060.50)	M3	8mm	25.0mm/ 2-@180°
		AAG.STUCCHI (8100-G2)			
2	LUGA C	BJB (47.319.2021.50)	M3	8mm	35.0mm/ 2-@180°
		AAG.STUCCHI (8101-G2)			
	LUGA Shop 2014 PCB	Vossloh-Schwabe			
	LUGA Shop 2014	/			





*EtraLED*

EtraLED-VOS-8580 Vossloh Schwabe Modular Passive Star LED Heat Sink  $\Phi$ 85mm

The thermal data table

	 <i>EtraLED-8580</i>
<b>Model No.</b>	EtraLED-VOS-8580
<b>Size</b>	$\Phi$ 85xH80mm
<b>Material</b>	AL6063-T5
<b>Finish</b>	Black Anodized
<b>Weight(gr)</b>	458.0
<b>Thermal Wattage</b>	38.0W
<b>HeatsinkOs-a<sup>2</sup></b>	148458
<b>Heat Sink T Rise Above Ambient</b>	1.3

Dissipated Power Pd(W)	Pd = Pe x (1- $\eta$ L)	Heat sink to ambient thermal resistance Rhs-amb (°C/W)	Heat sink to ambient temperature rise Ths-amb (°C)
		EtraLED-VOS-8580	EtraLED-VOS-8580
10		1.9	19
15		1.7	26
20		1.6	32
25		1.5	37
30		1.4	43
35		1.4	48
40		1.3	53
50		1.2	62

