



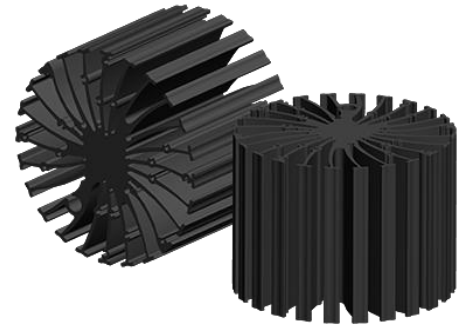
# Mingfa TECH for LED

**EtraLED**

**EtraLED-OSR-11050 Osram Modular Passive Star LED Heat Sink  $\Phi$ 110mm**

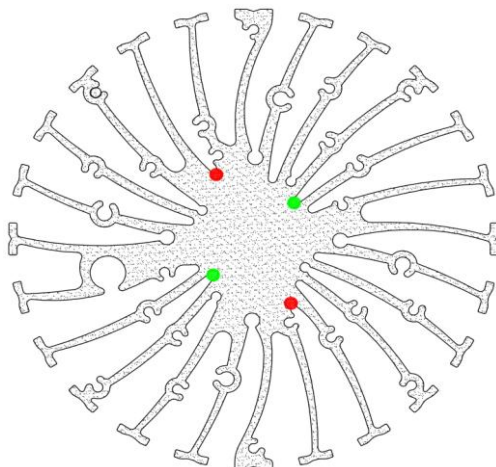
## Features VS Benefits

- \* The EtraLED-OSR-11050 Osram Modular Passive Star LED Heat Sinks are specifically designed for luminaires using the Osram LED engines.
- \* Mechanical compatibility with direct mounting of the LED engines to the LED cooler and thermal performance matching the lumen packages.
- \* For spotlight and downlight designs from 2200 to 5500 lumen.
- \* Thermal resistance range  $R_{th}$  1.1°C/W.
- \* Modular design with mounting holes foreseen for direct mounting of Osram SOLERIQ P9, SOLERIQ S13 and SOLERIQ S19 LED engines.
- \* Diameter 110mm - standard height 50mm Other heights on request.
- \* Extruded from highly conductive aluminum.



## Zhaga LED engine and radiator assembly is a unified future international standardization

- \* Below you find an overview of Osram COB's and LED modules which standard fit on the EtraLED Star LED Heat Sinks.
- \* In this way mechanical after work and related costs can be avoided, and lighting designers can standardize their designs on a limited number of Star LED Heat Sinks.



### Osram LED engines for which Zhaga book3 LED Modules holders are available.

For the Osram SOLERIQ S19 LED modules.  
(AAG.STUCCHI holder:8503-G2); (BJB holder:47.319.2170.50);

- |                         |                         |
|-------------------------|-------------------------|
| GW KAHLB1.EM-TQTS-27S3; | GW KAHLB1.EM-SUTQ-27S3; |
| GW KAHLB1.EM-TQTT-30S3; | GW KAHLB1.EM-TPTR-30S3; |
| GW KAHLB1.EM-TRTT-35S3; | GW KAHLB1.EM-TPTR-35S3; |
| GW KAHLB1.EM-TRTU-40S3; | GW KAHLB1.EM-TQTS-40S3; |
| GW KAHNB1.CM-TSTU-27S3; | GW KAHNB1.EM-TUUQ-27S3; |
| GW KAHNB1.CM-TSTU-30S3; | GW KAHNB1.EM-TUUR-30S3; |
| GW KAHNB1.CM-TTUP-35S3; | GW KAHNB1.EM-UPUR-35S3; |
| GW KAHNB1.CM-TUUQ-40S3; | GW KAHNB1.EM-UPUS-40S3; |

Zhaga Book3 Red indicator marks:  
Direct mounting with machine screws M3x8mm;

For the Osram SOLERIQ P13 modules.  
(BJB holder:47.319.2131.50);

- |                         |                         |
|-------------------------|-------------------------|
| GW MAGMB1.CM-SUTR-27S3; | GW MAGMB1.EM-TQTT-27S3; |
| GW MAGMB1.CM-TPTS-30S3; | GW MAGMB1.EM-TRTU-30S3; |
| GW MAGMB1.CM-TPTS-35S3; | GW MAGMB1.EM-TSUP-35S3; |
| GW MAGMB1.CM-TQTT-40S3; | GW MAGMB1.EM-TSUP-40S3; |
|                         | GW MAGMB1.EM-TSUP-50S3; |

Zhaga Book3 Red indicator marks:  
Direct mounting with machine screws M3x8mm;

For the Osram PrevaLED Core Z3 LED modules.

- PL-CORE -5000-830-Z3;
- PL-CORE -5000-840-Z3;
- PL-CORE -5000-930-Z3

Zhaga Book3 Red indicator marks:  
Direct mounting with machine screws M3x8mm;

For the Osram PrevaLED Core Z4 LED modules.

- |                       |                       |
|-----------------------|-----------------------|
| PL-CORE-Z4 -4500-930; | PL-CORE-Z4 -5000-835; |
| PL-CORE-Z4 -5000-830; | PL-CORE-Z4 -5000-840; |

Zhaga Book3 Red indicator marks:  
Direct mounting with machine screws M3x8mm;



for

LED



*EtraLED*

EtraLED-OSR-11050 Osram Modular Passive Star LED Heat Sink  $\Phi$ 110mm

**Mounting Options and Drawings & Dimensions**

Example: EtraLED-OSR-11050-B-3

Example: EtraLED-OSR-110 **1** - **2** - **3**

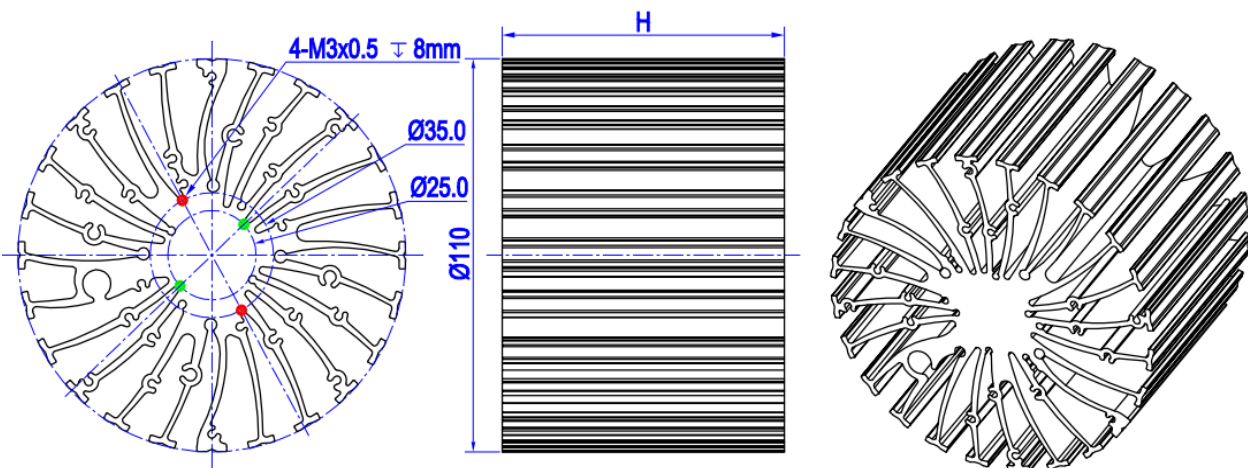
- 1** Height (mm)
- 2** Anodising Color  
B-Black  
C-Clear  
Z-Custom
- 3** Mounting Options - see graphics for details Combinations available  
Ex.order code - 12  
means option 1 and 2 combined

**Notes:**

- Mentioned models are an extraction of full product range.
- For specific mechanical adaptations please contact MingfaTech.
- MingfaTech reserves the right to change products or specifications without prior notice.



MOUNTING OPTION	Module type	Holder NO.	THREAD	THREAD DEPTH	THREAD HOLE DISTANCE
1	SOLERIQ P9	AAG.STUCCHI (8501-G2)	M3	8mm	25.0mm/ 2-@180°
		BJB (47.319.6200.50)			
	SOLERIQ S13	BJB (47.319.6111.50)			
2	SOLERIQ S19	AAG.STUCCHI (8503-G2)	M3	8mm	35.0mm/ 2-@180°
		BJB (47.319.2170.50)			
	SOLERIQ P13	BJB (47.319.2131.50)			
	PrevaLED Core	/			



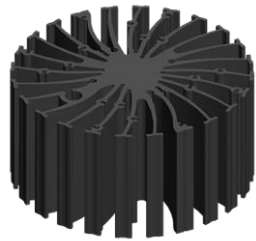
for

LED

*EtraLED*

EtraLED-OSR-11050 Osram Modular Passive Star LED Heat Sink  $\Phi$ 110mm

The thermal data table

	 <i>EtraLED-11050</i>
<b>Model No.</b>	<b>EtraLED-OSR-11050</b>
<b>Size</b>	<b><math>\Phi</math>110xH50mm</b>
<b>Material</b>	<b>AL6063-T5</b>
<b>Finish</b>	<b>Black Anodized</b>
<b>Weight(gr)</b>	<b>414.0</b>
<b>Thermal Wattage</b>	<b>48.0W</b>
<b>Heatsink<math>\Theta</math>s-a<sup>2</sup></b>	<b>124084</b>
<b>Heat Sink T Rise Above Ambient</b>	<b>1.1</b>

	Pd = Pe x (1- $\eta$ L)	Heat sink to ambient thermal resistance Rhs-amb ( $^{\circ}$ C/W)	Heat sink to ambient temperature rise T <sub>hs-amb</sub> ( $^{\circ}$ C)
		EtraLED-OSR-11050	EtraLED-OSR-11050
Dissipated Power Pd(W)	5	3.4	17.5
	15	1.43	21.5
	20	1.32	26.4
	25	1.21	30.3
	30	1.32	39.6
	35	1.2	40.3
	40	1.15	45
	45	1.1	48.5
	50	1.05	52.5

