



for

LED

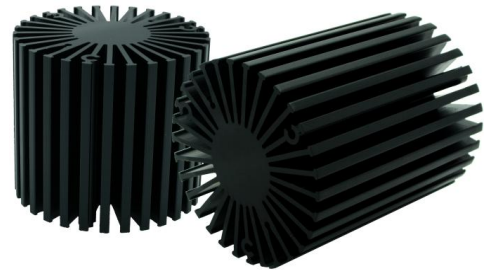


SimpLED

SimpLED-LUME-5870 for Lumens Modular Passive LED Cooler Φ 58mm

Features VS Benefits

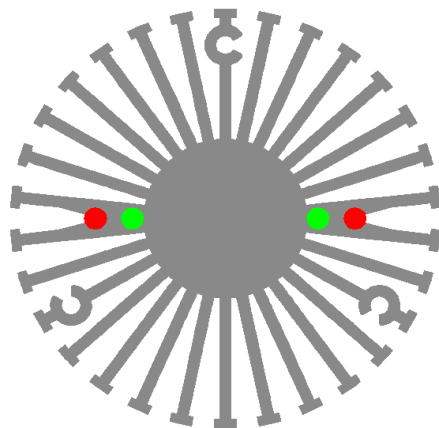
- * The SimpLED-LUME-5870 Lumens Modular Passive LED Coolers are specifically designed for luminaires using the Lumens LED engines.
- * Mechanical compatibility with direct mounting of the LED engines to the LED cooler and thermal performance matching the lumen packages.
- * For spotlight and downlight designs from 300 to 1600 lumen.
- * Thermal resistance range Rth 2.9°C/W.
- * Modular design with mounting holes foreseen for direct mounting of Lumens ERC1507 ,ERC1512 and AC-ALL series LED engines.
- * Diameter 58mm - standard height 70mm Other heights on request.
- * Extruded from highly conductive aluminum.



Lumens LED engine and radiator assembly directly Mounting Options

- * Below you find an overview of Lumens COB's and LED modules which standard fit on the SimpLED coolers.
- * In this way mechanical after work and related costs can be avoided, and lighting designers can standardize their designs on a limited number of LED coolers.

LUMENS



Lumens LED engines for which Zhaga LED Modules holders are available.

For the ERC1507/1512 LED engines.

- | | |
|----------------|----------------|
| ERC1507S827HE; | ERC1512S827HE; |
| ERC1507S830HE; | ERC1512S830HE; |
| ERC1507S835HE; | ERC1512S835HE; |
| ERC1507S840HE; | ERC1512S840HE; |
| ERC1507S850HE; | ERC1512S850HE; |
| ERC1507S927HE; | ERC1512S927HE; |
| ERC1507S930HE; | ERC1512S930HE; |
| ERC1507S935HE; | ERC1512S935HE; |

Mounting with machine screws M3x8mm;

NO.1:With Zhaga Book 3 LED holder for red indicator marks.

(Ideal Holder:50-2001CR);

NO.2:With Zhaga Book 11 LED holder for gree indicator marks.

(BJB holder:47.319.6101.50);

(AAG.STUCCHI 8400-G2);

Please refer to the www.lumensleds.com data provided on the manual.

For the AC-ALL series LED engines.

- | | |
|-------------------------|-------------------------|
| EDC/47C/9W/XXX/230V/A; | EDC/47C/9W/XXX/120V/B; |
| EDC/47C/10W/XXX/230V/A; | EDC/47C/10W/XXX/120V/B; |
| EDC/57C/10W/XXX/230V/A; | EDC/57C/10W/XXX/120V/B; |
| EDC/47C/12W/XXX/230V/A; | EDC/47C/12W/XXX/120V/B; |

Mounting with machine screws M3x10mm;

With Zhaga Book 3 Lumens LED holder for red indicator marks.

Please refer to the www.lumensleds.com data provided on the manual.



SimploLED

SimploLED-LUME-5870 for Lumens Modular Passive LED Cooler Ø58mm

Mounting Options and Drawings & Dimensions

Example: SimploLED-LUME-5870-B-3

Example: SimploLED-LUME-58 **1** - **2** - **3**

1 Height (mm)

2 Anodising Color

B-Black

C-Clear

Z-Custom

3 Mounting Options - see graphics for details Combinations available

Ex.order code - 12

means option 1 and 2 combined

Notes:

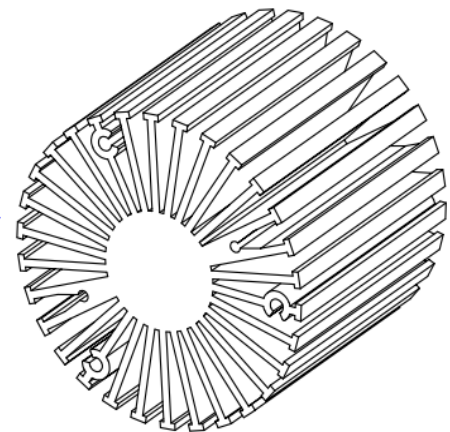
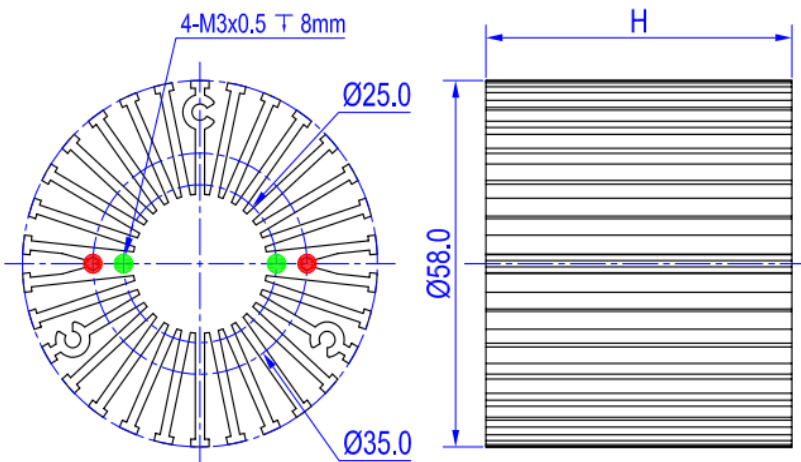
- Mentioned models are an extraction of full product range.
- For specific mechanical adaptations please contact MingfaTech.
- MingfaTech reserves the right to change products or specifications without prior notice.

LUMENS



STUCCHI
ideas are made of light

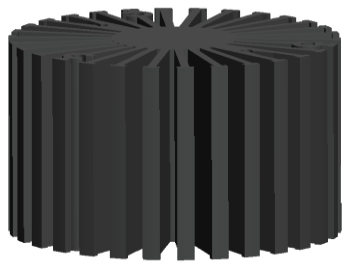
MOUNTING OPTION	Module type	Holder NO.	THREAD	THREAD DEPTH	THREAD HOLE DISTANCE
1	ERC1507; ERC1512;	AAG.STUCCHI 8400-G2	M3	8mm	25.0mm/ 2-@180°
		BJB 47.313.6101.50			
2	ERC1507; ERC1512;	Ideal Holde 50-2001CR	M3	8mm	35.0mm/ 2-@180°
		AC-ALL Lumens			



SimpLED

SimpLED-LUME-5870 for Lumens Modular Passive LED Cooler Φ 58mm

The thermal data table

	 <i>SimpLED-5870</i>
Model No.	SimpLED-LUME-5870
Size	Φ58xH70mm
Material	AL6063-T5
Finish	Black Anodized
Weight(gr)	244.0
Thermal Wattage	15.5W
HeatsinkOs-a²	90020
Heat Sink T Rise Above Ambient	2.9

	Pd = Pe x (1- η L)	Heat sink to ambient thermal resistance Rhs-amb (°C/W)	Heat sink to ambient temperature rise Ths-amb (°C)
		SimpLED-LUME-5870	SimpLED-LUME-5870
Dissipated Power Pd(W)	4.0	4.00	16.0
	8.0	3.50	28.0
	12.0	3.12	37.5
	16.0	2.90	46.5
	20.0	2.76	55.3

