

SimpoleD

SimpoleD-LUME-13580 for Lumens Modular Passive LED Cooler Φ 135mm

Features VS Benefits

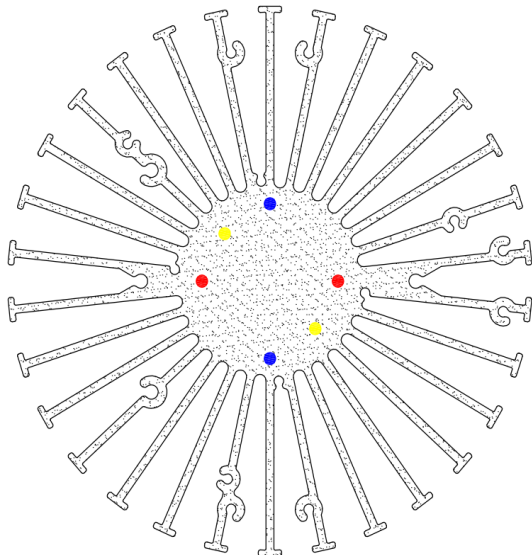
- * The SimpoleD-LUME-13580 Lumens Modular Passive LED Coolers are specifically designed for luminaires using the Lumens LED engines.
- * Mechanical compatibility with direct mounting of the LED engines to the LED cooler and thermal performance matching the lumen packages.
- * For spotlight and downlight designs from 2400 to 8000 lumen.
- * Thermal resistance range Rth 0.55°C/W.
- * Modular design with mounting holes foreseen for direct mounting of Lumens ERC2530, ERC2540, ERC3050 and ERC3070 LED engines.
- * Diameter 135mm - standard height 80mm Other heights on request.
- * Extruded from highly conductive aluminum.



Lumens LED engine and radiator assembly directly Mounting Options

- * Below you find an overview of Lumens COB's and LED modules which standard fit on the SimpoleD coolers.
- * In this way mechanical after work and related costs can be avoided, and lighting designers can standardize their designs on a limited number of LED coolers.

LUMENS



Lumens LED engines for which Zhaga LED Modules holders are available.

For the ERC2530/2540 LED engines.

- | | |
|----------------|----------------|
| ERC2530S8xxHE; | ERC2540S8xxHE; |
| ERC2530S9xxHE; | ERC2540S9xxHE; |

Mounting with machine screws M3x6mm;
 NO.1:With Zhaga Book 3 LED holder for red indicator marks.
 (Ideal Holder:50-2102CR);
 (BJB Holder:47.319.2141.50);
 (AAG.STUCCHI holder:8401-G2);
 NO.2:Without the LED holder for yellow indicator marks.

For the ERC3050 LED engines.

- | |
|----------------|
| ERC3050S8xxHE; |
| ERC3050S9xxHE; |

For the ERC3070 LED engines.

- | |
|----------------|
| ERC3070S8xxHE; |
| ERC3070S9xxHE; |

Mounting with machine screws M3x6mm;
 NO.1:With Zhaga Book 3 LED holder for red indicator marks.
 (Ideal Holder:50-2234C);
 (BJB holder:47.319.2151.50);
 NO.2:Without the LED holder for blue indicator marks.

Please refer to the www.lumensleds.com data provided on the manual.

SimpoleD

SimpoleD-LUME-13580 for Lumens Modular Passive LED Cooler Φ 135mm

Mounting Options and Drawings & Dimensions

Example: SimpoleD-LUME-13580-B-3

Example: SimpoleD-LUME-135 **1** - **2** - **3**

1 Height (mm)

2 Anodising Color

B-Black

C-Clear

Z-Custom

3 Mounting Options - see graphics for details

Combinations available

Ex.order code - 12

means option 1 and 2 combined

Notes:

- Mentioned models are an extraction of full product range.
- For specific mechanical adaptations please contact MingfaTech.
- MingfaTech reserves the right to change products or specifications without prior notice.

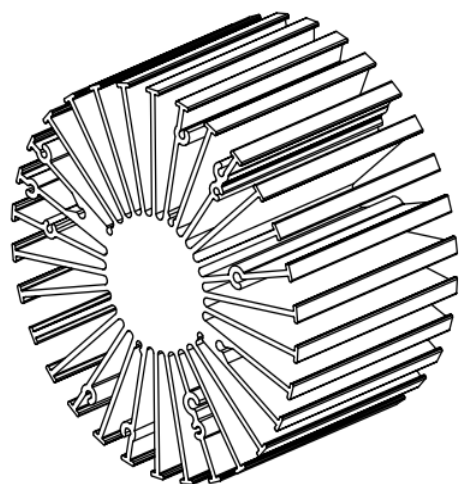
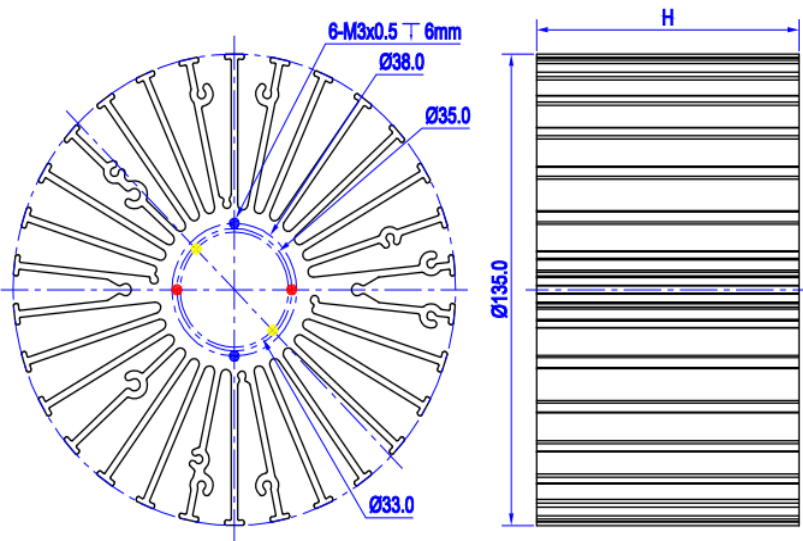
MOUNTING OPTION	Module type	Holder NO.	THREAD	THREAD DEPTH	THREAD HOLE DISTANCE
1	ERC2530 ERC2540	/	M3	6mm	33.0mm/ 2-@180°
2	ERC2530 ERC2540	Ideal 50-2102CR	M3	6mm	35.0mm/ 2-@180°
		BJB 47.313.2141.50			
ERC3050 ERC3070	AAG. 8401-G2				
	Ideal 50-2234C				
3	ERC3050 ERC3070	/	M3	6mm	38.0mm/ 2-@180°

LUMENS

BJB

IDEAL

A.A.G.
STUCCHI
Ideas are made of light



SimpoleD

SimpoleD-LUME-13580 for Lumens Modular Passive LED Cooler Φ 135mm

The thermal data table

	
	<i>SimpoleD-13580</i>
Model No.	SimpoleD-LUME-13580
Size	Φ135xH80mm
Material	AL6063-T5
Finish	Black Anodized
Weight(g)	1020.0
Thermal Wattage	69.8W
HeatsinkΘs-a²	243322
Heat Sink T Rise Above Ambient	0.55

	Pd = Pe x (1- η L)	Heat sink to ambient thermal resistance Rhs-amb ($^{\circ}$ C/W)	Heat sink to ambient temperature rise Ths-amb ($^{\circ}$ C)
		SimpoleD-LUME-13580	SimpoleD-LUME-13580
Dissipated Power Pd(W)	15.0	0.86	13.0
	30.0	0.74	22.4
	45.0	0.68	30.8
	60.0	0.64	38.6
	75.0	0.61	46.0
	90.0	0.59	53.1

