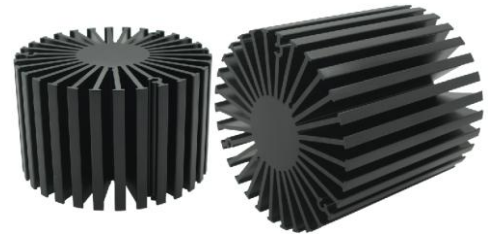


*SimpoleLED*

**SimpoleLED-OSR-8150 for OSRAM Modular Passive LED Cooler  $\Phi$ 81mm**

**Features VS Benefits**

- \* The SimpoleLED-OSR-8150 OSRAM Modular Passive LED Coolers are specifically designed for luminaires using the OSRAM LED engines.
- \* Mechanical compatibility with direct mounting of the LED engines to the LED cooler and thermal performance matching the lumen packages.
- \* For spotlight and downlight designs from 900 to 2700 lumen.
- \* Thermal resistance range Rth 1.9°C/W.
- \* Modular design with mounting holes foreseen for direct mounting of OSRAM PrevaLED Core , SOLERIQ P and SOLERIQ S LED engines.
- \* Diameter 81mm - standard height 50mm Other heights on request.
- \* Extruded from highly conductive aluminum.



**Zhaga LED engine and radiator assembly is a unified future international standardization**

- \* Below you find an overview of OSRAM engines COB's and LED modules which standard fit on the SimpoleLED coolers.
- \* In this way mechanical after work and related costs can be avoided, and lighting designers can standardize their designs on a limited number of LED coolers.



**OSRAM LED engines Mounting Options**

**Osram PrevaLED Core AC LED modules.**

- |                           |                     |
|---------------------------|---------------------|
| PL-CORE AC -2000-827;     | LEP -2000-827-C-AC; |
| PL-CORE AC -2000-830;     | LEP -2000-830-C-AC; |
| PL-CORE AC -2000-840;     | LEP -2000-840-C-AC; |
| PL-CORE AC PRO -2000-830; |                     |
| PL-CORE AC PRO -2000-840; |                     |

**Osram PrevaLED Core Z3 LED modules.**

- |                       |                       |
|-----------------------|-----------------------|
| PL-CORE -2000-830-Z3; | PL-CORE -3000-830-Z3; |
| PL-CORE -2000-840-Z3; | PL-CORE -3000-840-Z3; |
| PL-CORE -2000-930-Z3; |                       |

**Osram PrevaLED Core Z4 LED modules.**

- |                       |                       |
|-----------------------|-----------------------|
| PL-CORE-Z4 -2000-827; | PL-CORE-Z4 -3000-827; |
| PL-CORE-Z4 -2000-830; | PL-CORE-Z4 -3000-830; |
| PL-CORE-Z4 -2000-835; | PL-CORE-Z4 -3000-835; |
| PL-CORE-Z4 -2000-840; | PL-CORE-Z4 -3000-840; |
| PL-CORE-Z4 -2000-930; |                       |

**Osram SOLERIQ S19 LED modules.**

(AAG.STUCCHI holder:8503-G2); (BJB holder:47.319.2170.50);

- |                         |                         |
|-------------------------|-------------------------|
| GW KAHJB1.EM-SSSU-27S3; | GW KAHJB1.EM-SQSS-27S3; |
| GW KAHJB1.EM-SSSU-30S3; | GW KAHJB1.EM-SQSS-30S3; |
| GW KAHJB1.EM-STTP-35S3; | GW KAHJB1.EM-SRST-35S3; |
| GW KAHJB1.EM-STTP-40S3; | GW KAHJB1.EM-SRST-40S3; |

**Zhaga Book3 Green indicator marks:**

Direct mounting with machine screws M3x6mm;

**Osram SOLERIQ P9 modules.**

(AAG.STUCCHI holder:8501-G2); (BJB holder:47.319.6200.50);

- |                         |                         |
|-------------------------|-------------------------|
| GW MAFJB1.EM-RTSQ-27S3; | GW MAFJB1.CM-RSSP-27S3; |
| GW MAFJB1.EM-RUSR-30S3; | GW MAFJB1.CM-RTSQ-30S3; |
| GW MAFJB1.EM-RUSS-35S3; | GW MAFJB1.CM-RTSR-35S3; |
| GW MAFJB1.EM-SPST-40S3; | GW MAFJB1.CM-RUSS-40S3; |
| GW MAFJB1.EM-SPST-50S3; |                         |

**Zhaga Book11 Red indicator marks:**

Direct mounting with machine screws M3x6mm;

*SimpoLED*

SimpoLED-OSR-8150 for OSRAM Modular Passive LED Cooler  $\Phi$ 81mm

**Mounting Options and Drawings & Dimensions**

Example: SimpoLED-OSR-8150-B-3

Example: SimpoLED-OSR-81 **1** - **2** - **3**

- 1** Height (mm)
- 2** Anodising Color  
B-Black  
C-Clear  
Z-Custom
- 3** Mounting Options - see graphics for details Combinations available  
Ex.order code - 12  
means option 1 and 2 combined

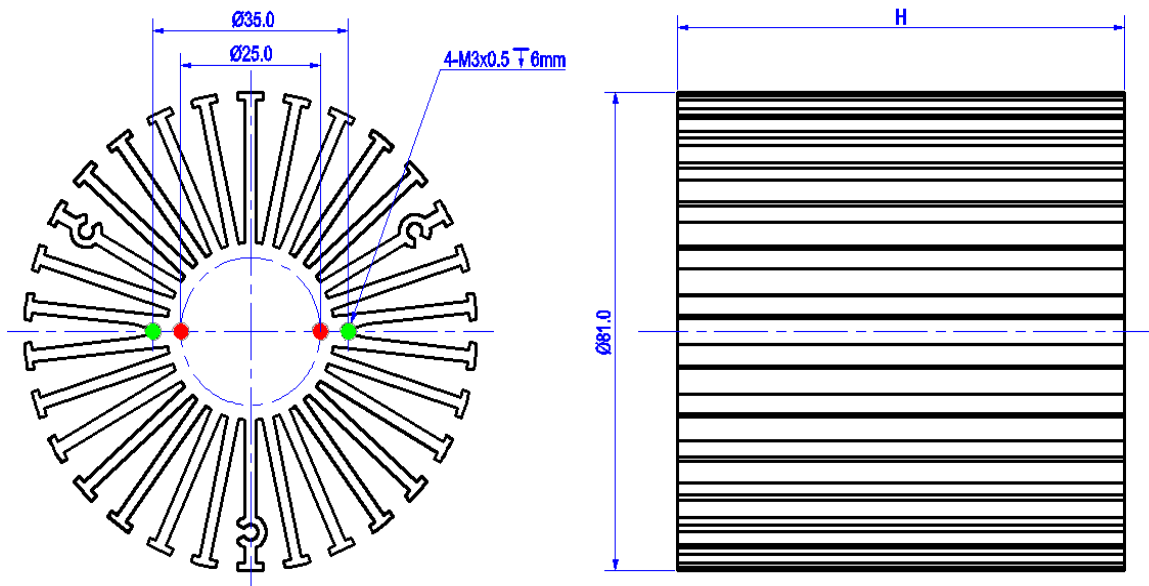


A. A. G. STUCCHI  
ideas are made of light

Notes:

- Mentioned models are an extraction of full product range.
- For specific mechanical adaptations please contact MingfaTech.
- MingfaTech reserves the right to change products or specifications without prior notice.

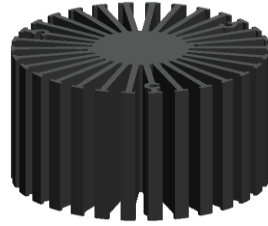
MOUNTING OPTION	Module type	Holder NO.	THREAD	THREAD DEPTH	THREAD HOLE DISTANCE
1	SOLERIQ P9	AAG.STUCCHI: 8501-G2	M3	6mm	25.0mm/ 2-@180°
		BJB: 47.319.6200.50			
2	PrevaLED Core AC	/	M3	6mm	35.0mm/ 2-@180°
	PrevaLED Core Z3				
	PrevaLED Core Z4				
	SOLERIQ S19				
		AAG.STUCCHI: 8503-G2	M3		
		BJB: 47.319.2170.50			



*SimpoleD*

SimpoleD-OSR-8150 for OSRAM Modular Passive LED Cooler  $\Phi$ 81mm

The thermal data table

	 <i>SimpoleD-8150</i>
<b>Model No.</b>	<b>SimpoleD-OSR-8150</b>
<b>Size</b>	<b><math>\Phi</math>81xH50mm</b>
<b>Material</b>	<b>AL6063-T5</b>
<b>Finish</b>	<b>Black Anodized</b>
<b>Weight(g)</b>	<b>318.0</b>
<b>Thermal Wattage</b>	<b>26.5W</b>
<b>HeatsinkOs-a<sup>2</sup></b>	<b>94517</b>
<b>Heat Sink T<sub>Rise</sub> Above Ambient</b>	<b>1.9</b>

Dissipated Power Pd(W)	Pd = Pe x (1- $\eta$ L)	Heat sink to ambient thermal resistance Rhs-amb ( $^{\circ}$ C/W)	Heat sink to ambient temperature rise Ths-amb ( $^{\circ}$ C)
		SimpoleD-OSR-8150	SimpoleD-OSR-8150
6.0		2.60	15.6
12.0		2.18	26.2
18.0		1.97	35.6
24.0		1.83	44.0
30.0		1.72	51.8

