

GERNERAL SPECIFICATIONS

Step Angle(Accuracy)----- 1.8°(±5%)
 Resistance Accuracy ----- ±10%
 Inductance Accuracy ----- ±20%
 Temperature Rise ----- 80°C Max.
 Ambient Temperature ----- -10°C~50°C
 Insulation Resistance ----- 100Mohm Min, 50VDC
 Dielectric Strength ----- 500VAC for one minute
 Shaft Radial Play ----- 0.06Max. (450 g-load)
 Shaft Axial Play ----- 0.08Max.(450 g-load)

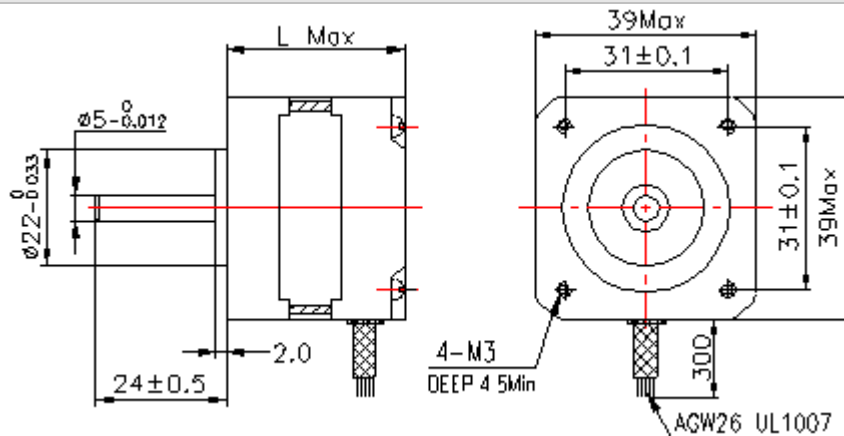
Picture



Electrical Specification

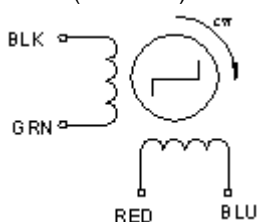
Series Model	Step Angle (°)	L (mm)	Rated Current (A)	Phase Resistance (Ω)	Phase Inductance (mH)	Holding Torque (N.cm)	Detent Torque (N.cm)	Lead Wire (NO.)	Motor Weight (g)
H391-00804	1.8	20	0.42	18	12	8	0.5	4	100
H391-01406	1.8	26	0.6	9	10	14	0.8	4	120
H391-01806	1.8	34	0.6	12	13	18	1.0	4	160
H391-01612	1.8	34	1.2	3.2	3.0	16	1.0	4	160
H391-01204	1.8	34	0.4	30	14	12	1.0	6	160
H391-02406	1.8	40	0.6	12	20	24	1.2	4	210
H391-02412	1.8	40	1.2	3.8	6.5	24	1.2	4	210
H391-01804	1.8	40	0.4	30	22	18	1.2	4	210

Mechanical Dimensions

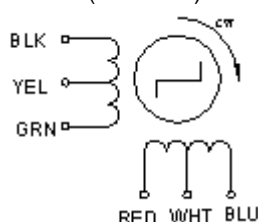


Standard Leadwire Configuration

BI-POLAR(4 LEADS)



UNI-POLAR(6 LEADS)



Complementary Products:

- Special shaft
- Encoders
- Connector
- Long leadwires