



for

LED

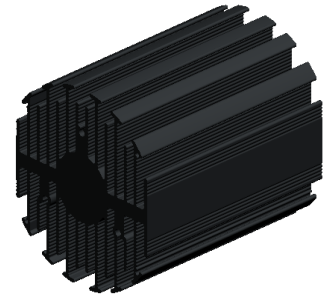


eLED

### eLED-LUS-7080 Lustrous Modular Passive Star LED Heat Sink $\Phi$ 70mm

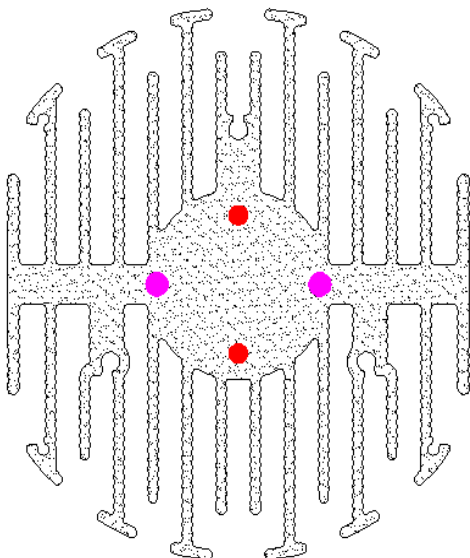
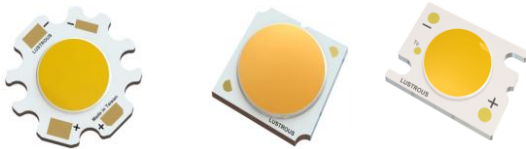
#### Features VS Benefits

- \* The eLED-LUS-7080 Lustrous Modular Passive LED Coolers are specifically designed for luminaires using the Lustrous LED engines.
- \* Mechanical compatibility with direct mounting of the LED engines to the LED cooler and thermal performance matching the lumen packages.
- \* For spotlight and downlight designs from 1200 to 3000 lumen.
- \* Thermal resistance range  $R_{th}$  1.77°C/W.
- \* Modular design with mounting holes foreseen for direct mounting of Lustrous COB M series, LUSTRON series, Coral series, LUSTRON 5 series, LUSTRON 6 series engines.
- \* Diameter 70mm - standard height 80mm Other heights on request.
- \* Extruded from highly conductive aluminum.



- \* Below you find an overview of Lustrous COB's which standard fit on the eLED coolers.
- \* In this way mechanical after work and related costs can be avoided, and lighting designers can standardize their designs on a limited number of LED coolers.

## LUSTROUS Green Technology of Lighting



#### Lustrous COB Modules Mounting Options

##### M series COB Modules Name :

M105xxPBxx ;  
M107xxPExx ;  
M109xxPFxx ;

##### LUSTRON series COB Modules Name :

L104xxCHxx ;  
L106xxLCxx ;  
L112xxLHxx ;

##### LUSTRON 5 series COB Modules Name :

L505xxQCxx ;

##### LUSTRON 6 series COB Modules Name :

LL604F1202-xxx ;  
LL608D1202-xxx ;

Direct Mounting with 2 screws M2.5 x 6mm;  
Red indicator marks.

##### Coral series COB Modules Name:

C108xxPFxx ;  
C113xxPGxx ;  
C620xxPIxx ;

Direct Mounting with 2 screws M3x 6mm;  
Pink indicator marks.

eLED

eLED-LUS-7080 Lustrous Modular Passive Star LED Heat Sink  $\Phi 70\text{mm}$

## Mounting Options and Drawings & Dimensions

Example: eLED-LUS-7080-B-1

Example: eLED-LUS-70 **1** - **2** - **3**

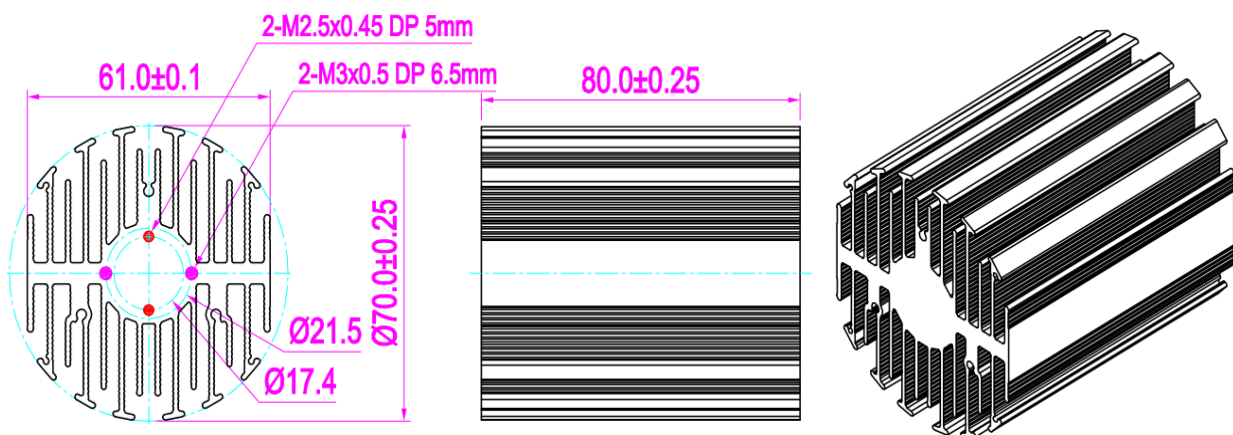
- 1** Height (mm)
- 2** Anodising Color  
B-Black  
C-Clear  
Z-Custom
- 3** Mounting options;  
On request;  
Mounting holes, cable holes;  
Screw thread, thermal interface pad.

**LUSTROUS**  
Green Technology of Lighting

### Notes:

- Mentioned models are an extraction of full product range.
- For specific mechanical adaptations please contact MingfaTech.
- MingfaTech reserves the right to change products or specifications without prior notice.

MOUNTING OPTION	Module type	Holder NO.	THREAD	THREAD DEPTH	THREAD HOLE DISTANCE
1	M105xxPBxx; M107xxPExx; M109xxPFxx; L104xxCHxx; L106xxLCxx; L112xxLHxx; L505xxQCxx; LL604F1202-xxx ; LL608D1202-xxx ;	/	M2.5	5mm	17.4mm/ 2-@180°
2	C108xxPFxx; C113xxPGxx; C620xxPIxx ;	/	M3	6.5mm	21.5mm/ 2-@180°



eLED

eLED-LUS-7080 Lustrous Modular Passive Star LED Heat Sink  $\Phi$ 70mm

The thermal data table

	 <i>eLED-7080</i>
<b>Model No.</b>	<b>eLED-LUS-7080</b>
<b>Size</b>	<b><math>\Phi</math>70xH80mm</b>
<b>Material</b>	<b>AL6063-T5</b>
<b>Finish</b>	<b>Black Anodized</b>
<b>Weight(g)</b>	<b>329</b>
<b>Thermal Wattage</b>	<b>28.2W</b>
<b>HeatsinkOs-a<sup>2</sup></b>	<b>115563</b>
<b>Heat Sink T Rise Above Ambient</b>	<b>1.77</b>

Dissipated Power Pd(W)	Heat sink to ambient thermal resistance Rhs-amb (°C/W)		Heat sink to ambient temperature rise Ths-amb (°C)	
	eLED-LUS-7080			
6	2.5		15	
12	2.2		26	
18	1.9		34	
24	1.8		43	
30	1.7		51	

