

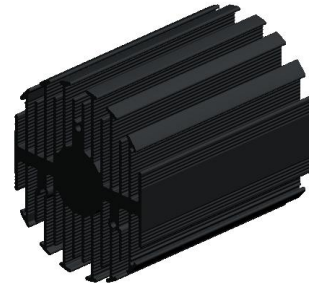


eLED

eLED -VOS-7080 Vossloh-Schwabe Modular Passive LED Heat Sink Φ 70mm

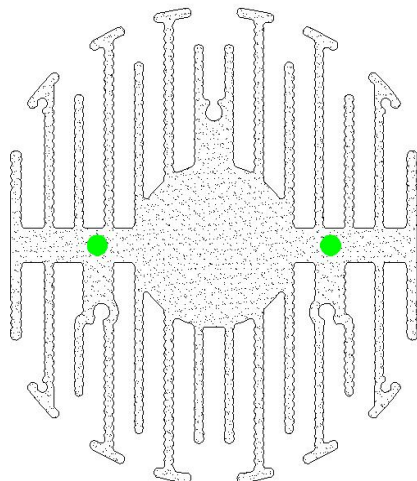
Features VS Benefits

- * The eLED-VOS-7080 Vossloh-Schwabe Modular Passive LED Coolers are specifically designed for luminaires using the Vossloh-Schwabe LED engines.
- * Mechanical compatibility with direct mounting of the LED engines to the LED cooler and thermal performance matching the lumen packages.
- * For spotlight and downlight designs from 1200 to 3000 lumen.
- * Thermal resistance range R_{th} 1.77°C/W.
- * Modular design with mounting holes foreseen for direct mounting of Vossloh-Schwabe LUGA Shop LED engines.
- * Diameter 70mm - standard height 80mm Other heights on request.
- * Extruded from highly conductive aluminum.



Zhaga LED engine and radiator assembly is a unified future international standardization

- * Below you find an overview of Vossloh-Schwabe engines COB's and LED modules which standard fit on the eLED coolers.
- * In this way mechanical after work and related costs can be avoided, and lighting designers can standardize their designs on a limited number of LED coolers.



Vossloh-Schwabe LED engines Mounting Options

For the LUGA Shop 2014 Module.

WU-M-484-827;	WU-M-484-840;	WU-M-485-835;	WU-M-486-830;
WU-M-484-830;	WU-M-485-827;	WU-M-485-840;	WU-M-486-835;
WU-M-484-835;	WU-M-485-830;	WU-M-486-827;	WU-M-486-840;

For the LUGA Shop 2014 PW Module.

WU-M-484-831-PW;	WU-M-485-831-PW;	WU-M-486-831-PW;
------------------	------------------	------------------

For the LUGA Shop 2014 HiCRI LED Module.

WU-M-484-927;	WU-M-484-940;	WU-M-485-935;	WU-M-486-930;
WU-M-484-930;	WU-M-485-927;	WU-M-485-940;	WU-M-486-935;
WU-M-484-935;	WU-M-485-930;	WU-M-486-927;	WU-M-486-940;

For the LUGA Shop 2014 PW Module.

WU-M-484-931-PW;	WU-M-485-931-PW;	WU-M-486-931-PW;
------------------	------------------	------------------

For the LUGA Shop 2014 PCB LED engines and the holder.

DMS088C27E1;	DMS088C40E1;	DMS158C35E1;	DMS128C30E1;
DMS088C30E1;	DMS158C27E1;	DMS158C40E1;	DMS128C35E1;
DMS088C35E1;	DMS158C30E1;	DMS128C27E1;	DMS128C40E1;

For the LUGA Shop 2014 PCB PW LED engines and the holder.

DMS088C31EP1;	DMS128C31EP1;	DMS158C31EP1;
---------------	---------------	---------------

For the LUGA Shop 2014 PCB HiCRI LED engines and the holder.

DMS088D27E1;	DMS088D40E1;	DMS158D35E1;	DMS128D30E1;
DMS088D30E1;	DMS158D27E1;	DMS158D40E1;	DMS128D35E1;
DMS088D35E1;	DMS158D30E1;	DMS128D27E1;	DMS128D40E1;

For the LUGA Shop 2014 PCB PW LED engines and the holder.

DMS088D31EP1;	DMS128D31EP1;	DMS158D31EP1;
---------------	---------------	---------------

For the LUGA C 2015 LED engines.

(AAG.STUCCHI holder:8101-G2); (BJB holder:47.319.2021.50);

DMC104Cxxx;	DMC115Cxxx;	DMC118Cxxx;
-------------	-------------	-------------

Zhaga Book3 Green indicator marks:

Mounting with machine screws M3x6mm;

Please refer to the "www.vossloh-schwabe.com" data provided on the manual.

Tel: +86-769-39023131
 E-fax: +86-(020)28819702 ext:22122
 Email: sales@mingfatech.com
 Http://www.heatsinkled.com
 Http://www.mingfatech.com





for

LED



eLED

eLED -VOS-7080 Vossloh-Schwabe Modular Passive tar LED Heat Sink $\Phi 70\text{mm}$

Mounting Options and Drawings & Dimensions

Example:eLED-VOS-7080-B-3

Example:eLED-VOS-70 **1** - **2** - **3**

1 Height (mm)

2 Anodising Color

B-Black

C-Clear

Z-Custom

3 Mounting Options - see graphics for details Combinations available

Ex.order code - 12

means option 1 and 2 combined

Notes:

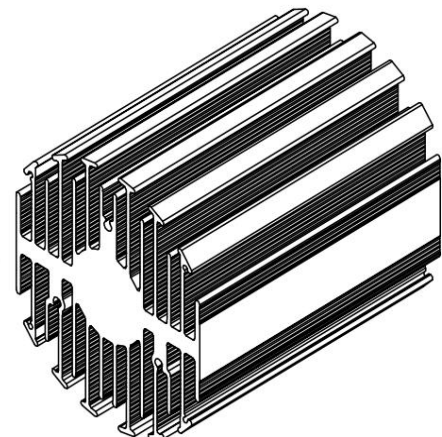
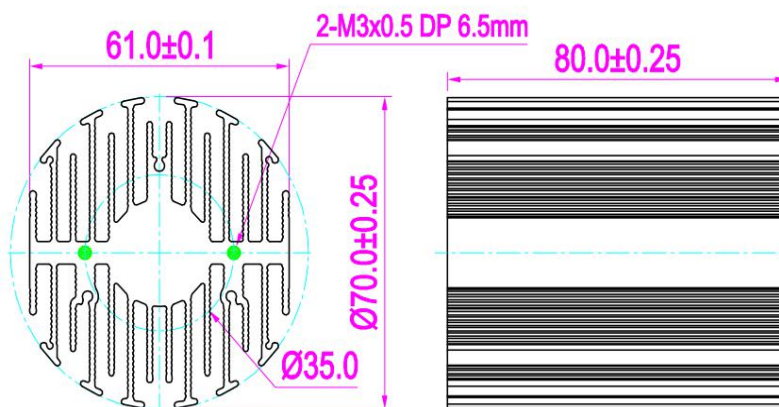
- Mentioned models are an extraction of full product range.

- For specific mechanical adaptations please contact MingfaTech.

- MingfaTech reserves the right to change products or specifications without prior notice.



MOUNTING OPTION	Module type	Holder NO.	THREAD	THREAD DEPTH	THREAD HOLE DISTANCE
1	LUGA C	BJB (47.319.2021.50)	M3	6.5mm	35.0mm/ 2-@180°
		AAG.STUCCHI (8101-G2)			
	LUGA Shop 2014 PCB	Vossloh-Schwabe			
	LUGA Shop 2014	/			



eLED

eLED -VOS-7080 Vossloh-Schwabe Modular Passive tar LED Heat Sink Φ70mm

The thermal data table

	 <i>eLED-7080</i>
Model No.	eLED-VOS-7080
Size	Φ70xH80mm
Material	AL6063-T5
Finish	Black Anodized
Weight(gr)	329
Thermal Wattage	28.2W
HeatsinkΘs-a²	115563
Heat Sink T Rise Above Ambient	1.77

Dissipated Power Pd(W)	Heat sink to ambient thermal resistance Rhs-amb (°C/W)		Heat sink to ambient temperature rise Ths-amb (°C)	
	eLED-VOS-7080			
6	2.5		15	
12	2.2		26	
18	1.9		34	
24	1.8		43	
30	1.7		51	

