



for

LED

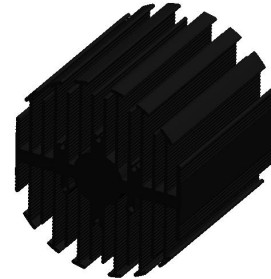


eLED

### eLED-PRO-9580 Prolight Modular Passive Star LED Heat Sink Ø95mm

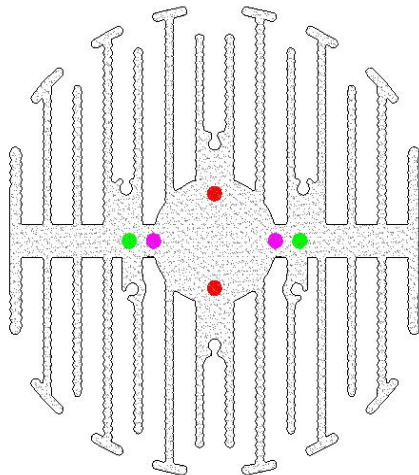
#### Features VS Benefits

- \* The eLED-PRO-9580 Prolight Modular Passive LED Coolers are specifically designed for luminaires using the Prolight LED engines.
- \* Mechanical compatibility with direct mounting of the LED engines to the LED cooler and thermal performance matching the lumen packages.
- \* For spotlight and downlight designs from 2100 to 5500 lumen.
- \* Thermal resistance range Rth 1.1°C/W.
- \* Modular design with mounting holes foreseen for direct mounting of Prolight N SERIES CI Series, CII SERIES, CIII SERIES BI SERIES and BS SERIES engines.
- \* Diameter 95mm - standard height 80mm Other heights on request.
- \* Extruded from highly conductive aluminum.



#### Prolight LED engine and radiator assembly directly Mounting Options

- \* Below you find an overview of Prolight COB's and LED modules which standard fit on the eLED Star LED Heat Sinks.
- \* In this way mechanical after work and related costs can be avoided, and lighting designers can standardize their designs on a limited number of LED coolers.



#### Prolight COB engines Mounting Options

COB CI Series Modules names:

- PACB-5xxx-xxxx ;
- PACB-7xxx-xxxx ;
- PACB-9xxx-xxxx ;

Pink indicator marks: Zhaga Book 11 BJB Holder:47.319.6060.50;  
 Green indicator marks: Zhaga Book3 BJB Holder:47.319.2040.50  
 Mounting with machine screws M3x8mm ;  
 Red indicator marks ;  
 Direct mounting machine screws M3x6mm ;

COB CII SERIES Modules names:

- PACC-18xxx-xxxx ;

Blue indicator marks:  
 Direct mounting with machine screws M3x6mm;

COB BS SERIES Modlue names:

- PABS-6xxx-xxxx ;
- PABS-9xxx-xxxx ;

Red indicator marks:  
 Direct mounting with machine screws M3x6mm;



# LED



eLED

eLED-PRO-9580 Prolight Modular Passive Star LED Heat Sink  $\Phi$ 95mm

## Mounting Options and Drawings & Dimensions

Example:eLED-PRO-9580-B-3

Example:eLED-PRO-9580-1-2-3

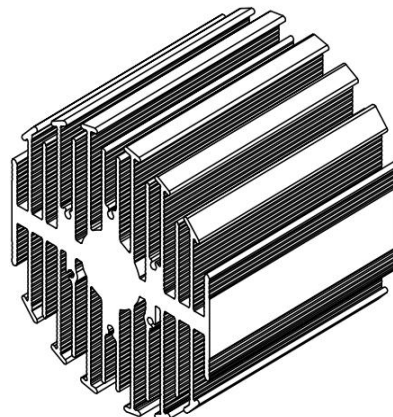
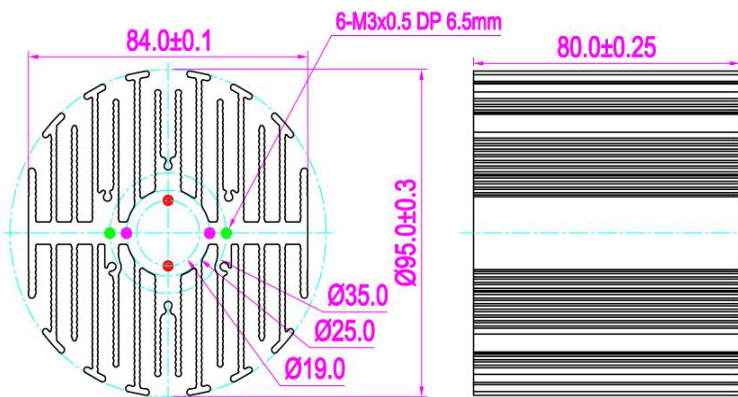
- 1** Height (mm)
- 2** Anodising Color  
B-Black  
C-Clear  
Z-Custom
- 3** Mounting options;  
On request;  
Mounting holes, cable holes;  
Screw thread, thermal interface pad.



### Notes:

- Mentioned models are an extraction of full product range.
- For specific mechanical adaptations please contact MingfaTech.
- MingfaTech reserves the right to change products or specifications without prior notice.

MOUNTING OPTION	Module type	Holder NO.	THREAD	THREAD DEPTH	THREAD HOLE DISTANCE
1	COB CI Series COB BS SERIRS	/	M3	6.5mm	19mm/ 2-@180°
2	COB CI Series	BJB:47.319.6060.50;	M3	6.5mm	25mm/ 2-@180° Zhaga Book 11
3	COB CI Series COB BI SERIRS	BJB:47.319.2040.50;	M3	6.5mm	35mm/ 2-@180° Zhaga Book3



Tel:+86-769-39023131  
E-fax: +86-(020)28819702 ext:22122  
Email:sales@mingfatech.com  
Http://www.heatsinkled.com  
Http://www.mingfatech.com



eLED

eLED-PRO-9580 Prolight Modular Passive Star LED Heat Sink  $\Phi$ 95mm

The thermal data table

	 <i>eLED-9580</i>
<b>Model No.</b>	<b>eLED-PRO-9580</b>
<b>Size</b>	<b><math>\Phi</math>95xH80mm</b>
<b>Material</b>	<b>AL6063-T5</b>
<b>Finish</b>	<b>Black Anodized</b>
<b>Weight(gr)</b>	<b>564</b>
<b>Thermal Wattage</b>	<b>49.2W</b>
<b>Heatsink<math>\Theta</math>s-a<sup>2</sup></b>	<b>170178</b>
<b>Heat Sink T Rise Above Ambient</b>	<b>1.1</b>

Dissipated Power Pd(W)	Heat sink to ambient thermal resistance Rhs-amb (°C/W)		Heat sink to ambient temperature rise T <sub>hs-amb</sub> (°C)	
	eLED-PRO-9580			
10	1.6		16	
20	1.3		26	
30	1.2		35	
40	1.1		44	
50	1.0		52	

