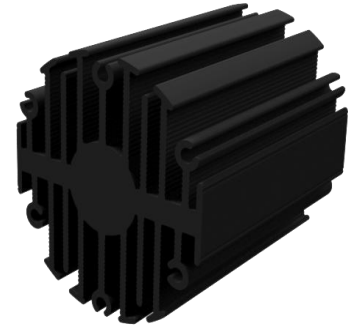


*eLED*

**eLED-LUME-4650 Lumens Modular Passive Star LED Heat Sink  $\Phi$ 46mm**

### Features VS Benefits

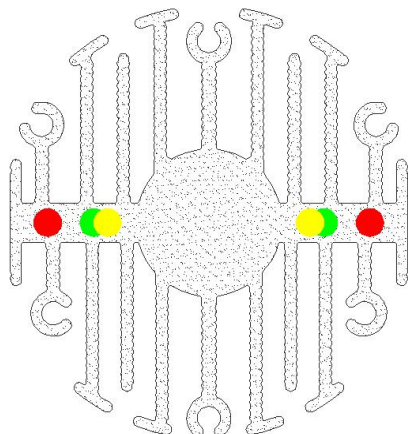
- \* The eLED-LUME-4650 Lumens Modular Passive Star LED Heat Sinks are specifically designed for luminaires using the Lumens LED engines.
- \* Mechanical compatibility with direct mounting of the LED engines to the LED cooler and thermal performance matching the lumen packages.
- \* For spotlight and downlight designs from 450 to 1200 lumen.
- \* Thermal resistance range  $R_{th}$  5.0°C/W.
- \* Modular design with mounting holes foreseen for direct mounting of Lumens ERC1507 and ERC1512 LED engines.
- \* Diameter 46.5mm - standard height 50mm Other heights on request.
- \* Extruded from highly conductive aluminum.



### Zhaga LED engine and radiator assembly is a unified future international standardization

- \* Below you find an overview of Lumens COB's and LED modules which standard fit on the eLED Star LED Heat Sinks.
- \* In this way mechanical after work and related costs can be avoided, and lighting designers can standardize their designs on a limited number of Star LED Heat Sinks.

## LUMENS



### Lumens LED engines for which Zhaga LED Modules holders are available.

For the ERC1507/1512 LED engines.

|                |                |
|----------------|----------------|
| ERC1507S827HE; | ERC1512S827HE; |
| ERC1507S830HE; | ERC1512S830HE; |
| ERC1507S835HE; | ERC1512S835HE; |
| ERC1507S840HE; | ERC1512S840HE; |
| ERC1507S850HE; | ERC1512S850HE; |
| ERC1507S927HE; | ERC1512S927HE; |
| ERC1507S930HE; | ERC1512S930HE; |
| ERC1507S935HE; | ERC1512S935HE; |

Mounting with machine screws M3x8mm;

NO.1:With Zhaga Book 3 LED holder for red indicator marks.

(Ideal Holder:50-2001CR);

NO.2:With Zhaga Book 11 LED holder for green indicator marks.

(BJB holder:47.319.6101.50);

(AAG.STUCCHI 8400-G2);

NO.3:Without the LED holder for yellow indicator marks.

Please refer to the [www.lumensleds.com](http://www.lumensleds.com) data provided on the manual.

eLED

eLED-LUME-4650 Lumens Modular Passive Star LED Heat Sink  $\Phi$ 46mm

Mounting Options and Drawings & Dimensions

Example:eLED-LUME-4650-B-3

Example:eLED-LUME-4650-1-2-3

- 1 Height (mm)
- 2 Anodising Color  
B-Black  
C-Clear  
Z-Custom
- 3 Mounting Options - see graphics for details Combinations available  
Ex.order code - 12  
means option 1 and 2 combined

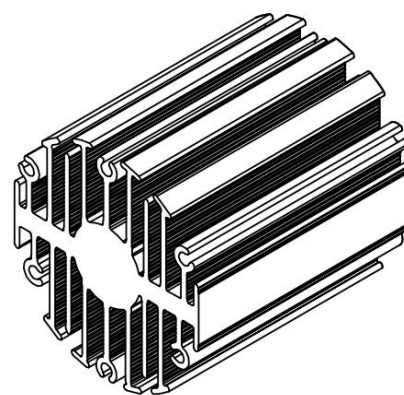
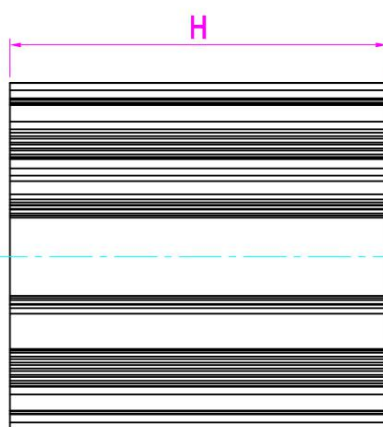
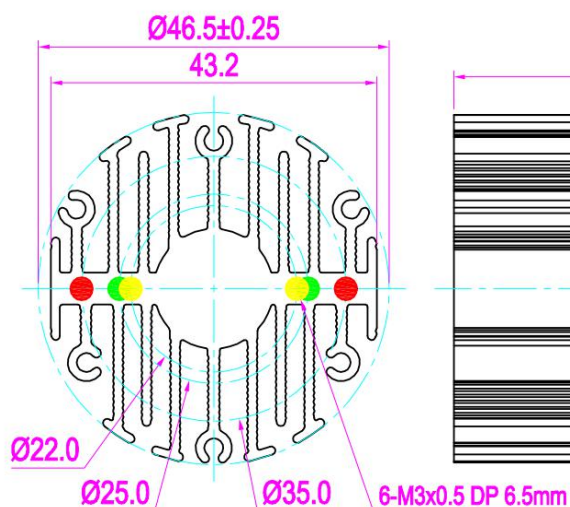
Notes:

- Mentioned models are an extraction of full product range.
  - For specific mechanical adaptations please contact MingfaTech.
  - MingfaTech reserves the right to change products or specifications without prior notice.
- Note : option 1 and option 2, can not be combined

LUMENS



| MOUNTING OPTION | Module type        | Holder NO.               | THREAD D | THREAD DEPTH | THREAD HOLE DISTANCE |
|-----------------|--------------------|--------------------------|----------|--------------|----------------------|
| 1               |                    | /                        | M3       | 6.5mm        | 22.0mm/ 2-@180°      |
| 2               | ERC1507<br>ERC1512 | AAG.STUCCHI<br>8400-G2   | M3       | 6.5mm        | 25.0mm/ 2-@180°      |
|                 |                    | BJB<br>47.313.6101.50    |          |              |                      |
| 3               |                    | Ideal Holde<br>50-2001CR | M3       | 6.5mm        | 35.0mm/ 2-@180°      |



*eLED*

**eLED-LUME-4650 Lumens Modular Passive Star LED Heat Sink  $\Phi$ 46mm**

The thermal data table

|   |   |
|---|---|
|   | <br><i>eLED-4650</i> |
| <b>Model No.</b>                                  | <b>eLED-LUME-4650</b>   |
| <b>Size</b>                                       | <b><math>\Phi</math>46.5xH50mm</b>  |
| <b>Material</b>                                   | <b>AL6063-T5</b>  |
| <b>Finish</b>                                     | <b>Black Anodized</b>   |
| <b>Weight(g)</b>                                  | <b>101.0</b>  |
| <b>Thermal Wattage</b>                            | <b>10.0W</b>  |
| <b>Heatsink<math>\Theta</math>s-a<sup>2</sup></b> | <b>41280</b>  |
| <b>Heat Sink T Rise Above Ambient</b>             | <b>5.0</b>  |

| Dissipated Power Pd(W) | Pd =<br>Pe x (1- $\eta$ L) | Heat sink to ambient<br>thermal resistance<br>Rhs-amb ( $^{\circ}$ C/W) | Heat sink<br>toambienttemperature<br>riseThs-amb ( $^{\circ}$ C) |
|------------------------|----------------------------|---|--|
|                        |                            | eLED-LUME-4650  |  |
| 3                      |                            | 5.67  | 17   |
| 6                      |                            | 5.50  | 33   |
| 9                      |                            | 5.22  | 47   |
| 12                     |                            | 4.83  | 58   |
| 15                     |                            | 4.33  | 65   |

