



for

LED



SimpoleD

SimpoleD-CIT-13550 for Citizen Modular Passive LED Cooler Φ 135mm

Features VS Benefits

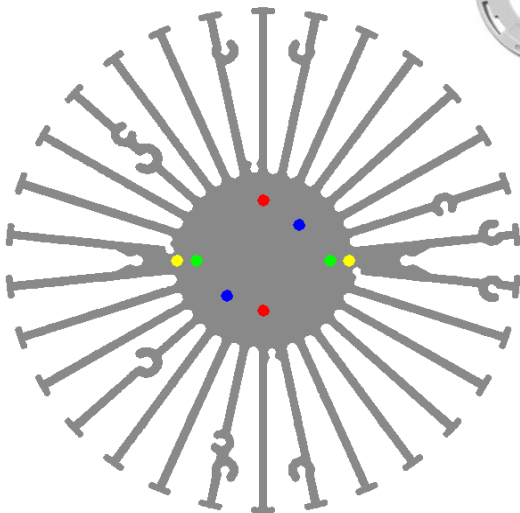
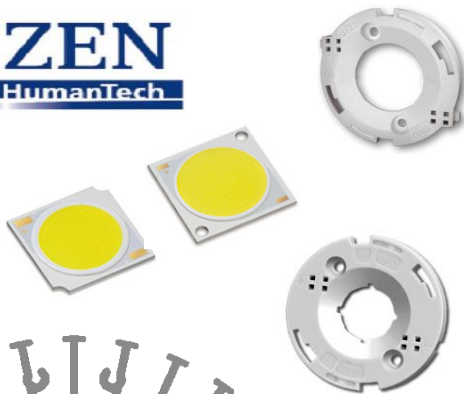
- * The SimpoleD-CIT-13550 Citizen Modular Passive LED Coolers are specifically designed for luminaires using the Citizen LED engines.
- * Mechanical compatibility with direct mounting of the LED engines to the LED cooler and thermal performance matching the lumen packages.
- * For spotlight and downlight designs from 2000 to 7200 lumen.
- * Thermal resistance range Rth 0.83°C/W.
- * Modular design with mounting holes foreseen for direct mounting of Citizen CLL030、CLL032、CLU034 and CLU044 COB engines.
- * Diameter 135mm - standard height 50mm Other heights on request.
- * Extruded from highly conductive aluminum.



Citizen LED engine and radiator assembly directly Mounting Options

- * Below you find an overview of Citizen COB's which standard fit on the SimpoLED coolers.
- * In this way mechanical after work and related costs can be avoided, and lighting designers can standardize their designs on a limited number of LED coolers.

CITIZEN
Micro HumanTech



Citizen LED Modules Mounting indicator marks overview
CLL030,CLL032,CLU034 LED Modules:

- | | |
|------------------------|------------------------|
| CLL030-1212A5-50xxxx ; | CLL032-1212A5-50xxxx ; |
| CLL030-1212A5-40xxxx ; | CLL032-1212A5-40xxxx ; |
| CLL030-1212A5-35xxxx ; | CLL032-1212A5-35xxxx ; |
| CLL030-1212A5-30xxxx ; | CLL032-1212A5-30xxxx ; |
| CLL030-1212A5-27xxxx ; | CLL032-1212A5-27xxxx ; |
| CLU034-1208B8-50xxxx ; | |
| CLU034-1208B8-40xxxx ; | |
| CLU034-1208B8-35xxxx ; | |
| CLU034-1208B8-30xxxx ; | |
| CLU034-1208B8-27xxxx ; | |

With Zhaga Book 3 LED holder
BJB Spotlight connector 47.319.2030.50
Mounting with 2 screws M3 x 8mm
Green indicator marks
Direct mounting with 2 screws M3 x 6mm
Blue indicator marks

Citizen CLL040 Modules:

- | | | |
|------------------------|------------------------|------------------------|
| CLL040-xxxxxx-xxxxxx ; | CLL042-1218A5-50xxxx ; | CLU044-1812B8-50xxxx ; |
| CLL040-xxxxxx-xxxxxx ; | CLL042-1218A5-40xxxx ; | CLU044-1812B8-40xxxx ; |
| CLL040-xxxxxx-xxxxxx ; | CLL042-1218A5-35xxxx ; | CLU044-1812B8-35xxxx ; |
| CLL040-xxxxxx-xxxxxx ; | CLL042-1218A5-30xxxx ; | CLU044-1812B8-30xxxx ; |
| CLL040-xxxxxx-xxxxxx ; | CLL042-1218A5-27xxxx ; | CLU044-1812B8-27xxxx ; |

With Zhaga Book 3 LED holder
BJB Spotlight connector 47.319.2030.50
Mounting with 2 screws M3 x 8mm
Green indicator marks
Direct mounting with 2 screws M3 x 6mm
Red indicator marks

Citizen CLL050 CLL052 CLU054 Modules:

- | | |
|------------------------|------------------------|
| CLL050-1825A1-50xxxx ; | CLL052-1825B1-30xxxx ; |
| CLL052-1825B1-40xxxx ; | CLL052-1825B1-27xxxx ; |
| CLL052-1825B1-35xxxx ; | |

Direct mounting with 2 screws M3 x 6mm
yellow indicator marks





for

LED



SimpoleD

SimpoleD-CIT-13550 for Citizen Modular Passive LED Cooler Φ 135mm

Mounting Options and Drawings & Dimensions

Example: SimpoleD-CIT-13550-B-3

Example: SimpoleD-CIT-135 **1** - **2** - **3**

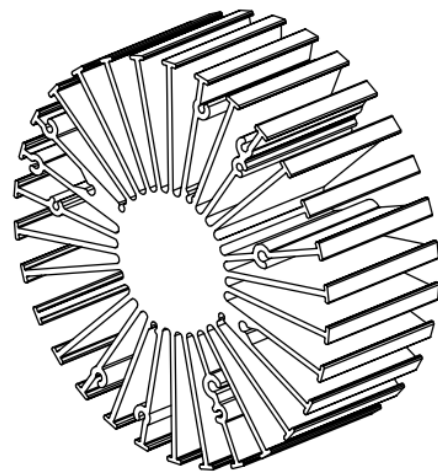
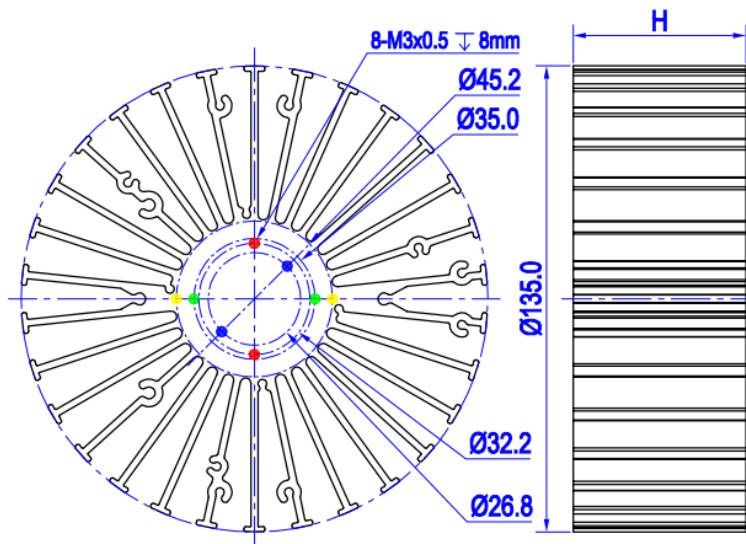
- 1** Height (mm)
- 2** Anodising Color
 - B-Black
 - C-Clear
 - Z-Custom
- 3** Mounting Options - see graphics for details Combinations available
 Ex.order code - 12
 means option 1 and 2 combined

Notes:

- Mentioned models are an extraction of full product range.
- For specific mechanical adaptations please contact MingfaTech.
- MingfaTech reserves the right to change products or specifications without prior notice.



MOUNTING OPTION	Module type	Holder NO.	THREAD	THREAD DEPTH	THREAD HOLE DISTANCE
1	CLL030-032 CLU034	/	M3	8mm	26.8mm/ 2-@180°
2	CLL040-042 CLU044	/	M3	8mm	32.2mm/ 2-@180°
3	CLL030-032 CLU034	BJB:47.319.2020.50 Zhaga Book3	M3	8mm	35mm/ 2-@180° Zhaga Book3
	CLL040-042 CLU044	BJB:47.319.2030.50 Zhaga Book3			
4	CLL050-052 CLU054	/	M3	8mm	45.2mm/ 2-@180°



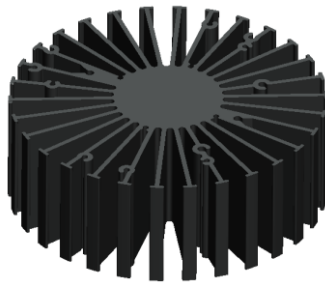
Tel: +86-769-39023131
 E-fax: +86-(020)28819702 ext:22122
 Email:sales@mingfatech.com
 Http://www.heatsinkled.com
 Http://www.mingfatech.com



SimpoleD

SimpoleD-CIT-13550 for Citizen Modular Passive LED Cooler Φ 135mm

The thermal data table

	
	<i>SimpoleD-13550</i>
Model No.	SimpoleD-CIT-13550
Size	D135xH50mm
Material	AL6063-T5
Finish	Black Anodized
Weight(g)	638.0
Thermal Wattage	60.3W
HeatsinkOs-a²	155618
Heat Sink T_{Rise} Above Ambient	0.83

	Pd = Pe x (1-ηL)	Heat sink to ambient thermal resistance Rhs-amb (°C/W)	Heat sink to ambient temperature rise Ths-amb (°C)
		SimpoleD-CIT-13550	SimpoleD-CIT-13550
Dissipated Power Pd(W)	15	1.00	15.0
	30	0.87	26.0
	45	0.79	35.7
	60	0.74	44.8
	75	0.71	53.4
	90	0.68	61.6

