



for

LED



*SimpoleD*

**SimpoleD-EDI-8180 for Edison Modular Passive LED Cooler  $\Phi$ 81mm**

**Features VS Benefits**

- \* The SimpoleD-EDI-8180 Edison Modular Passive LED Coolers are specifically designed for luminaires using the Edison LED engines.
- \* Mechanical compatibility with direct mounting of the LED engines to the LED cooler and thermal performance matching the lumen packages.
- \* For spotlight and downlight designs from 900 to 2700 lumen.
- \* Thermal resistance range Rth 1.6°C/W.
- \* Modular design with mounting holes foreseen for direct mounting of Edison EdiLex SLM and EdiLex II COB LED engines.
- \* Diameter 81mm - standard height 80mm Other heights on request.
- \* Extruded from highly conductive aluminum.



**Zhaga LED engine and radiator assembly is a unified future international standardization**

- \* Below you find an overview of Edison engines COB's and LED modules which standard fit on the SimpoleD coolers.
- \* In this way mechanical after work and related costs can be avoided, and lighting designers can standardize their designs on a limited number of LED coolers.



<p><b>Edison LED engines Mounting Options</b></p> <p>For the EdiLex Spot Light Module (SLM).</p> <p>5PHR22WWS0010002; 5PHR22NWS0010002;</p> <p>Zhaga Book3 Green indicator marks: Direct mounting with machine screws M3x8mm;</p>	
<p>For the EdiLex II HM Series LED engines.</p> <p>2PHM16WW27P13001;                      2PHM30WW27P13001; 2PHM16NW27P13001;                      2PHM30NW27P13001; 2PHM16CW27P13001;                      2PHM30CW27P13001;</p>	
<p>For the EdiLex II HM CRI90 Series LED engines.</p> <p>2PHM16WW38P13001;                      2PHM30WW38P13001; 2PHM16NW38P13001;                      2PHM30NW38P13001; 2PHM16CW38P13001;                      2PHM30CW38P13001;</p>	
<p>For the EdiLex II MV Series LED engines.</p> <p>2PMV20WW27P13001;                      2PMV20CW27P13001; 2PMV20NW27P13001;</p>	
<p>For the EdiLex II SL Series LED engines.</p> <p>2PSL30MW38P13001;                      2PSL30RW27P13001; 2PSL30AW27P13001;                      2PSL30SW27P13001;</p> <p>Zhaga Book3 Green indicator marks: BJB holder:47.319.2021.50; AAG.STUCCHI holder:8101-G2; Mounting with machine screws M3x8mm;</p>	
<p><b>Edison LED engines directly Mounting Options</b></p> <p>For the EdiLex II SD Series LED engines.</p> <p>2PSD24WW01P02001;                      2PSD24CW06P02001; 2PSD24NW05P02001;</p>	
<p>For the EdiLex II LC Series LED engines.</p> <p>2PLC24WW05P02001;                      2PLC24CW06P02001; 2PLC24NW05P02001;</p> <p>Direct mounting with machine screws M3x6mm; Blue indicator marks.</p> <p>Please refer to the "<a href="http://www.edison-opto.com">http://www.edison-opto.com</a>" data provided on the manual.</p>	

Tel:+86-769-39023131  
E-fax:+86-(020)28819702 ext:22122  
Email:sales@mingfatech.com  
Http://www.heatsinkled.com  
Http://www.mingfatech.com





for

LED



*SimpoleD*

SimpoleD-EDI-8180 for Edison Modular Passive LED Cooler  $\Phi$ 81mm

**Mounting Options and Drawings & Dimensions**

Example: SimpoleD-EDI-8180-B-3

Example: SimpoleD-EDI-81 **1** - **2** - **3**

**1** Height (mm)

**2** Anodising Color

B-Black

C-Clear

Z-Custom

**3** Mounting Options - see graphics for details Combinations available

Ex.order code - 12

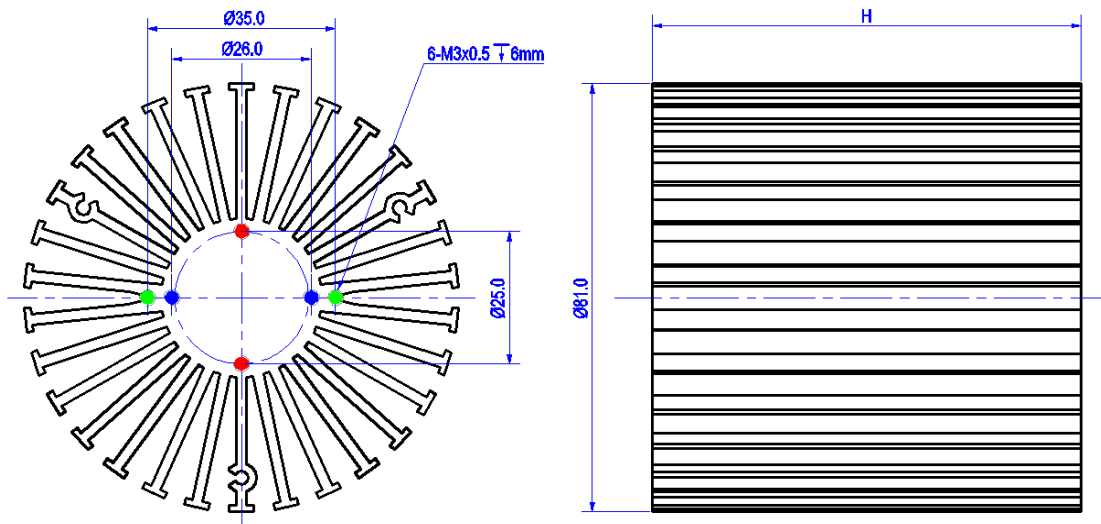
means option 1 and 2 combined

Notes:

- Mentioned models are an extraction of full product range.
- For specific mechanical adaptations please contact MingfaTech.
- MingfaTech reserves the right to change products or specifications without prior notice.



MOUNTING OPTION	Module type	Holder NO.	THREAD	THREAD DEPTH	THREAD HOLE DISTANCE
1	EdiLex II CAC	Ideal:50-2000CR	M3	6mm	25.0mm/ 2-@180°
		BJB:47.319.6120.50			
2	EdiLex II SD	/	M3	6mm	26.0mm/ 2-@180°
	EdiLex II HV				
	EdiLex II LC				
3	EdiLex II HM	AAG.STUCCHI:8101-G2	M3	6mm	35.0mm/ 2-@180°
	EdiLex II MV	BJB:47.319.2021.50			
	EdiLex II SL	/			
	EdiLex II SLM	/			



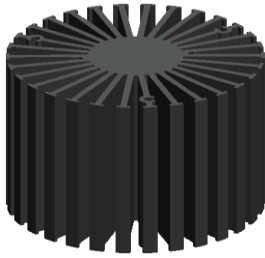
Tel:+86-769-39023131  
 E-fax:+86-(020)28819702 ext:22122  
 Email:sales@mingfatech.com  
 Http://www.heatsinkled.com  
 Http://www.mingfatech.com



*SimpoleD*

*SimpoleD-EDI-8180 for Edison Modular Passive LED Cooler Φ81mm*

The thermal data table

	 <i>SimpoleD-8180</i>
<b>Model No.</b>	<b>SimpoleD-EDI-8180</b>
<b>Size</b>	<b>Φ81xH80mm</b>
<b>Material</b>	<b>AL6063-T5</b>
<b>Finish</b>	<b>Black Anodized</b>
<b>Weight(gr)</b>	<b>508.0</b>
<b>Thermal Wattage</b>	<b>31.2W</b>
<b>HeatsinkOs-a<sup>2</sup></b>	<b>148406</b>
<b>Heat Sink T Rise Above Ambient</b>	<b>1.6</b>

Dissipated Power Pd(W)	Pd = Pe x (1-ηL)	Heat sink to ambient thermal resistance Rhs-amb (°C/W)	Heat sink to ambient temperature rise Ths-amb (°C)
		SimpoleD-EDI-8180	SimpoleD-EDI-8180
7.0		2.14	15.0
14.0		1.82	25.5
21.0		1.66	35.0
28.0		1.53	43.0
30.0		1.72	50.7

