



for

LED

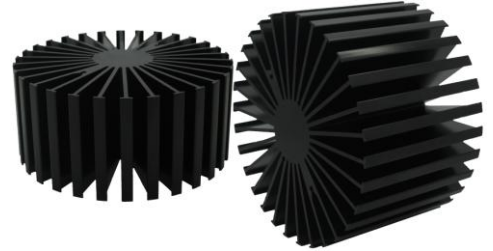


SimpoleD

SimpoleD-LG-11780 for LG Innotek Modular Passive LED Cooler ϕ 117mm

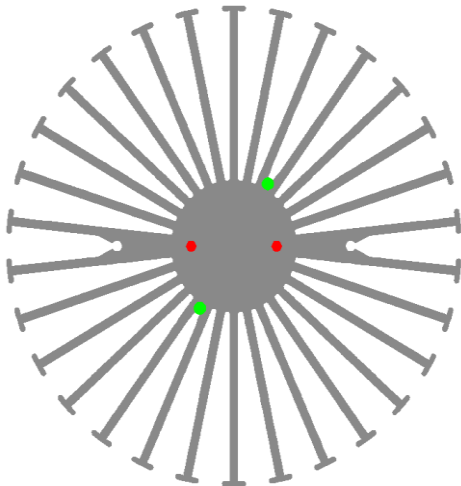
Features VS Benefits

- * The SimpoleD-LG-11780 LG Innotek Modular Passive LED Coolers are specifically designed for luminaires using the LG Innotek LED engines.
- * Mechanical compatibility with direct mounting of the LED engines to the LED cooler and thermal performance matching the lumen packages.
- * For spotlight and downlight designs from 2200 to 7500 lumen.
- * Thermal resistance range Rth 0.8°C/W.
- * Modular design with mounting holes foreseen for direct mounting of LG Innotek COB 17W/ 24W/40W/60W LED engines.
- * Diameter 117mm - standard height 80mm Other heights on request.
- * Extruded from highly conductive aluminum.



Zhaga LED engine and radiator assembly is a unified future international standardization

- * Below you find an overview of LG Innotek engines COB's and LED modules which standard fit on the SimpoleD coolers.
- * In this way mechanical after work and related costs can be avoided, and lighting designers can standardize their designs on a limited number of LED coolers.



LG Innotek LED Spotlight engines directly Mounting Options

LEMWM 17W COB Modules:

- LEMWM18780GGxxxx;
- LEMWM18780HGxxxx;
- LEMWM18780JGxxxx;
- LEMWM18780LGxxxx;
- LEMWM18780MGxxxx;

LEMWM 24W COB Modules:

- LEMWM18880GGxxxx;
- LEMWM18880HGxxxx;
- LEMWM18880JGxxxx;
- LEMWM18880LGxxxx;
- LEMWM18880MGxxxx;

Zhaga Book3 Green indicator marks:

- AAG.STUCCHI holder:8600 ;
- BJB holder:47.319.2080.50 ;
- IDEAL holder:50-2100LG ;
- Direct mounting with machine screws M3x6mm;
- Directly Mounting with machine screws M2.5x8mm;
- Red indicator marks.

LEMWM 40W COB Modules :

- LEMWM28C80HZxxxx;
- LEMWM28C80LZxxxx;

LEMWM 60W COB Modules :

- LEMWM28E80HZxxxx;
- LEMWM28E80LZxxxx;

Zhaga Book3 Green indicator marks:

- AAG.STUCCHI holder:8102 ;
- BJB holder:47.319.2021.50 ;
- IDEAL holder:50-2204CT ;
- Direct mounting with machine screws M3x6mm;

Tel:+86-769-39023131
 E-fax:+86-(020)28819702 ext:22122
 Email:sales@mingfatech.com
 Http://www.heatsinkled.com
 Http://www.mingfatech.com





SimpoleD

SimpoleD-LG-11780 for LG Innotek Modular Passive LED Cooler Φ 117mm

Mounting Options and Drawings & Dimensions

Example: SimpoleD-LG-11780-B-3

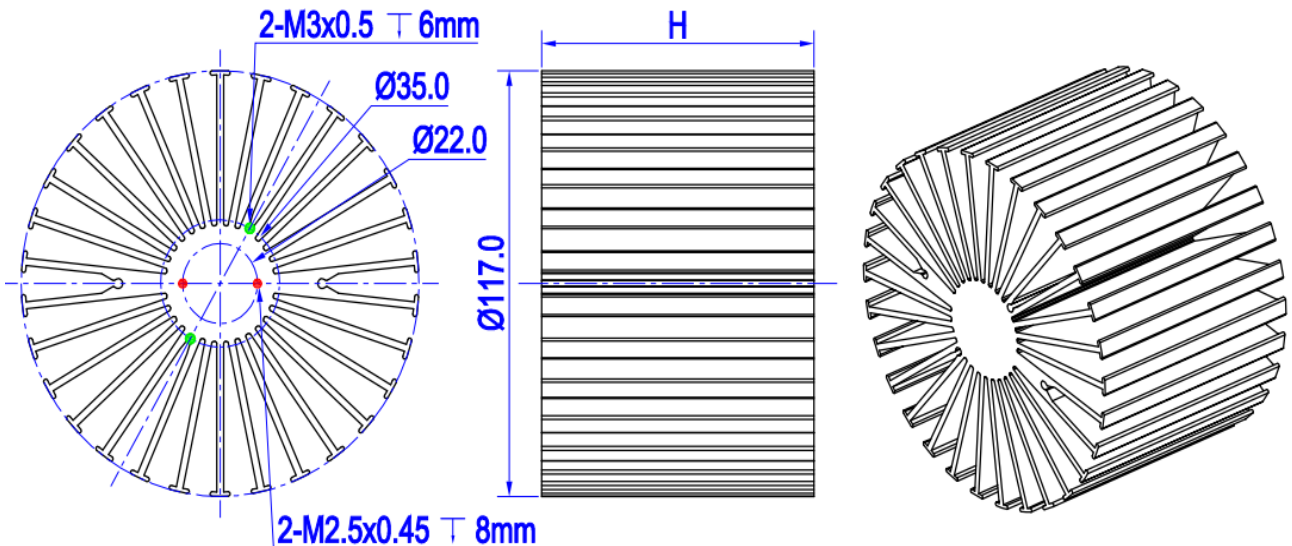
Example: SimpoleD-LG-117 **1** - **2** - **3**

- 1** Height (mm)
- 2** Anodising Color
B-Black
C-Clear
Z-Custom
- 3** Mounting Options - see graphics for details Combinations available
Ex.order code - 12
means option 1 and 2 combined



Notes:
 - Mentioned models are an extraction of full product range.
 - For specific mechanical adaptations please contact MingfaTech.
 - MingfaTech reserves the right to change products or specifications without prior notice.

MOUNTING OPTION	Module type	Holder NO.	THREAD	THREAD DEPTH	THREAD HOLE DISTANCE
1	LEMWM COB 17W/24W	/	M2.5	8mm	22.0mm/ @2-180°
2	LEMWM COB 17W/24W	BJB: 47.319.2028.50	M3	6mm	35.0mm/ 2-@180°
		AAG.STUCCHI: 8600			
		IDEAL: 50-2100LG			
	LEMWM COB 40W/60W	BJB: 47.319.2021.50			
		AAG.STUCCHI: 8120			
		IDEAL: 50-2204CT			



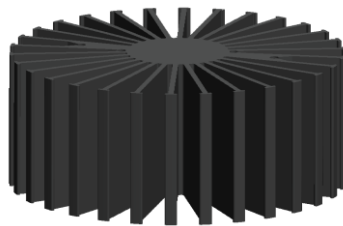
Tel:+86-769-39023131
 E-fax:+86-(020)28819702 ext:22122
 Email:sales@mingfatech.com
 Http://www.heatsinkled.com
 Http://www.mingfatech.com



SimpoleD

SimpoleD-LG-11780 for LG Innotek Modular Passive LED Cooler Φ 117mm

The thermal data table

	 <i>SimpoleD-11780</i>
Model No.	SimpoleD-LG-11780
Size	Φ117xH80mm
Material	AL6063-T5
Finish	Black Anodized
Weight(g)	774.0
Thermal Wattage	60.7W
HeatsinkOs-a²	231490
Heat Sink T_{Rise Above Ambient}	0.8

Dissipated Power Pd(W)	Pd = Pe x (1- η L)	
	Heat sink to ambient thermal resistance Rhs-amb (°C/W)	Heat sink to ambient temperature rise Ths-amb (°C)
	SimpoleD-LG-11780	SimpoleD-LG-11780
15.0	1.01	15.2
30.0	0.88	26.4
45.0	0.85	38.3
60.0	0.82	49.2
75.0	0.75	56.3
90.0	0.68	61.2

