



for

LED



GooLED

GooLED-EDI-7830 Pin Fin LED Heat Sink Φ 78mm for Edison

Features VS Benefits

- * The GooLED-EDI-7830 Edison Pin Fin LED Heat Sinks are specifically designed for luminaires using the Edison LED engines.
- * Mechanical compatibility with direct mounting of the LED engines to the LED cooler and thermal performance matching the lumen packages.
- * For spotlight and downlight designs from 1,000 to 2,700 lumen.
- * Thermal resistance range R_{th} 3.03°C/W.
- * Modular design with mounting holes foreseen for direct mounting of Edison COB series.
- * Diameter 78.0mm - standard height 30.0mm Other heights on request.
- * Forged from highly conductive aluminum.

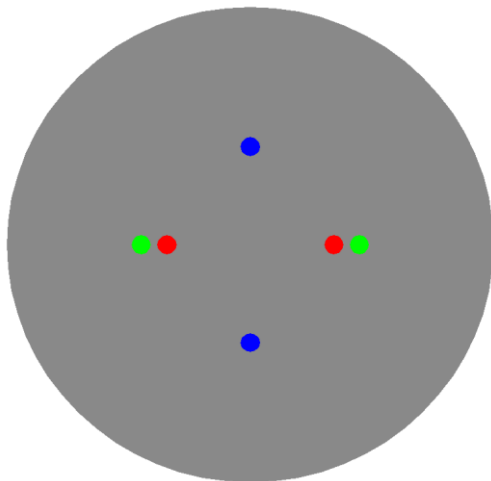


Zhaga LED engine and radiator assembly is a unified future international standardization

- * Below you find an overview of Edison COB's and LED modules which standard fit on the Pin Fin LED Heat Sinks.
- * In this way mechanical after work and related costs can be avoided, and lighting designers can standardize their designs on a limited number of LED Pin Fin LED Heat Sink.



A. A. G.
STUCCHI
ideas are made of light



Edison LED Modules directly Mounting Options

Edison Opto_EdiPower® V, III HC, III HE/ CRI70/ CRI90, III SL Series :

- | | |
|-------------------|-------------------|
| 2PHE33xxxxP35202; | 2PHC40xxxxP35001; |
| 2PHE36xxxxP35202; | 2PHE40xxxxP35001; |
| 2PHE55xxxxP35202; | 2PHE27xxxxP35001; |
| 2PHE60xxxxP35202; | 2PSL40xxxxP16010; |

With the Zhaga Book 3 holders for the green indicator marks.
 BJB holder: 47.319.2030.50;
 AAG.STUCCHI: 8102-G2
 Without the holders for the blue indicator marks.
 Direct mounting with machine screws M3x6.5mm.

Edison LED Modules directly Mounting Options

Edison Opto_EdiPower® V, III HC, III HE/ CRI70/ CRI90, III SL Series :

- | | | |
|-------------------|-------------------|-------------------|
| 2PHE15xxxxP34202; | 2PHC20xxxxP34001; | 2PSL30xxxxP13010; |
| 2PHE18xxxxP34202; | 2PHC30xxxxP34001; | |
| 2PHE24xxxxP34202; | 2PHE20xxxxP34001; | |
| 2PHE30xxxxP34202; | 2PHE30xxxxP34001; | |

With the Zhaga Book 3 holders for the green indicator marks.
 BJB holder: 47.319.2021.50;
 AAG.STUCCHI: 8101-G2
 Without the holders for the red indicator marks.
 Direct mounting with machine screws M3x6.5mm.

Mounting Options and Drawings & Dimensions

Example:GooLED-EDI-7830-B-1,2

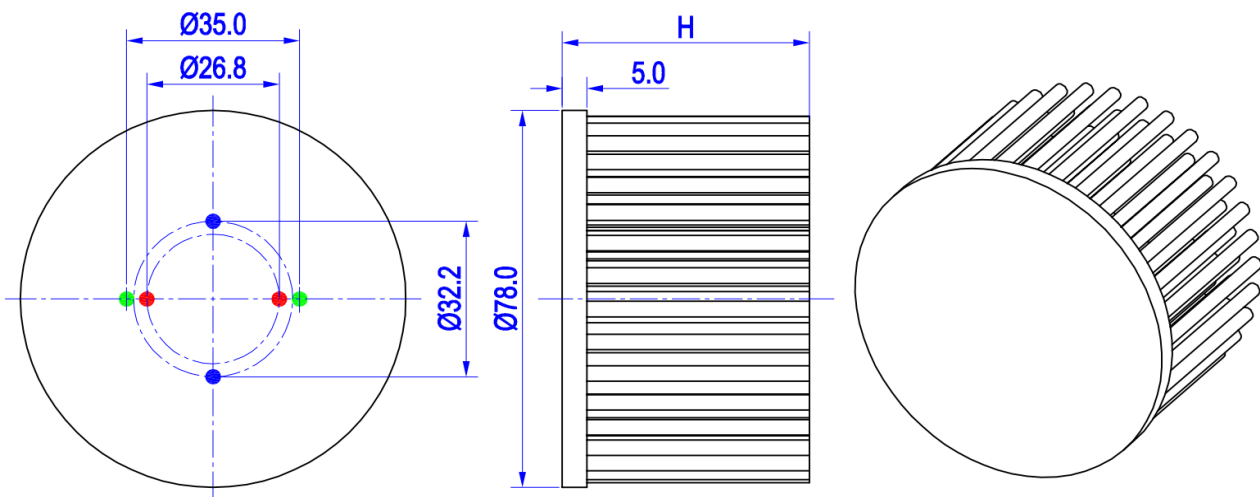
Example:GooLED-EDI-78 **1** - **2** - **3**

- 1** Height (mm)
- 2** Anodising Color
B-Black
C-Clear
Z-Custom
- 3** Mounting Options - see graphics for details Combinations available
Ex.order code - 12
means option 1 and 2 combined

Notes:

- Mentioned models are an extraction of full product range.
- For specific mechanical adaptations please contact MingfaTech.
- MingfaTech reserves the right to change products or specifications without prior notice.

MOUNTING OPTION	Module type	Holder NO.	THREAD	THREAD DEPTH	THREAD HOLE DISTANCE
1	15~30W COB	/	M3	6.5mm	26.8mm/ 2-@180°
2	27W, 33~40W COB	/	M3	6.5mm	32.2mm/ 2-@180°
3		BJB Holder 47.319.2030.50	M3	6.5mm	35.0mm/ 2-@180° (Zhaga book 3)
	AAG.STUCCHI 8102-G2				
3	15~30W COB	BJB Holder 47.319.2021.50	M3	6.5mm	35.0mm/ 2-@180° (Zhaga book 3)
		AAG.STUCCHI 8101-G2			





for


LED



GooLED

GooLED-EDI-7830 Pin Fin LED Heat Sink Φ 78mm for Edison

The product data table

	Model No.	GooLED-EDI-7830
	Heatsink Size	Φ 78xH30mm
	Heatsink Material	AL1070
	Finish	Black Anodized
	Weight (g)	138.0
	Dissipated power (T _{hs-amb} ,50°C)	16.5 (W)
	Cooling surface area (mm ²)	46643
	Thermal Resistance (R _{hs-amb})	3.03 (°C/W)

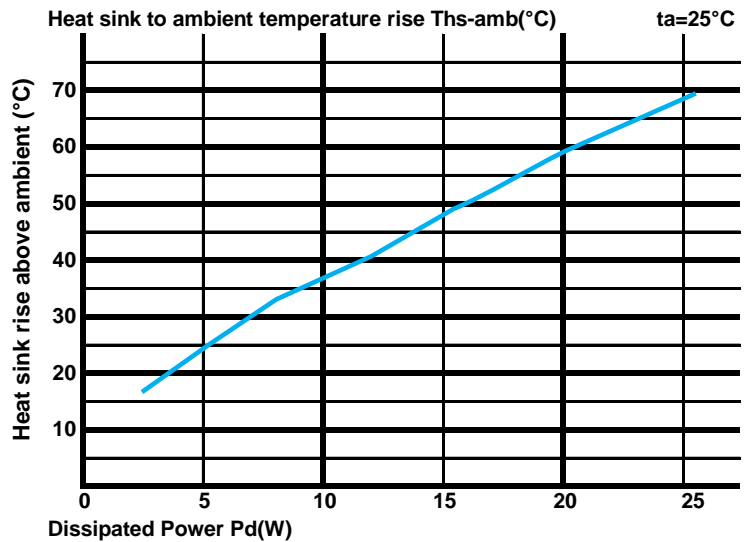
The thermal data table

* Please be aware the dissipated power Pd is not the same as the electrical power Pe of a LED module.

*To calculate the dissipated power please use the following formula: Pd = Pe x (1-ηL).

Pd - Dissipated power ; Pe - Electrical power ; ηL = Light efficiency of the LED module;

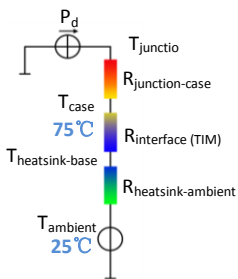
Dissipated Power Pd(W)	Pd = Pe x (1-ηL)	Heat sink to ambient thermal resistance R _{hs-amb} (°C/W)	Heat sink to ambient temperature rise T _{hs-amb} (°C)
		GooLED-EDI-7830	
5.0		4.80	24.0
10.0		3.60	36.0
15.0		3.13	47.0
20.0		2.95	59.0
25.0		2.72	68.0



*The aluminum substrate side of the package outer shell is thermally connected to the heat sink via TIM (Thermal interface material).

MingFa recommends the use of a high thermal conductive interface between the LED module and the LED cooler.

Either thermal grease, A thermal pad or a phase change thermal pad thickness 0.1-0.15mm is recommended.



*Thermal resistance is a heat property and a measurement of a temperature difference by which an object or material resists a heat flow.

Geometric shapes are different, the thermal resistance is different. Formula: $\theta = (T_{hs} - T_a) / P_d$

θ - Thermal Resistance [°C/W]; T_{hs} - Heatsink temperature; T_a - Ambient temperature;

*The thermal resistance between the junction section of the light-emitting diode and the aluminum substrate side of the package outer shell is R_{junction-case}, the thermal resistance of the TIM outside the package is R_{interface (TIM)} [°C/W], the thermal resistance with the heat sink is R_{heatsink-ambient} [°C/W], and the ambient temperature is T_{ambient} [°C].

*Thermal resistances outside the package R_{interface (TIM)} and R_{heatsink-ambient} can be integrated into the thermal resistance R_{case-ambient} at this point. Thus, the following formula is also used:

$$T_{junction} = (R_{junction-case} + R_{case-ambient}) \cdot P_d + T_{ambient}$$