



for

LED

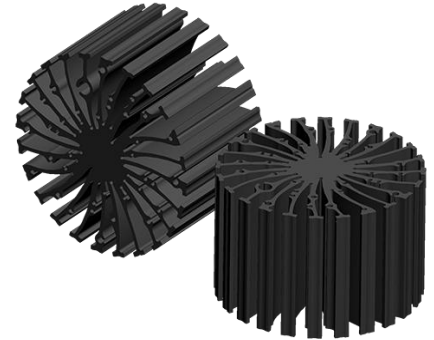


EtraLED

EtraLED-VOS-130100 Vossloh-Schwabe Modular Passive Star LED Heat Sink Φ 130mm

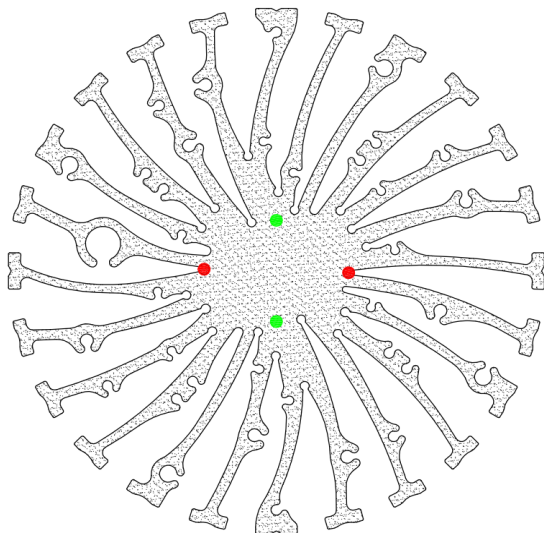
Features VS Benefits

- * The EtraLED-VOS-130100 Vossloh-Schwabe Modular Passive Star LED Heat Sinks are specifically designed for luminaires using the Vossloh-Schwabe LED engines.
- * Mechanical compatibility with direct mounting of the LED engines to the LED cooler and thermal performance matching the lumen packages.
- * For spotlight and downlight designs from 2500 to 9200 lumen.
- * Thermal resistance range Rth 0.65°C/W.
- * Modular design with mounting holes foreseen for direct mounting of Vossloh-Schwabe LUGA C LED engines.
- * Diameter 130mm - standard height 100mm Other heights on request.
- * Extruded from highly conductive aluminum.



Zhaga LED engine and radiator assembly is a unified future international standardization

- * Below you find an overview of Vossloh-Schwabe COB's and LED modules which standard fit on the EtraLED Star LED Heat Sinks.
- * In this way mechanical after work and related costs can be avoided, and lighting designers can standardize their designs on a limited number of Star LED Heat Sinks.



Vossloh-Schwabe LED engines for which Zhaga book3 LED Modules holders are available.

For the LUGA C 2015 LED engines.
(AAG.STUCCHI holder:8102-G2); (BJB holder:47.319.2030.50);

- DMC11CC27E;
- DMC11CC30E;
- DMC11CC35E;
- DMC11CC40E;
- DMC11CB40E;
- DMC11CC50E;
- DMC11CB50E;
- DMC16CC30E;
- DMC16CC40E;
- DMC16CB40E;
- DMC16CC50E;
- DMC16CB50E;

Zhaga Book3 Green indicator marks:
Direct mounting with machine screws M3x8mm;

Please refer to the "www.vossloh-schwabe.com" data provided on the manual.



for

LED



EtraLED

EtraLED-VOS-130100 Vossloh-Schwabe Modular Passive Star LED Heat Sink Φ 130mm

Mounting Options and Drawings & Dimensions

Example: EtraLED -VOS-130100-B-3

Example: EtraLED -VOS-130 **1** - **2** - **3**

- 1** Height (mm)
- 2** Anodising Color
B-Black
C-Clear
Z-Custom
- 3** Mounting Options - see graphics for details Combinations available
Ex.order code - 12
means option 1 and 2 combined

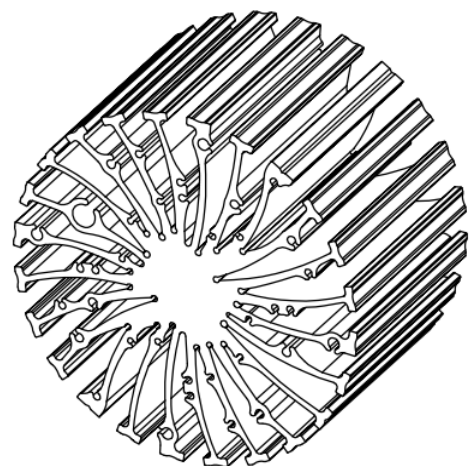
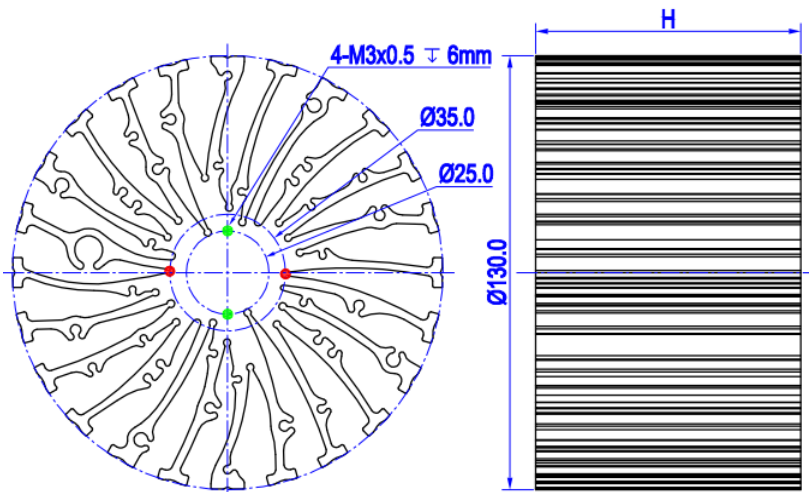


A. A. G. STUCCHI
Ideas are made of light

Notes:

- Mentioned models are an extraction of full product range.
- For specific mechanical adaptations please contact MingfaTech.
- MingfaTech reserves the right to change products or specifications without prior notice.

MOUNTING OPTION	Module type	Holder NO.	THREAD	THREAD DEPTH	THREAD HOLE DISTANCE
1	LUGA C	BJB (47.319.6060.50)	M3	8mm	25.0mm/ 2-@180°
		AAG.STUCCHI (8100-G2)			
2		AAG.STUCCHI (8102-G2)	M3	8mm	35.0mm/ 2-@180°
		BJB (47.319.2030.50)			
	LUGA Shop 2014 PCB Vossloh-Schwabe				
	LUGA Shop 2014	/			





for

LED



EtraLED

EtraLED-VOS-130100 Vossloh-Schwabe Modular Passive Star LED Heat Sink Φ 130mm

The thermal data table

	
	<i>EtraLED-130100</i>
Model No.	EtraLED-VOS-130100
Size	Φ 130xH100mm
Material	AL6063-T5
Finish	Black Anodized
Weight(gr)	1384.0
Thermal Wattage	76.2W
HeatsinkOs-a²	304263
Heat Sink T_{Rise Above Ambient}	0.65

	Pd = Pe x (1-ηL)	Heat sink to ambient thermal resistance Rhs-amb (°C/W)	Heat sink to ambient temperature rise Ths-amb (°C)
		EtraLED-VOS-130100	EtraLED-VOS-130100
Dissipated Power Pd(W)	15	1.20	18.0
	25	1.00	25.0
	30	0.95	28.5
	40	0.75	30.0
	50	0.70	35.0
	55	0.68	37.4
	65	0.67	43.6
	75	0.65	48.8

