



for

LED

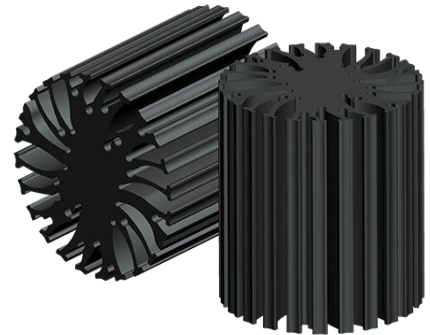


EtraLED

EtraLED-SHA-4850 Sharp Modular Passive Star LED Heat Sink Φ 48mm

Features VS Benefits

- * The EtraLED-SHA-4850 Sharp Modular Passive Star LED Heat Sinks are specifically designed for luminaires using the Sharp LED engines.
- * Mechanical compatibility with direct mounting of the LED engines to the LED cooler and thermal performance matching the lumen packages.
- * For spotlight and downlight designs from 600 to 1500 lumen.
- * Thermal resistance range R_{th} 4.2°C/W.
- * Modular design with mounting holes foreseen for direct mounting of SHARP Mini Zenigata LED engines.
- * Diameter 48mm - standard height 50mm Other heights on request.
- * Extruded from highly conductive aluminum.



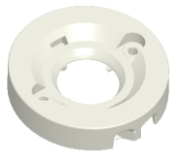
Zhaga LED engine and radiator assembly is a unified future international standardization

- * Below you find an overview of Sharp engines COB's and LED modules which standard fit on the EtraLED Star LED Heat Sinks.
- * In this way mechanical after work and related costs can be avoided, and lighting designers can standardize their designs on a limited number of Star LED Heat Sinks.

SHARP

BJB

TE
connectivity

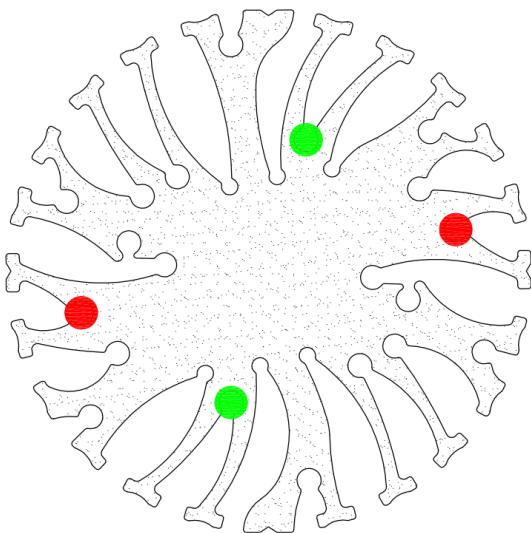


Sharp LED engines Mounting Options

Mini Mega Zenigata Modules names:

- | | |
|--------------|--------------|
| GW6BLC27C0C; | GW6BMG27HED; |
| GW6BLC30C0C; | GW6BMG30HED; |
| GW6BLC40C0C; | GW6BMG40HED; |
| GW6BLC50C0C; | GW6BMG50HED; |
| GW6BLQ27C0C; | GW6BME27HED; |
| GW6BLQ30C0C; | GW6BME30HED; |
| GW6BLQ40C0C; | GW6BME40HED; |
| GW6BLQ50C0C; | GW6BME50HED; |
| GW6BMF27JEC; | GW6BGG27HED; |
| GW6BMF30JEC; | GW6BGG30HED; |
| GW6BMF40JEC; | GW6BGG40HED; |
| GW6BMF50JEC; | GW6BGG50HED; |

Zhaga Book11 Holders:
 BJB holder:47.319.6180.50;
 A.A.G Stucchi holder:8300/G2
 Direct mounting with machine screws M3x8mm;
 Green indicator marks





LED



EtraLED

EtraLED-SHA-4850 Sharp Modular Passive Star LED Heat Sink Φ 48mm

Mounting Options and Drawings & Dimensions

Example: EtraLED-SHA-4850-B-3

Example: EtraLED-SHA-48 **1** - **2** - **3**

- 1** Height (mm)
- 2** Anodising Color
B-Black
C-Clear
Z-Custom
- 3** Mounting Options - see graphics for details Combinations available
Ex.order code - 12
means option 1 and 2 combined

Notes:

- Mentioned models are an extraction of full product range.
- For specific mechanical adaptations please contact MingfaTech.
- MingfaTech reserves the right to change products or specifications without prior notice.

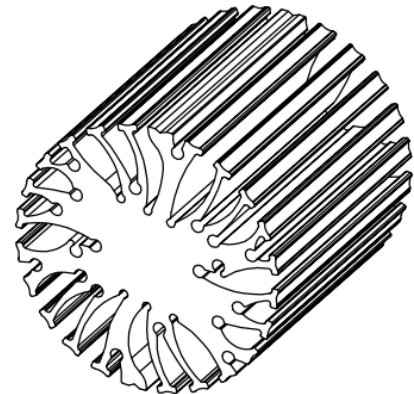
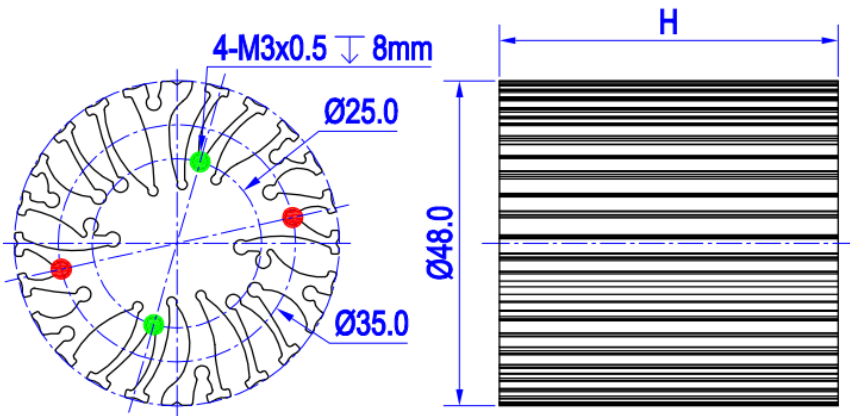
SHARP



A. A. G. STUCCHI
Ideas are made of light



MOUNTING OPTION	Module type	Holder NO.	THREAD	THREAD DEPTH	THREAD HOLE DISTANCE
1	Mini ZENIGATA	BJB (47.319.6180.50)	M3	6mm	25.0mm/ @180°
		A.A.G Stucchi (8300/G2)			
2	Mega ZENIGATA	BJB (47.319.2011.50)	M3	6mm	35.0mm/ @180°
		Type (2213130-2)			
		A.A.G Stucchi (8301/G2)			



Tel:+86-769-39023131
E-fax:+86-(020)28819702 ext:22122
Email:sales@mingfatech.com
Http://www.heatsinkled.com
Http://www.mingfatech.com



The thermal data table

	 <i>EtraLED-4850</i>
Model No.	EtraLED-SHA-4850
Size	$\Phi 48 \times H 50\text{mm}$
Material	AL6063-T5
Finish	Black Anodized
Weight(gr)	134.0
Thermal Wattage	12.0W
HeatsinkOs-a²	36868
Heat Sink T_{Rise} Above Ambient	4.2

Dissipated Power Pd(W)	Pd = Pe x (1-ηL)	
	Heat sink to ambient thermal resistance Rhs-amb (°C/W)	Heat sink to ambient temperature rise Ths-amb (°C)
	EtraLED-SHA-4850	EtraLED-SHA-4850
2.5	5.6	14.0
4.5	5.3	24.0
7.0	4.6	32.0
9.5	4.3	41.0
12.0	4.1	49.0
18.0	3.7	65.0

