

Application

Mixer, Water-pump, Oil-pump, Air-pump and etc.

Picture



Characteristics

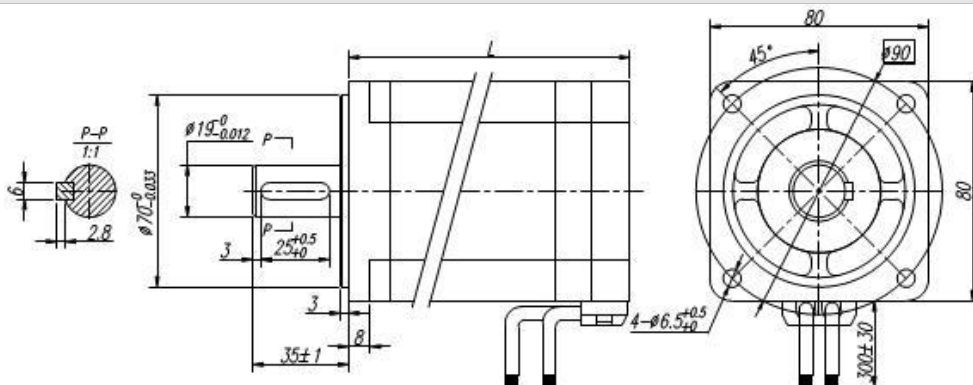
- Multi poles to increase the output torque
- Non-brush structure and long life design
- High torque density encapsulation
- High performance NdFeB magnet

Specification

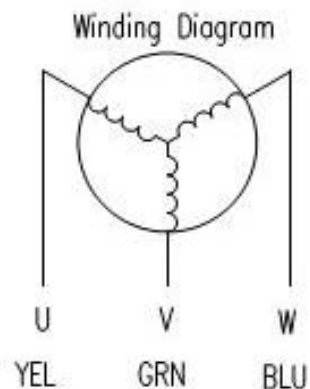
Model	Rated power	Rated voltage	Current	Number of poles	Rated speed	Rated torque	Peak torque	Moment constant	Length	Weight
	W	VDC	A		rpm	N. cm	N. cm	N. cm/A		
D805-06050	188	48	5.0	8	3000	60	180	12	103	1.86
D805-06015	188	310	1.5			60	180	40	103	1.86
D805-12030	376	310	2.96			120	360	61	133	2.67
D805-18045	565	310	4.5			180	540	40	163	3.48
D805-12731	400	310	3.1			127	380	41	130	1.78
D805-23957	750	310	5.7			239	710	42	160	2.86
D805-35892	1225	310	9.2			358	1070	39	190	3.7

*Note: We can customize the special speed, Voltage, Assembled size.

Mechanical Dimensions



Wiring Diagram



Holzer Sensor Wiring Diagram

