

# HYBRID STEPPER MOTOR

# H861(86mm) – 1.8°/step, 2/4 Phase

## GERNERAL SPECIFICATIONS

Step Angle(Accuracy )----- 1.8°(±5%)  
 Resistance Accuracy ----- ±10%  
 Inductance Accuracy ----- ±20%  
 Temperature Rise ----- 80°C Max.  
 Ambient Temperature ----- -10°C~50°C  
 Insulation Resistance ----- 100Mohm Min, 50VDC  
 Dielectric Strength ----- 500VAC for one minute  
 Shaft Radial Play ----- 0.06Max. (450 g-load)  
 Shaft Axial Play ----- 0.08Max.(450 g-load)

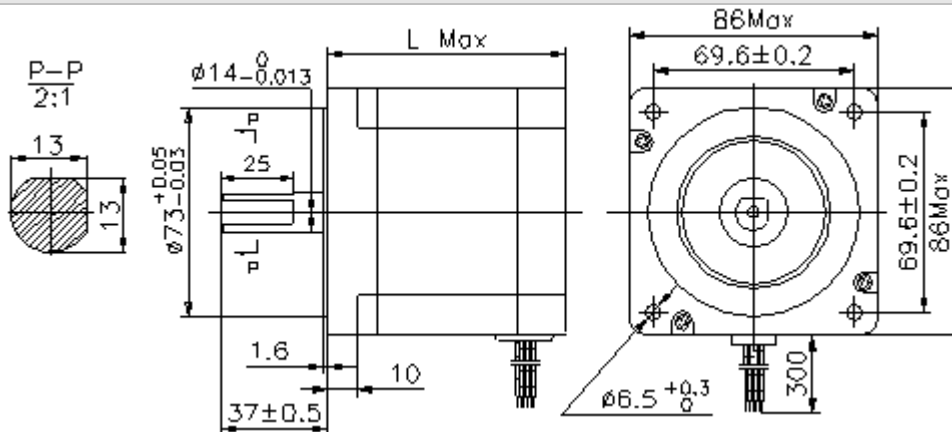
## Picture



## Electrical Specification

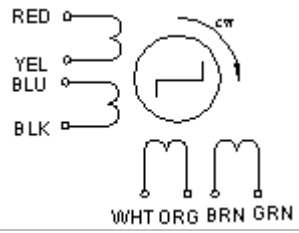
Series Model	Step Angle (°)	L (mm)	Rated Current (A)	Phase Resistance (Ω)	Phase Inductance (mH)	Holding Torque (N.cm)	Detent Torque (N.cm)	Lead Wire (NO.)	Motor Weight (kg)
H861-22040	1.8	66	4.0	0.6	1.6	220	5.5	8	2.0
H861-22050	1.8	66	5.0	0.4	1.0	220	5.5	8	2.0
H861-22027	1.8	66	2.7	1.2	3.5	220	5.5	8	2.0
H861-30040	1.8	78	4.0	0.7	3.0	300	6.5	8	2.5
H861-30050	1.8	78	5.0	0.5	1.8	300	6.5	8	2.5
H861-30027	1.8	78	2.7	1.6	5.6	300	6.5	8	2.5
H861-49040	1.8	98	4.0	0.98	4.1	490	9.5	8	3.0
H861-49050	1.8	98	5.0	0.65	2.4	490	9.5	8	3.0
H861-49027	1.8	98	2.7	1.9	8.6	490	9.5	8	3.0
H861-58040	1.8	114	4.0	1.1	5.5	580	12.5	8	3.5
H861-58050	1.8	114	5.0	0.75	3.2	580	12.5	8	3.5
H861-58027	1.8	114	2.7	2.0	11.5	580	12.5	8	3.5
H861-64040	1.8	126	4.0	1.3	5.8	640	18.5	8	1.8
H861-64050	1.8	126	5.0	0.85	3.4	640	18.5	8	1.8
H861-64027	1.8	126	2.7	2.5	12.5	640	18.5	8	1.8
H861-85040	1.8	150	4.0	1.4	9.2	850	24.5	8	4.2
H861-85050	1.8	150	5.0	0.9	5.2	850	24.5	8	4.2
H861-85027	1.8	150	2.7	2.9	17.5	850	24.5	8	4.2

## Mechanical Dimensions



### Standard Leadwire Configuration

UNI/BI-POLAR(8 LEADS)



### Complementary Products:

- Special shaft
- Encoders
- Connector
- Long leadwires