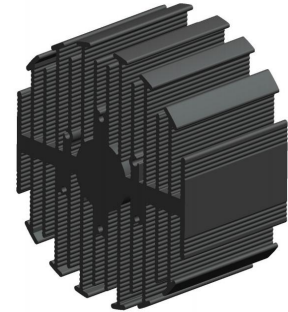


Features VS Benefits

- * The eLED-ADU-9550 Adura Modular Passive Star LED Heat Sinks are specifically designed for luminaires using the Adura LED engines.
- * Mechanical compatibility with direct mounting of the LED engines to the LED cooler and thermal performance matching the lumen packages.
- * For spotlight and downlight designs from 1800 to 4500 lumen.
- * Thermal resistance range Rth 1.35°C/W.
- * Modular design with mounting holes foreseen for direct mounting of Adura LOB series engines.
- * Diameter 95mm - standard height 50mm Other heights on request.
- * Extruded from highly conductive aluminum.

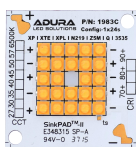
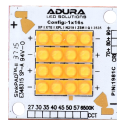


Zhaga LED engine and radiator assembly is a unified future international standardization

- * Below you find an overview of Adura LED modules which standard fit on the Star LED Heat Sinks.
- * In this way mechanical after work and related costs can be avoided, and lighting designers can standardize their designs on a limited number of Star LED Heat Sinks.



ADURA
LED SOLUTIONS



Adura LED Modules directly Mounting Options

LOB 1981C-A/1982C LED engines.

- LOB-150046D-0163535-xxx-1x16;
- LOB-300024D-0163535-xxx-2x8C;

With Zhaga Book 3 LED holder

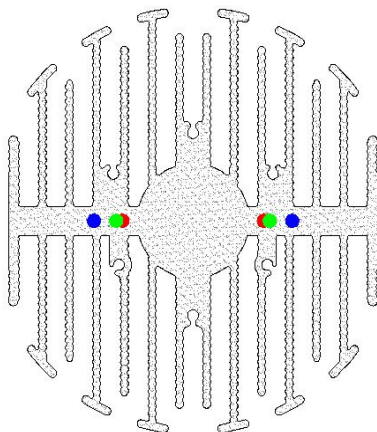
- BJB holder: 47.313.2030.50;
- Ideal Holder: 50 - 2204 CT

- Green indicator marks.
- Mounting with machine screws M3x6.5mm;
- Without LED holders for red indicator marks.
- Direct mounting with machine screws M3x6.5mm;

LOB 1983C-A/1984C LED engines.

- LOB-150072D-0243535-xxx-1x24C;
- LOB-300036D-0243535-xxx-2x12C;

- Without LED holders for blue indicator marks.
- Direct mounting with machine screws M3x6.5mm;



eLED

eLED-ADU-9550 Adura Modular Passive Star LED Heat Sink Φ 95mm

Mounting Options and Drawings & Dimensions

Example:eLED-ADU-9550-B-1,2

Example:eLED-ADU-9550-1-2-3

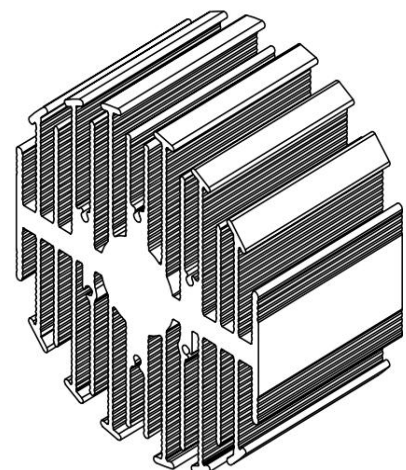
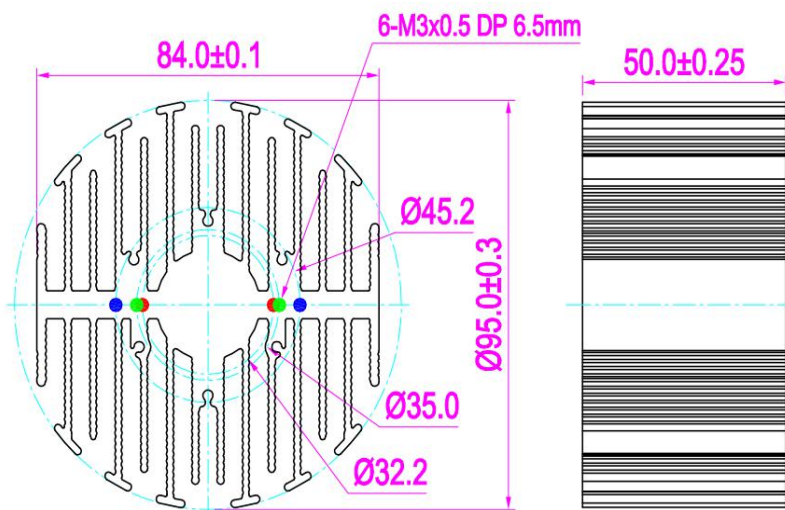
- 1** Height (mm)
- 2** Anodising Color
B-Black
C-Clear
Z-Custom
- 3** Mounting Options - see graphics for details Combinations available
Ex.order code - 12
means option 1 and 2 combined



Notes:

- Mentioned models are an extraction of full product range.
 - For specific mechanical adaptations please contact MingfaTech.
 -
 - MingfaTech reserves the right to change products or specifications without prior notice.
- Note : option 1 and option 2 can not be combined

MOUNTING OPTION	Module type	Holder NO.	THREAD	THREAD DEPTH	THREAD HOLE DISTANCE
1	1981C-A; 1982C-A;	/	M3	6.5mm	32.2mm/ 2-@180°
2	1981C-A; 1982C-A;	Ideal Holde 50-2204CT BJB 47.313.2030.50	M3	6.5mm	35.0mm/ 2-@180°
3	1983C-A; 1984C-A;	/	M3	6.5mm	45.2mm/ 2-@180°



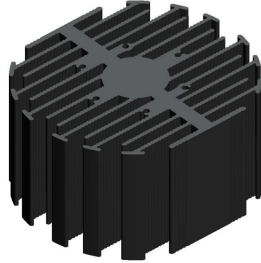
for

LED

eLED

eLED-ADU-9550 Adura Modular Passive Star LED Heat Sink Φ 95mm

The thermal data table

	 <i>eLED-9550</i>
Model No.	eLED-AUD-9550
Size	Φ95xH50mm
Material	AL6063-T5
Finish	Black Anodized
Weight(gr)	353
Thermal Wattage	40.5W
HeatsinkΘs-a²	108320
Heat Sink T_{Rise Above Ambient}	1.25

Disipated Power Pd(W)	Pd = Pe x (1- η L)	Heat sink to ambient thermal resistance Rhs-amb (°C/W)	Heat sink to ambient temperature rise Ths-amb (°C)
		eLED-AUD-9550	
10		1.80	18
20		1.40	28
30		0.97	29
40		1.25	50
50		1.18	59

