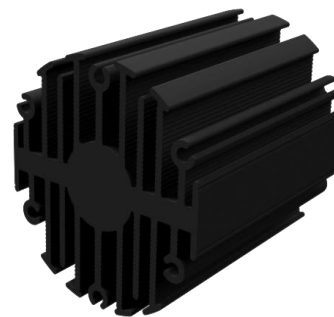


eLED

eLED-BRI-4650 Bridgelux Modular Passive Star LED Heat Sink Φ 46mm

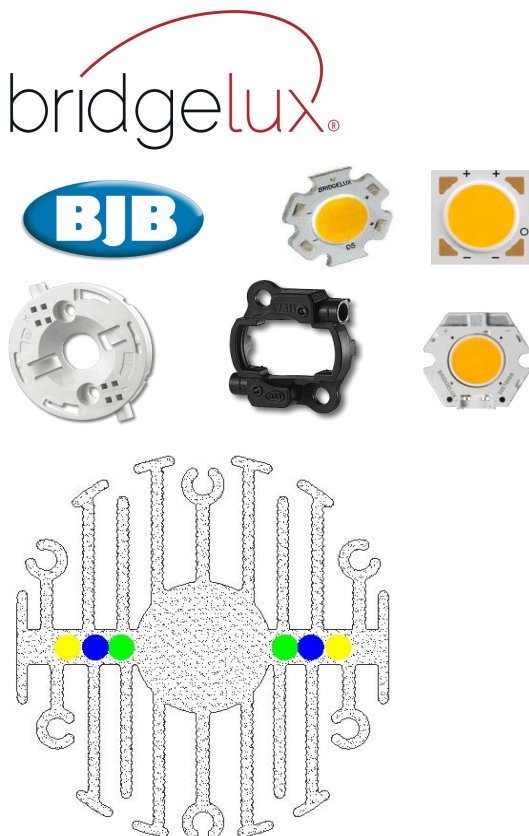
Features VS Benefits

- * The eLED-BRI-4650 Bridgelux Modular Passive Star LED Heat Sink are specifically designed for luminaires using the Bridgelux LED engines.
- * Mechanical compatibility with direct mounting of the LED engines to the LED cooler and thermal performance matching the lumen packages.
- * For spotlight and downlight designs from 450 to 1600 lumen.
- * Thermal resistance range R_{th} 5.0°C/W.
- * Modular design with mounting holes foreseen for direct mounting of Bridelux ES Star, Array V10, Vero 10 and Vero 13 Array LED engines.
- * Diameter 46.5mm - standard height 50mm Other heights on request.
- * Extruded from highly conductive aluminum.



Zhaga LED engine and radiator assembly is a unified future international standardization

- * Below you find an overview of Bridgelux COB's and LED modules which standard fit on the eLED Star LED Heat Sinks.
- * In this way mechanical after work and related costs can be avoided, and lighting designers can standardize their designs on a limited number of Star LED Heat Sinks.



Bridgelux LED Modules directly Mounting Options

ES Star Array Series LED engines names.

- | | |
|--------------------|--------------------|
| BXRA-27E0540-A-03; | BXRA-30G0740-A-03; |
| BXRA-27G0540-A-03; | BXRA-40E0600-A-03; |
| BXRA-27E0740-A-03; | BXRA-40E0810-A-03; |
| BXRA-27G0740-A-03; | BXRA-50C1000-A-03; |
| BXRA-30E0540-A-03; | BXRA-56C0700-A-03; |
| BXRA-30G0540-A-03; | BXRA-56C1000-A-03; |
| BXRA-30E0740-A-03; | |

With the BJB holder: 47.313.1001.80
Mounting with machine screws M3x6mm;
Green indicator marks.

V10 Array Series LED engines: BJB holder (47.313.6101.50)

- | | |
|--------------------|--------------------|
| BXRE-27E1000-B-03; | BXRE-40E1000-B-03; |
| BXRE-27G1000-B-03; | BXRE-50C1000-B-04; |
| BXRE-30E1000-B-03; | BXRE-50E1000-B-03; |
| BXRE-30G1000-B-03; | |

With Zhaga Book 11 for blue indicator marks:
Direct mounting with machine screws M3x8mm;

Vero 10 Array Series LED engines

- BXRC-27xxx-B-xx ;
BXRC-30xxx-B-xx ;
BXRC-35xxx-B-xx ;
BXRC-40xxx-B-xx ;
BXRC-50xxx-B-xx ;

Direct mounting with machine screws M3x6mm;
Green Indicator marks.

Vero 13 Array Series LED engines

- BXRC-27xxx-C-xx ;
BXRC-30xxx-C-xx ;
BXRC-35xxx-C-xx ;
BXRC-40xxx-C-xx ;
BXRC-50xxx-C-xx ;

Direct mounting with machine screws M3x6mm;
Yellow indicator marks.

Mounting Options and Drawings & Dimensions

Example:eLED-BRI-4650-B-1

Example:eLED-BRI-4650-1-2-3

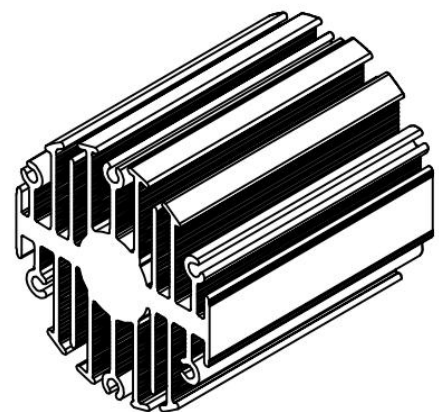
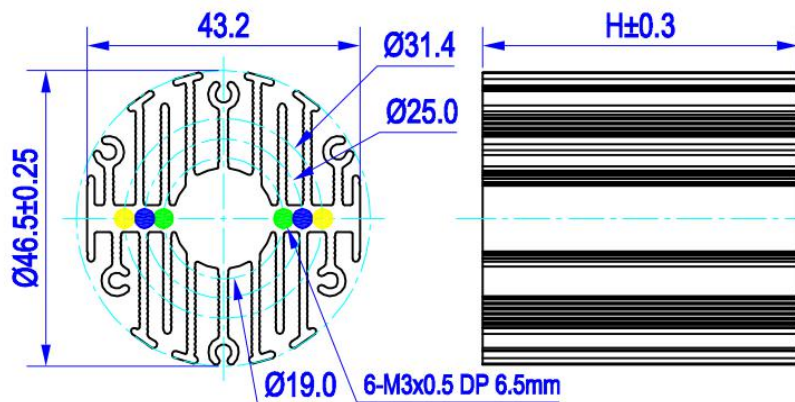
- 1** Height (mm)
- 2** Anodising Color
B-Black
C-Clear
Z-Custom
- 3** Mounting Options - see graphics for details Combinations available
Ex.order code - 12
means option 1 and 2 combined

Notes:

- Mentioned models are an extraction of full product range.
 - For specific mechanical adaptations please contact MingfaTech.
 - MingfaTech reserves the right to change products or specifications without prior notice.
- Note : option 1 and option 2 , option 2 and 3 can not be combined**



MOUNTING OPTION	Module type	Holder NO.	THREAD	THREAD DEPTH	THREAD HOLE DISTANCE
1	Vero-10 ES-Star Array	/	M3	6.5mm	19.0mm/ 2-@180°
	ES-Star Array	BJB 47.313.1001.80			
2	V10-Array	BJB 47.319.6101.50	M3	6.5mm	25.0mm/ 2-@180°
3	Vero-13	/	M3	6.5mm	31.4mm/ 2-@180°



eLED

eLED-BRI-4650 Bridgelux Modular Passive Star LED Heat Sink Φ 46mm

The thermal data table

	
	<i>eLED-4650</i>
Model No.	eLED-BRI-4650
Size	Φ46.5xH50mm
Material	AL6063-T5
Finish	Black Anodized
Weight(g)	100.9
Thermal Wattage	10.0W
HeatsinkΘs-a²	44278
Heat Sink T Rise Above Ambient	5.0

Dissipated Power Pd(W)	Pd = Pe x (1- η L)	Heat sink to ambient thermal resistance Rhs-amb ($^{\circ}$ C/W)	Heat sink toambienttemperature riseThs-amb ($^{\circ}$ C)
		eLED-BRI-4650	
3		5.67	17
6		5.50	33
9		5.22	47
12		4.83	58
15		4.33	65

