

SimpoleD

SimpoleD-PRO-160100 for Prolight Modular Passive LED Cooler Φ 160mm

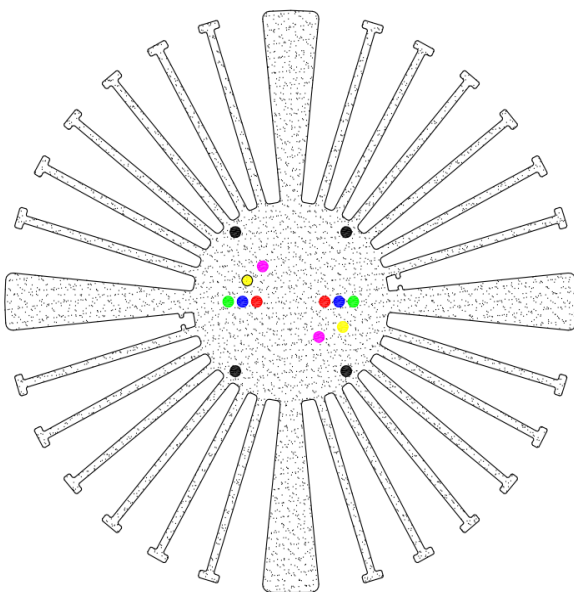
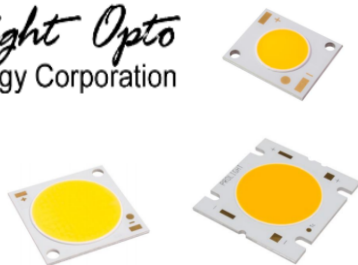
Features VS Benefits

- * The SimpoleD-PRO-160100 Prolight Modular Passive LED Coolers are specifically designed for luminaires using the Prolight LED engines.
- * Mechanical compatibility with direct mounting of the LED engines to the LED cooler and thermal performance matching the lumen packages.
- * For spotlight and downlight designs from 3,600 to 1,3000 lumen.
- * Thermal resistance range Rth 0.48°C/W.
- * Modular design with mounting holes foreseen for direct mounting of Prolight N SERIRS CI Series, CII SERIRS, CIII SERIRS BI SERIRS, BII SERIRS and BS SERIRS engines.
- * Diameter 160mm - standard height 100mm Other heights on request.
- * Extruded from highly conductive aluminum.



Prolight LED engine and radiator assembly directly Mounting Options

- * Below you find an overview of Prolight COB's which standard fit on the SimpoleD coolers.
- * In this way mechanical after work and related costs can be avoided, and lighting designers can standardize their designs on a limited number of LED coolers.



Prolight COB engines Mounting Options

COB CI Series Modules names:

PACB-5xxx-xxxx ;
PACB-7xxx-xxxx ;
PACB-9xxx-xxxx ;

Pink indicator marks: Zhaga Book 11 BJB Holder:47.319.6060.50;

Green indicator marks: Zhaga Book3 BJB Holder:47.319.2040.50

Mounting with machine screws M3x8mm ;

Red indicator marks ;

Direct mounting machine screws M3x6mm ;

COB CII SERIRS Modules names:

PACC-18xxx-xxxx ;

Blue indicator marks:

Direct mounting with machine screws M3x6mm;

COB CIII SERIRS Module names:

PACD-40xxx-xxxx ;

Blue indicator marks:

Direct mounting with machine screws M3x6mm;

COB BI SERIRS Module names:

PABA-10xxx-xxxx ;

PABA-15xxx-xxxx ;

PABA-22xxx-xxxx ;

PABA-26xxx-xxxx ;

PABA-35xxx-xxxx ;

PABA-50xxx-xxxx ;

Green indicator marks: Zhaga Book3 BJB Holder:47.319.2040.50;

Mounting with machine screws M3x8mm;

Blue indicator marks:

Direct mounting with machine screws M3x6mm;

COB BII SERIRS Modlue names:

PABB-60xxx-xxxx ;

PABB-100xxx-xxxx ;

Black indicator marks:

Direct mounting with machine screws M3x6mm;

SimpoleD

SimpoleD-PRO-160100 for Prolight Modular Passive LED Cooler Φ 160mm

Mounting Options and Drawings & Dimensions

Example: SimpoleD-PRO-160100-B-3

Example: SimpoleD-PRO-160 **1** - **2** - **3**

1 Height (mm)

2 Anodising Color

B-Black

C-Clear

Z-Custom

3 Mounting Options - see graphics for details Combinations available

Ex.order code - 12

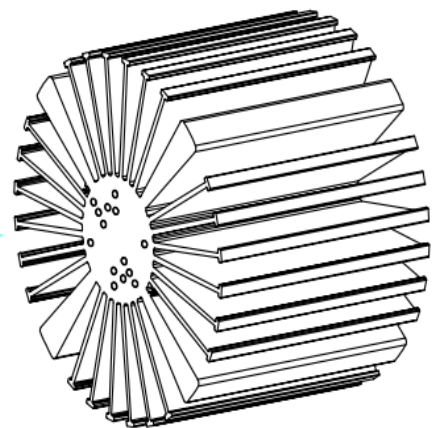
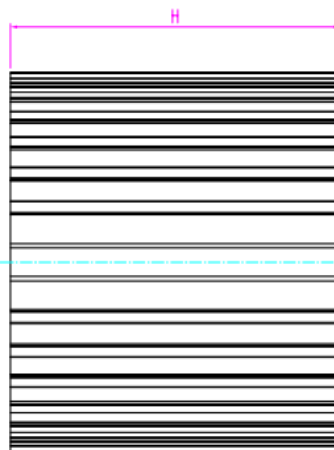
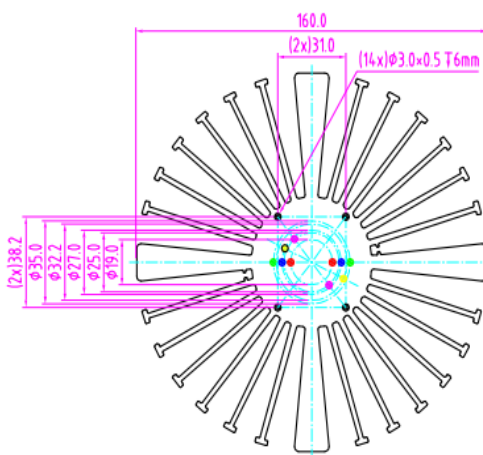
means option 1 and 2 combined

Notes:

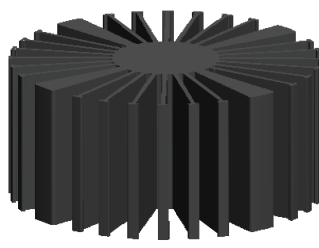
- Mentioned models are an extraction of full product range.
- For specific mechanical adaptations please contact MingfaTech.
- MingfaTech reserves the right to change products or specifications without prior notice.



MOUNTING OPTION	Module type	Holder NO.	THREAD	THREAD DEPTH	THREAD HOLE DISTANCE
1	COB CI Series COB BS SERIRS	/	M3	6mm	19mm/ 2-@180°
2	COB CI Series	BJB:47.319.6060.50;	M3	6mm	25mm/ 2-@180° Zhaga Book 11
3	COB N SERIRS COB BI SERIRS COB CII SERIRS	/	M3	6mm	27mm/ 2-@180°
4	COB CIII SERIRS	/	M3	6mm	32.2mm/ 2-@180°
5	COB CI Series COB BI SERIRS	BJB:47.319.2040.50;	M3	6mm	35mm/ 2-@180° Zhaga Book3
6	COB BII SERIRS	/	M3	6mm	(2x)31mm* (2x)38.2mm



The thermal data table

	 <i>SimpLED-160100</i>
Model No.	SimpLED-PRO-160100
Size	Φ160xH100mm
Material	AL6063-T5
Finish	Black Anodized
Weight(gr)	2104.0
Thermal Wattage	100.2W
HeatsinkΘs-a²	324742
Heat Sink T Rise Above Ambient	0.48

Pd = Pe x (1- η L)	Heat sink to ambient thermal resistance Rhs-amb ($^{\circ}$ C/W)	Heat sink to ambient temperature rise Ths-amb ($^{\circ}$ C)
	SimpLED-PRO-160100	SimpLED-PRO-160100
15.0	0.64	9.6
30.0	0.56	16.8
45.0	0.52	23.4
60.0	0.50	30.0
75.0	0.48	36.0
90.0	0.46	41.4
100.0	0.48	48.0

