

SimpoleD

SimpoleD-SAM-13550 for Samsung Modular Passive LED Cooler Φ 135mm

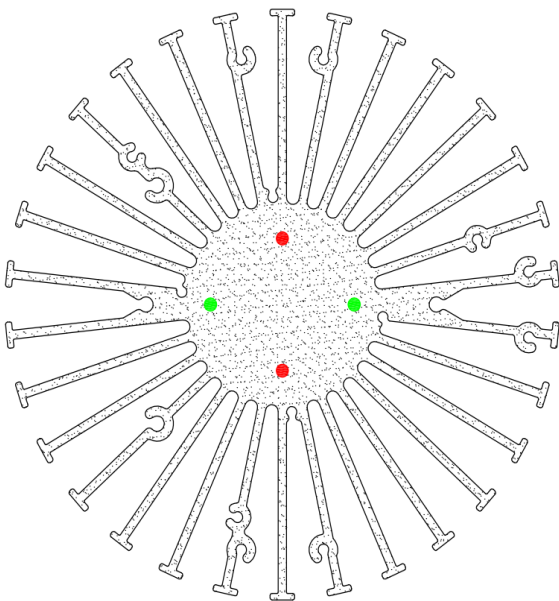
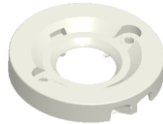
Features VS Benefits

- * The SimpoleD-SAM-13550 Samsung Modular Passive LED Coolers are specifically designed for luminaires using the Samsung LED engines.
- * Mechanical compatibility with direct mounting of the LED engines to the LED cooler and thermal performance matching the lumen packages.
- * For spotlight and downlight designs from 2,100 to 6500 lumen.
- * Thermal resistance range Rth 0.82°C/W.
- * Modular design with mounting holes foreseen for direct mounting of Samsung COB LED engines.
- * Diameter 135mm - standard height 50mm. Other heights on request.
- * Extruded from highly conductive aluminum.



Samsung LED engine and radiator assembly directly Mounting Options

- * Below you find an overview of Samsung COB's and LED modules which standard fit on the SimpoleD coolers.
- * In this way mechanical after work and related costs can be avoided, and lighting designers can standardize their designs on a limited number of LED coolers.



Samsung LED Modules Mounting indicator marks overview

For the LC033 B LED engines.

- SPHWW1HDND25YHW33P;
- SPHWW1HDND25YHV33P;
- SPHWW1HDND25YHU33P;
- SPHWW1HDND25YHT33P;
- SPHCW1HDND25YHRT3P;

For the LC040 B LED engines.

- SPHWW1HDNE25YHW34J;
- SPHWW1HDNE25YHV34J;
- SPHWW1HDNE25YHU34J;
- SPHWW1HDNE25YHT34J;
- SPHCW1HDNE25YHRT4J;

NO 1: With Zhaga Book3 Holders:

TE Connectivity: Z50 2213258-2;

Green indicator marks

Mounting with machine screws M3x6mm;

NO 2: Without holder:

Direct mounting with machine screws M3x6mm;

Red indicator marks.



for

LED



SimpoleD

SimpoleD-SAM-13550 for Samsung Modular Passive LED Cooler Φ 135mm

Mounting Options and Drawings & Dimensions

Example: SimpoleD-SAM-13550-B-3

Example: SimpoleD-SAM-135 **1** - **2** - **3**

1 Height (mm)

2 Anodising Color

B-Black

C-Clear

Z-Custom

3 Mounting Options - see graphics for details Combinations available

Ex.order code - 12

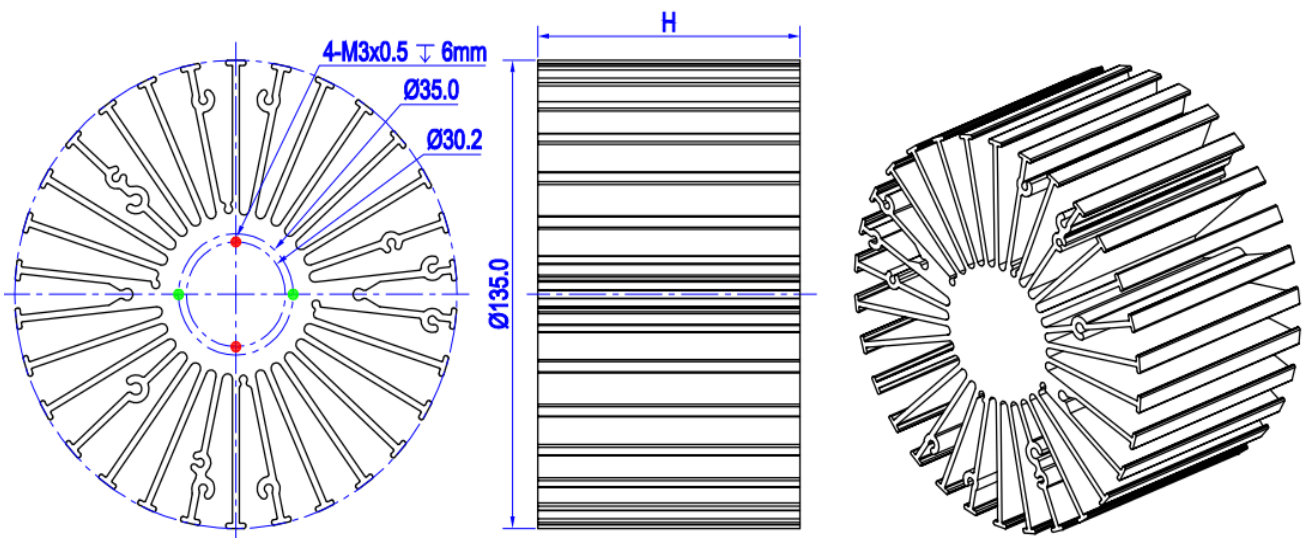
means option 1 and 2 combined



Notes:

- Mentioned models are an extraction of full product range.
- For specific mechanical adaptations please contact MingfaTech.
- MingfaTech reserves the right to change products or specifications without prior notice.


MOUNTING OPTION	Module type	Holder NO.	THREAD	THREAD DEPTH	THREAD HOLE DISTANCE
1	LC033B	/	M3	6mm	30.2mm/ @2-180°
2	LC040B	Type 2-2154857-3	M3	6mm	35.0mm/ @2-180°



SimpOLED

SimpOLED-SAM-13550 for Samsung Modular Passive LED Cooler Φ 135mm

The thermal data table

	
	<i>SimpOLED-13550</i>
Model No.	SimpOLED-SAM-13550
Size	Φ135xH50mm
Material	AL6063-T5
Finish	Black Anodized
Weight(gr)	638.0
Thermal Wattage	60.3W
HeatsinkOs-a²	155618
Heat Sink T_{Rise Above Ambient}	0.82

Dissipated Power Pd(W)	Pd = Pe x (1-ηL)	Heat sink to ambient thermal resistance Rhs-amb (°C/W)	Heat sink to ambient temperature rise Ths-amb (°C)
		SimpOLED-SAM-13550	SimpOLED-SAM-13550
15.0		1.20	18.0
30.0		1.00	30.0
45.0		0.90	40.5
60.0		0.82	49.2
75.0		0.71	53.3
90.0		0.68	61.2

