



for

LED

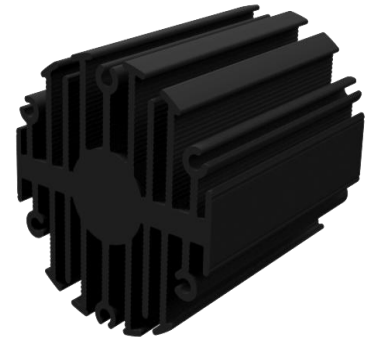


eLED

eLED-EDI-4650 Edison Modular Passive Star LED Heat Sink Φ 46mm

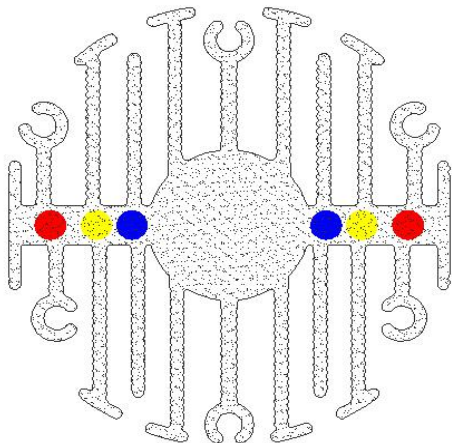
Features VS Benefits

- * The eLED-EDI-4650 Edison Modular Passive Star LED Heat Sinks are specifically designed for luminaires using the Edison LED engines.
- * Mechanical compatibility with direct mounting of the LED engines to the LED cooler and thermal performance matching the lumen packages.
- * For spotlight and downlight designs from 450 to 1200 lumen.
- * Thermal resistance range R_{th} 5.0°C/W.
- * Modular design with mounting holes foreseen for direct mounting of Edison EdiLex SLM and EdiLex II COB LED engines.
- * Diameter 46.5mm - standard height 50mm Other heights on request.
- * Extruded from highly conductive aluminum.



Zhaga LED engine and radiator assembly is a unified future international standardization

- * Below you find an overview of Edison engines COB's and LED modules which standard fit on the eLED Star LED Heat Sinks.
- * In this way mechanical after work and related costs can be avoided, and lighting designers can standardize their designs on a limited number of Star LED Heat Sinks.



Edison LED Modules directly Mounting Options

For the EdiLex Spot Light Module (SLM).

- 5PHR09WW S0010002;
- 5PHR09NW S0010002;
- 5PHR11WW S0010002;
- 5PHR11NW S0010002;

Zhaga Book3 red indicator marks:

Direct mounting with machine screws M3x8mm;

Edison LED engines for which Zhaga book11 LED Modules holders are available.

For the EdiLex II CAC Series LED engines.

(Ideal Holder: 50-2000CR);(BJB holder:47.319.6120.50);

- 2PCA04WW 27P21001;
- 2PCA04NW 27P21001;
- 2PCA04CW 27P21001;

For the EdiLex II CAC Series LED engines. (BJB holder:47.319.6101.50);

- 2PCA07WW 27P22001;
- 2PCA07NW 27P22001;
- 2PCA07CW 27P22001;

For the EdiLex II HM Series LED engines.

(AAG.STUCCHI holder:8100-G2); (BJB holder:47.319.6060.50);

- 2PHM05WW 27P12001;
- 2PHM05NW 27P12001;
- 2PHM05CW 27P12001;
- 2PHM09WW 27P12001;
- 2PHM09NW 27P12001;
- 2PHM09CW 27P12001;

For the EdiLex II HM CRI90 Series LED engines.

(AAG.STUCCHI holder:8100-G2); (BJB holder:47.319.6060.50);

- 2PHM05WW 38P12001;
- 2PHM05NW 38P12001;
- 2PHM05CW 38P12001;
- 2PHM09WW 38P12001;
- 2PHM09NW 38P12001;
- 2PHM09CW 38P12001;

Zhaga Book11 green indicator marks:

Direct mounting with machine screws M3x8mm;

Tel:+86-769-39023131

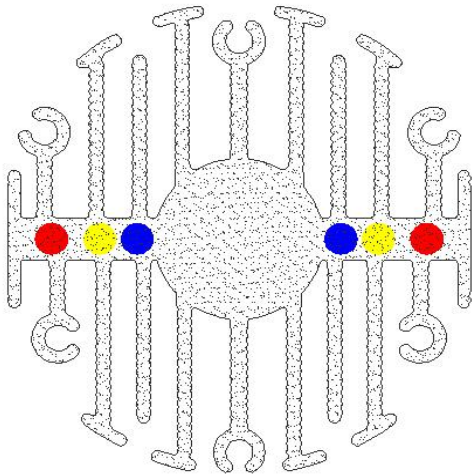
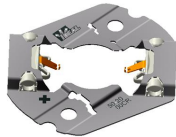
E-fax:+86-(020)28819702 ext:22122

Email:sales@mingfatech.com

Http://www.heatsinkled.com

Http://www.mingfatech.com





For the EdiLex II HM Series (PAR) LED engines.
(AAG.STUCCHI holder:8100-G2); (BJB holder:47.319.6060.50);

2PHM13WW27P12001;
2PHM13NW27P12001;
2PHM13CW27P12001;

For the EdiLex II MV Series LED engines.
(AAG.STUCCHI holder:8100-G2); (BJB holder:47.319.6060.50);

Edison LED engines directly Mounting Options

For the EdiLex II SD Series LED engines.

2PSD15WW01P02001;
2PSD15NW05P02001;
2PSD15CW06P02001;

For the EdiLex II LC Series LED engines.

2PLC15WW05P02001;
2PLC15NW05P02001;
2PLC15CW06P02001;

For the EdiLex II HV Series LED engines.

2PHV09WW05P02001;
2PHV09NW05P02001;
2PHV09CW06P02001;
2PHV13WW05P02001;
2PHV13NW05P02001;
2PHV13CW06P02001;

Direct mounting with machine screws M3x8mm;
Yellow indicator marks.

For the EdiLex II Star CR190 Series LED engines.

2PHV06WW38P05001;
2PHV06NW38P05001;
2PHV06CW38P05001;
2PHV10WW38P05001;
2PHV10NW38P05001;
2PHV10CW38P05001;

For the EdiLex II Star Series LED engines.

2PHV06WW27P05001;
2PHV06NW27P05001;
2PHV06CW27P05001;
2PHV10WW27P05001;
2PHV10NW27P05001;
2PHV10CW27P05001;

For the EdiLex II CM Series LED engines.

2PCM09WW11P26001;
2PCM09NW11P26001;
2PCM09CW11P26001;

Direct mounting with machine screws M3x6mm;
Blue indicator marks.

Please refer to the "<http://www.edison-opto.com>" data provided on the manual.



for

LED



eLED

eLED-EDI-4650 Edison Modular Passive Star LED Heat Sink Φ 46mm

Mounting Options and Drawings & Dimensions

Example: eLED-EDI-4650-B-1,2

Example: eLED-EDI-4650-1-2-3

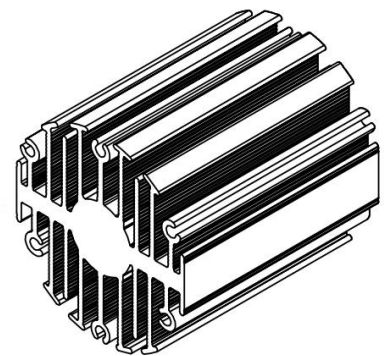
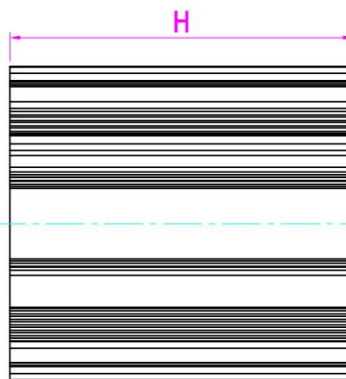
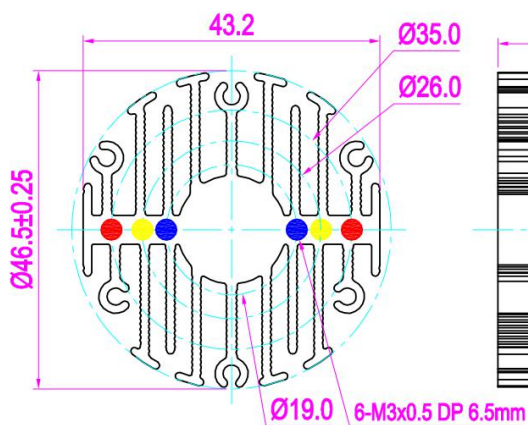
- 1** Height (mm)
- 2** Anodising Color
B-Black
C-Clear
Z-Custom
- 3** Mounting Options - see graphics for details Combinations available
Ex.order code - 12
means option 1 and 2 combined

Notes:

- Mentioned models are an extraction of full product range.
 - For specific mechanical adaptations please contact MingfaTech.
 - MingfaTech reserves the right to change products or specifications without prior notice.
- Note : option 1 and option 2 can not be combined**



MOUNTING OPTION	Module type	Holder NO.	THREAD	THREAD DEPTH	THREAD HOLE DISTANCE
1	EdiLex II CM EdiLex II Star	/	M3	6.5mm	19.0mm/ 2-@180°
2	EdiLex II SD EdiLex II HV EdiLex II LC	/	M3	6.5mm	26.0mm/ 2-@180°
3	EdiLex II SLM	/	M3	6.5mm	35.0mm/ 2-@180°



The thermal data table

	
	<i>eLED-4650</i>
Model No.	eLED-EDI-4650
Size	Φ 46.5xH50mm
Material	AL6063-T5
Finish	Black Anodized
Weight(gr)	101
Thermal Wattage	10.0W
HeatsinkΘs-a²	41280
Heat Sink T Rise Above Ambient	5.0

Dissipated Power Pd(W)	Pd = Pe x (1-ηL)	Heat sink to ambient thermal resistance Rhs-amb (°C/W)	Heat sink to ambient temperature rise T _{hs-amb} (°C)
		eLED-EDI-4650	
3		5.67	17
6		5.50	33
9		5.22	47
12		4.83	58
15		4.33	65

