



for

LED



SimpoleD

SimpoleD-BRI -13550 for Bridgelux for Modular Passive LED Cooler Φ 135mm

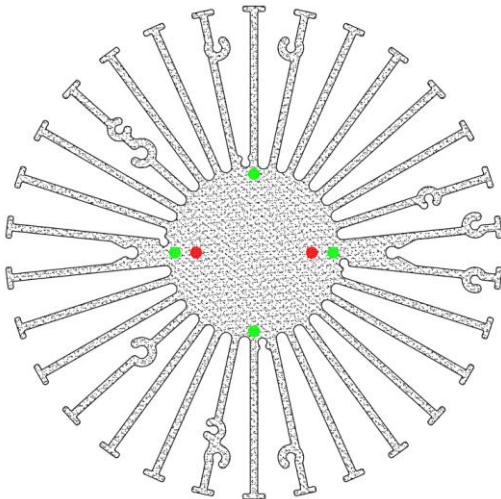
Features VS Benefits

- * The SimpoleD-13550 Bridgelux Modular Passive LED Coolers are specifically designed for luminaires using the Bridgelux LED engines.
- * Mechanical compatibility with direct mounting of the LED engines to the LED cooler and thermal performance matching the lumen packages.
- * For spotlight and downlight designs from 2100 to 7200 lumen.
- * Thermal resistance range Rth 0.85C/W.
- * Modular design with mounting holes foreseen for direct mounting of Bridelux Vero 18 Array Series and Vero 29 Array Series COB engines.
- * Diameter 135mm - standard height 50mm Other heights on request.
- * Extruded from highly conductive aluminum.



Bridgelux LED engine and radiator assembly directly Mounting Options

- * Below you find an overview of Bridgelux COB's and LED modules which standard fit on the SimpoleD coolers.
- * In this way mechanical after work and related costs can be avoided, and lighting designers can standardize their designs on a limited number of LED coolers.



Bridgelux LED Modules directly Mounting Options

Vero 18 Array Series LED engines

- BXRC-27E4000-F-xx ;
- BXRC-27G4000-F-xx ;
- BXRC-27H4000-F-xx ;
- BXRC-30E4000-F-xx ;
- BXRC-30G4000-F-xx ;
- BXRC-30H4000-F-xx ;
- BXRC-35E4000-F-xx ;
- BXRC-40E4000-F-xx ;
- BXRC-50E4000-F-xx ;

Direct mounting with machine screws M3x8mm;
Red indicator marks.

Vero 29 Array Series LED engines

- BXRC-27E10K0-L-xx ;
- BXRC-27G10K0-L-xx ;
- BXRC-30E10K0-L-xx ;
- BXRC-30G10K0-L-xx ;
- BXRC-35E10K0-L-xx ;
- BXRC-40E10K0-L-xx ;
- BXRC-50E10K0-L-xx ;

Direct mounting with machine screws M3x8mm;
Gree indicator marks.



for

LED



SimpoleD

SimpoleD-BRI -13550 for Bridgelux for Modular Passive LED Cooler Φ 135mm

Mounting Options and Drawings & Dimensions

Example: SimpoleD-BRI-13550-B-2

Example: SimpoleD-BRI-135 **1** - **2** - **3**

1 Height (mm)

2 Anodising Color

B-Black

C-Clear

Z-Custom

3 Mounting Options - see graphics for details Combinations available

Ex.order code - 12

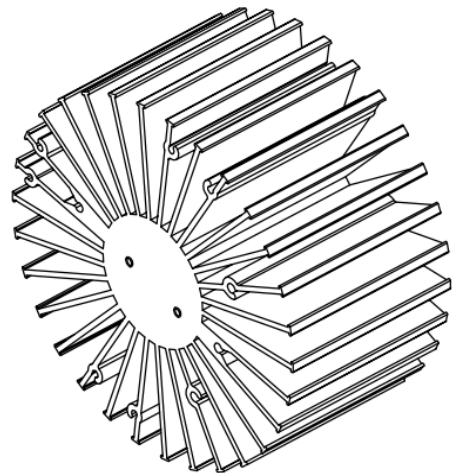
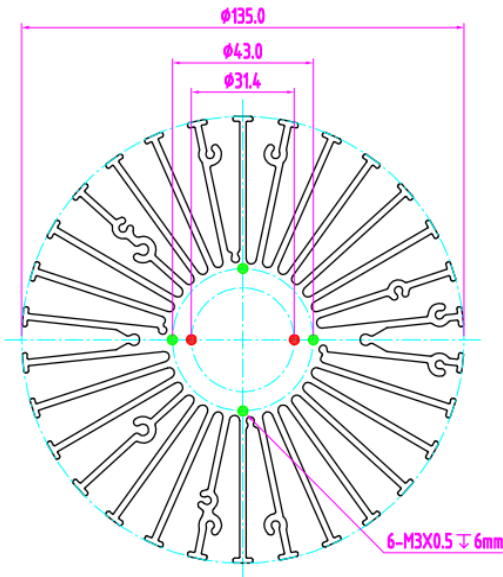
means option 1 and 2 combined



Notes:

- Mentioned models are an extraction of full product range.
- For specific mechanical adaptations please contact MingfaTech.
- MingfaTech reserves the right to change products or specifications without prior notice.

MOUNTING OPTION	Module type	Holder NO.	THREAD	THREAD DEPTH	THREAD HOLE DISTANCE
1	Vero-18	/	M3	6mm	31.4mm/ 2-@180°
2	Vero-29	/	M3	6mm	43.0mm/ 4-@90°



SimpoleD

SimpoleD-BRI -13550 for Bridgelux for Modular Passive LED Cooler Φ 135mm

The thermal data table

	 <i>SimpoleD-13550</i>
Model No.	SimpoleD-BRI-13550
Size	Φ135xH50mm
Material	AL 6063-T5
Finish	Black Anodized
Weight(g)	638.0
Thermal Wattage	60.3W
HeatsinkΘs-a²	155618
Heat Sink T Rise Above Ambient	0.85

Dissipated Power Pd(W)	Pd = Pe x (1- η L)	Heat sink to ambient thermal resistance Rhs-amb ($^{\circ}$ C/W)	Heat sink to ambient temperature rise Ths-amb ($^{\circ}$ C)
		SimpoleD-BRI-13550	SimpoleD-BRI-13550
15		1.20	18.0
30		1.00	30.0
45		0.90	40.5
60		0.82	49.2
75		0.71	53.3
90		0.68	61.2

