



for

LED

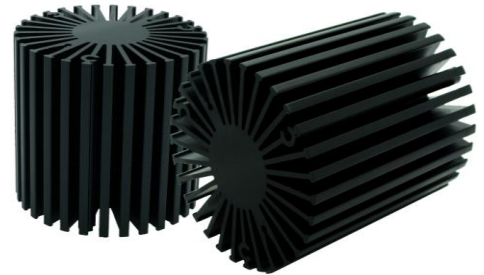


*SimpoleLED*

**SimpoleLED-CRE-5850 for Cree Modular Passive LED Cooler  $\Phi$ 58mm**

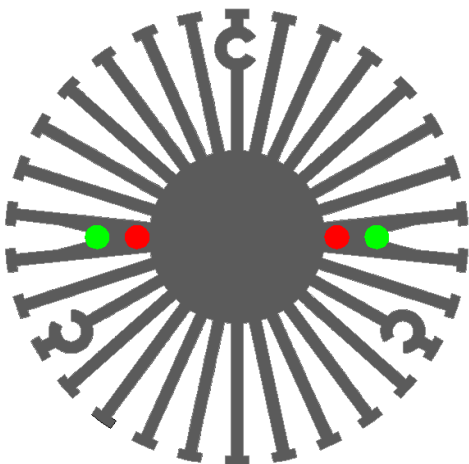
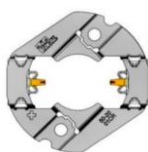
**Features VS Benefits**

- \* The SimpoleLED-CRE-5850 Cree Modular Passive LED Coolers are specifically designed for luminaires using the Cree LED engines.
- \* Mechanical compatibility with direct mounting of the LED engines to the LED cooler and thermal performance matching the lumen packages.
- \* For spotlight and downlight designs from 400 to 1500 lumen.
- \* Thermal resistance range Rth 3.7°C/W.
- \* Modular design with mounting holes foreseen for direct mounting of Cree Lxamp CXA13xx and CXA15xx COB engines.
- \* Diameter 58mm - standard height 50mm Other heights on request.
- \* Extruded from highly conductive aluminum.



**Zhaga LED engine and radiator assembly is a unified future international standardization**

- \* Below you find an overview of Cree COB's which standard fit on the SimpoleLED coolers.
- \* In this way mechanical after work and related costs can be avoided, and lighting designers can standardize their designs on a limited number of LED coolers.



**CREE LED modules with holeddrs Mounting Options.**

Cree LED Modules and Ideal holders:

Cree Lxamp CXA1507 LED Modules: (Ideal Holder:50-2001CR)

Maximum drive current optional: 750mA (18V); 375mA (37V);

Cree Lxamp CXA1512 LED Modules: (Ideal Holder:50-2001CR)

Maximum drive current optional: 800mA (18V); 400mA (37V);

Please refer to the data files on [www.idealindustries.com](http://www.idealindustries.com), which is the detail of Ideal holders application guide

Zhaga Book3 Green indicator marks:  
Direct mounting with machine screws M3x6mm;  
Green indicator marks.

**Cree LED Modules for BJB and Ideal holder irectly Mounting Options.**

Cree Lxamp CXA1304 LED Modules: (Ideal Holder: 50-2000CR), (BJB holder: 47.319.6120.50)

Maximum drive current optional: 400mA (9V); 200mA (18V); 100mA (27V);

Cree Lxamp CXA1310 LED Modules: (Ideal Holder: 50-2000CR), (BJB holder: 47.319.6120.50)

Maximum drive current optional: 900mA (18V); 450mA (36V);

Cree Lxamp CXA1507 LED Modules: (BJB holder: 47.319.6101.50)

Maximum drive current optional: 750mA (18V); 375mA (37V);

Cree Lxamp CXA1512 LED Modules: (BJB holder: 47.319.6101.50)

Maximum drive current optional: 800mA (18V); 400mA (37V);

Please refer to the data files on [www.idealindustries.com](http://www.idealindustries.com), which is the detail of Ideal holders application guide

Direct mounting with machine screws M3x6mm;  
Red indicator marks.

Please refer to the [www.cree.com](http://www.cree.com) data provided on the manual.

Tel: +86-769-39023131  
 E-fax: +86-(020)28819702 ext:22122  
 Email:sales@mingfatech.com  
 Http://www.heatsinkled.com  
 Http://www.mingfatech.com





*SimpoleD*

**SimpoleD-CRE-5850 for Cree Modular Passive LED Cooler  $\Phi$ 58mm**

**Mounting Options and Drawings & Dimensions**

Example: SimpoleD-CRE-5850-B-3

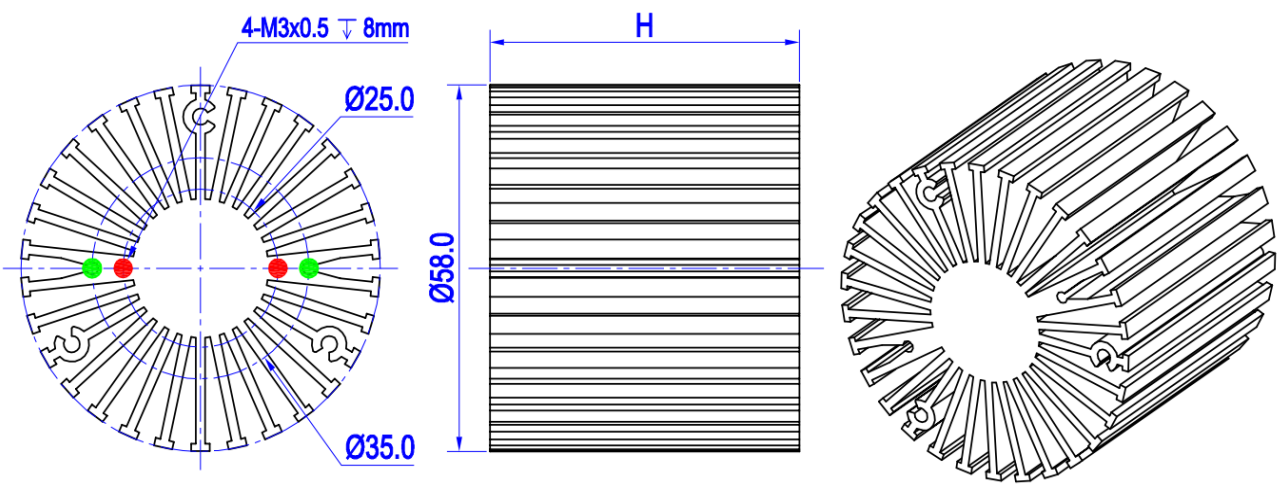
Example: SimpoleD-CRE-58 **1** - **2** - **3**

- 1** Height (mm)
- 2** Anodising Color  
B-Black  
C-Clear  
Z-Custom
- 3** Mounting Options - see graphics for details Combinations available  
Ex.order code - 12  
means option 1 and 2 combined

Notes:  
 - Mentioned models are an extraction of full product range.  
 - For specific mechanical adaptations please contact MingfaTech.  
 - MingfaTech reserves the right to change products or specifications without prior notice.



MOUNTING OPTION	Module type	Holder NO.	THREAD	THREAD DEPTH	THREAD HOLE DISTANCE
1	CXA-13xx ;	BJB: 47.319.6120.50 IDEAL:50-2000CR	M3	6mm	25mm/ 2-@180° Zhaga Book11
2	CXA-15xx ;	BJB: 47.319.6101.50 IDEAL:50-2001CR	M3	6mm	35mm/ 2-@180° Zhaga Book3
	CXA18XX ;	BJB:47.319.2130.50 IDEAL:50-2101CR			
	CXA1830 ;	BJB:50-2001CR			
	CXA25xx ;	BJB:47.319.2140.50 IDEAL:50-2102CR			
	CXA30xx ;	BJB:47.319.2150.50 IDEAL:50-2234C			
	CXA35xx ;	IDEAL:50-2303CR			



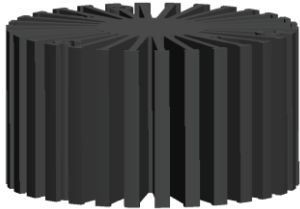
Tel: +86-769-39023131  
 E-fax: +86-(020)28819702 ext:22122  
 Email:sales@mingfatech.com  
 Http://www.heatsinkled.com  
 Http://www.mingfatech.com



*SimpoleD*

**SimpoleD-CRE-5850 for Cree Modular Passive LED Cooler  $\Phi$ 58mm**

The thermal data table

	 <i>SimpoleD-5850</i>
<b>Model No.</b>	<b>SimpoleD-CRE-5850</b>
<b>Size</b>	<b><math>\Phi</math>58xH50mm</b>
<b>Material</b>	<b>AL6063-T5</b>
<b>Finish</b>	<b>Black Anodized</b>
<b>Weight(gr)</b>	<b>174.0</b>
<b>Thermal Wattage</b>	<b>12.2W</b>
<b>HeatsinkOs-a<sup>2</sup></b>	<b>65036</b>
<b>Heat Sink T Rise Above Ambient</b>	<b>3.7</b>

	Pd = Pe x (1- $\eta$ L)	Heat sink to ambient thermal resistance Rhs-amb ( $^{\circ}$ C/W)	Heat sink to ambient temperature rise Ths-amb ( $^{\circ}$ C)
		SimpoleD-CRE-5850	SimpoleD-CRE-5850
Dissipated Power Pd(W)	3	4.83	14.5
	6	4.16	25.0
	9	3.82	34.4
	12	3.58	43.0
	15	3.40	51.0

