



for

LED

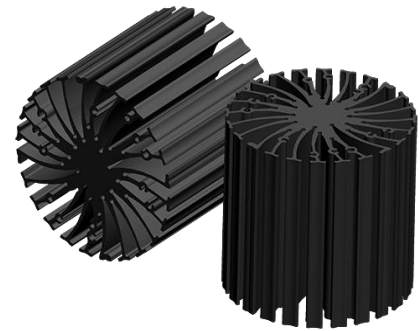


EtraLED

EtraLED-PHI-8580 for Philips Modular Passive Star LED Heat Sink Φ 85mm

Features VS Benefits

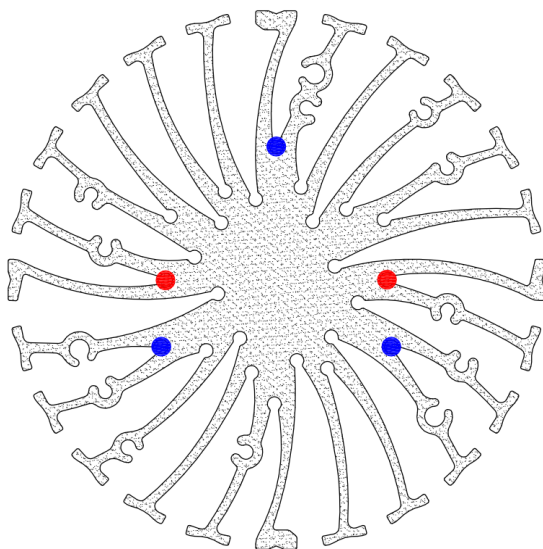
- * The EtraLED-PHI-8580 Philips Modular Passive LED Coolers are specifically designed for luminaires using the Philips LED engines.
- * Mechanical compatibility with direct mounting of the LED engines to the LED cooler and thermal performance matching the lumen packages.
- * For spotlight and downlight designs from 1400 to 4400 lumen.
- * Thermal resistance range R_{th} 1.3°C/W.
- * Modular design with mounting holes foreseen for direct mounting of Philips SLM engines.
- * Diameter 85mm - standard height 80mm Other heights on request.
- * Extruded from highly conductive aluminum.



Zhaga LED engine and radiator assembly is a unified future international standardization

- * Below you find an overview of philips engines COB's and LED modules which standard fit on the EtraLED coolers.
- * In this way mechanical after work and related costs can be avoided, and lighting designers can standardize their designs on a limited number of LED coolers.

PHILIPS



Zhaga Book3 Spot Light LED engines

Philips LED engines for which Zhaga book3 LED Modules holders are available.

Philips Fortimo SLM LED modular Gen4:

- Fortimo LED SLM 2000LM 927 L13 G4;
- Fortimo LED SLM 2000LM 930 L13 G4;
- Fortimo LED SLM 3000LM 830 L15 G4;
- Fortimo LED SLM 3000LM 840 L15 G4;
- Fortimo LED SLM 3000LM 927 L15 G4;
- Fortimo LED SLM 3000LM 930 L15 G4;

Philips Fortimo SLM LED modular Gen3:

- Fortimo LED SLM 2000LM 930 L19 G3;
- Fortimo LED SLM 3000LM 830 L19 G3;
- Fortimo LED SLM 3000LM 840 L19 G3;

Philips Fortimo SLM LED modular Gen2:

- Fortimo LED SLM 2000LM 827 L19 G2;
- Fortimo LED SLM 2000LM 835 L19 G2;

NO*1: Blue indicator marks:

Direct mounting with machine screws M3x8mm;

NO*2: With Zhaga Book 3 LED holder for red indicator marks.

Direct mounting with machine screws M3x8mm;

Tel:+86-769-39023131

E-fax:+86-(020)28819702 ext:22122

Email:sales@mingfatech.com

Http://www.heatsinkled.com

Http://www.mingfatech.com





for

LED



EtraLED

EtraLED-PHI-8580 for Philips Modular Passive Star LED Heat Sink Φ 85mm

Mounting Options and Drawings & Dimensions

Example: EtraLED-PHI-8580-B-3

Example: EtraLED-PHI-85 **1** - **2** - **3**

- 1** Height (mm)
- 2** Anodising Color
B-Black
C-Clear
Z-Custom
- 3** Mounting Options - see graphics for details Combinations available
Ex.order code - 12
means option 1 and 2 combined

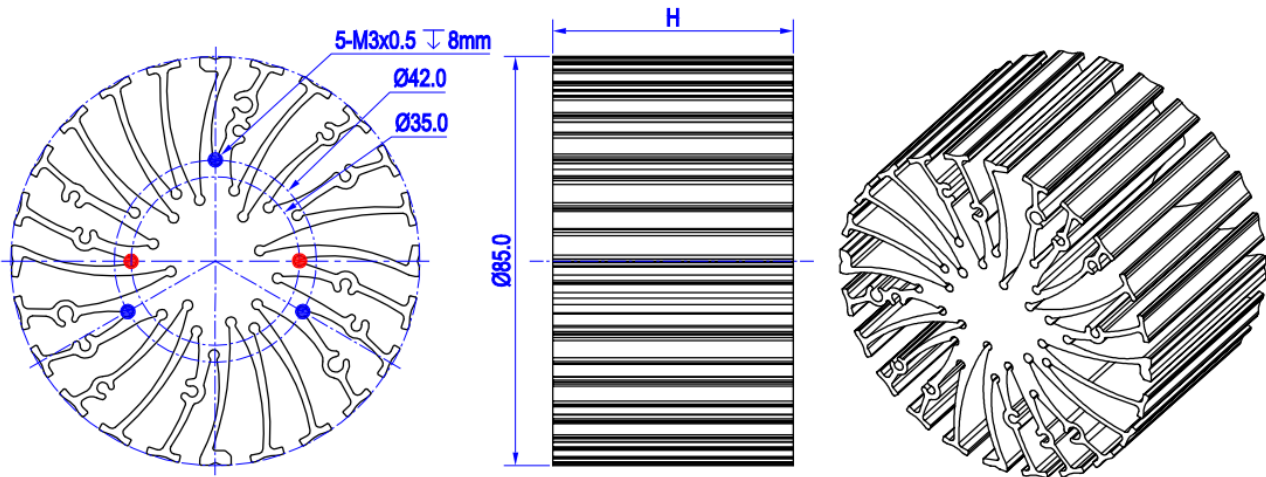
Notes:

- Mentioned models are an extraction of full product range.
- For specific mechanical adaptations please contact MingfaTech.
- MingfaTech reserves the right to change products or specifications without prior notice.

PHILIPS



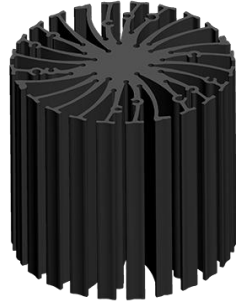
MOUNTING OPTION	Module type	Holder NO.	THREAD	THREAD DEPTH	THREAD HOLE DISTANCE
1	Fortimo SLM	/	M3	8mm	35.0mm/ 2-@180°
2		/	M3	8mm	42.0mm/ 3-@120°



EtraLED

EtraLED-PHI-8580 for Philips Modular Passive Star LED Heat Sink Φ 85mm

The thermal data table

	 <i>EtraLED-8580</i>
Model No.	EtraLED-PHI-8580
Size	Φ85xH80mm
Material	AL6063-T5
Finish	Black Anodized
Weight(gr)	458.0
Thermal Wattage	38.0W
HeatsinkΘs-a²	148458
Heat Sink T Rise Above Ambient	1.3

	Pd = Pe x (1- η L)	Heat sink to ambient thermal resistance Rhs-amb (°C/W)	Heat sink to ambient temperature rise Ths-amb (°C)
		EtraLED-PHI-8580	EtraLED-PHI-8580
Dissipated Power Pd(W)	10	1.9	19
	15	1.7	26
	20	1.6	32
	25	1.5	37
	30	1.4	43
	35	1.4	48
	40	1.3	53
	50	1.2	62

