

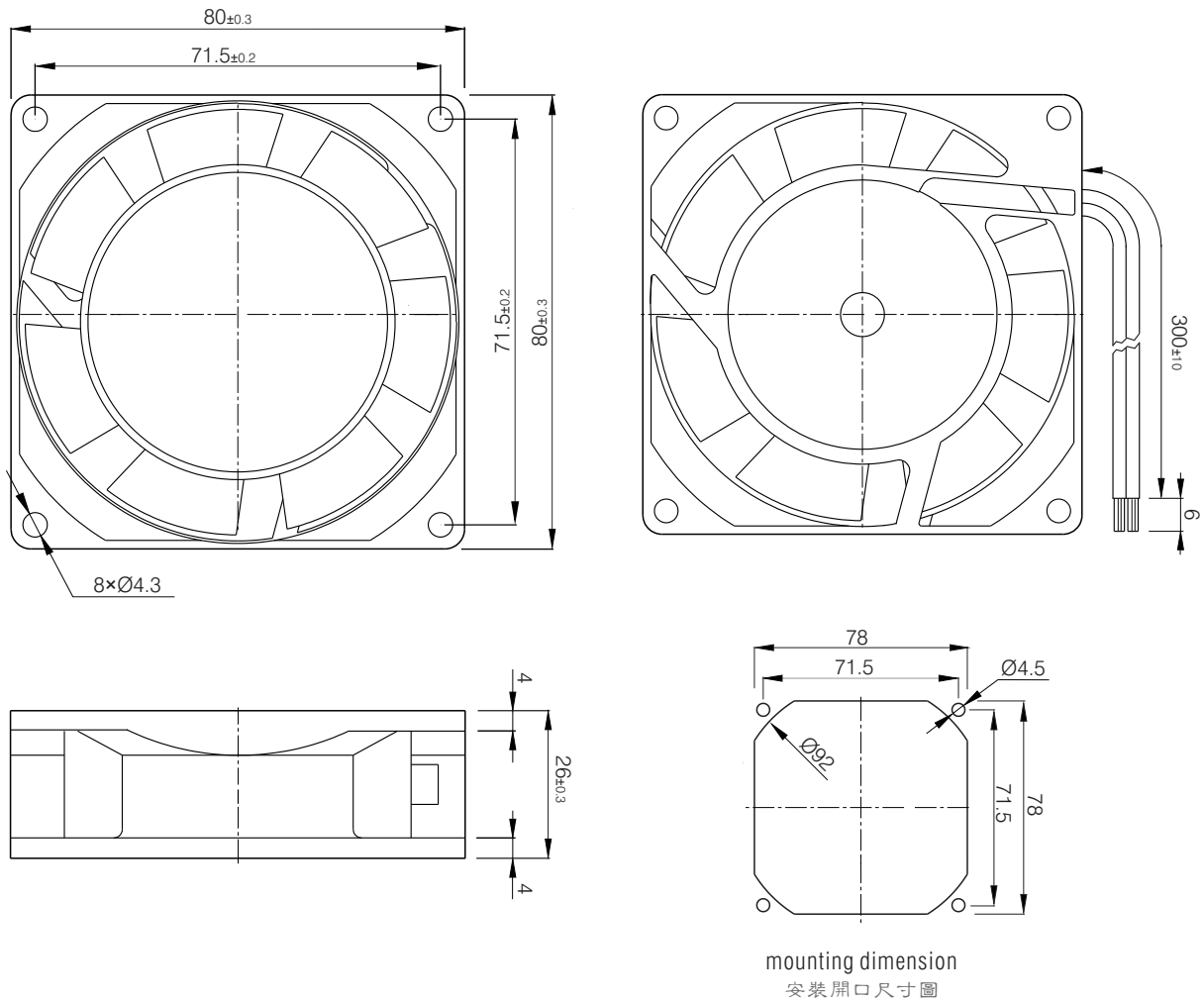
# Shaded Pole Motor Fan 80mm

罩極電機風扇



- 1 Frame**  
Aluminium alloy die-casting, surfaces is finished by black anti-corrosion treatment.
- 2 Impeller**  
Black plastic PBT UL94V-0
- 3 Operation Temperature/Humidity Range:  
(under unconcretionary state)**  
-30°C ~ +60°C (temperature), 0% ~ 95% (himidity)
- 4 Protection**  
Impedance Protected
- 5 Withstand Voltage**  
AC 1,500V, 1 min at 0.5mA, 50/60 Hz
- 6 Insulation System**  
Design according to IEC61858 Grade B,
- 7 Protection Grade** IP34

- 1 機 架:**  
合金鋁壓鑄成型，表面黑色抗腐蝕處理
- 2 風 葉:**  
黑色塑料 PBT UL94V-0.
- 3 運行溫/濕度範圍：（非凝結狀態）**  
溫度 -30°C ~ +60°C 濕度 0% ~ 95%
- 4 保 護:**  
阻抗保護
- 5 絕緣耐壓:**  
AC 1500V 0.5mA 50/60Hz下耐受1分鐘
- 6 絕緣系統:**  
按 IEC61858 B級設計
- 7 電機防護等級:**  
IP 34

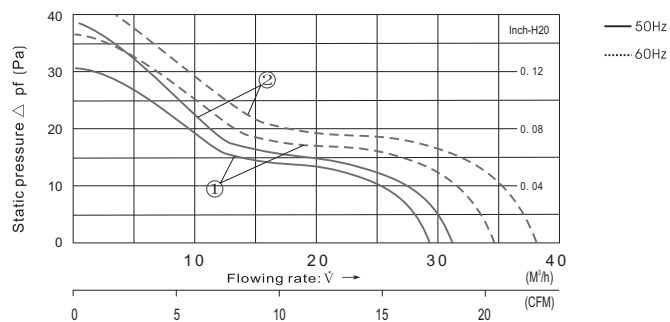


Outline Dimensions (Units:mm)

mounting dimension  
安裝開口尺寸圖

- Ⓐ Rotation direction of blades : CCW seen from the front impellers
- Ⓑ Power Connection: UL3385-22 Lead wire
- Ⓒ Unit weight: 225g

- Ⓐ 風扇旋向: 從扇葉方向看為逆時針
- Ⓑ 電源連接: UL3385-22 引線連接
- Ⓒ 單機重量: 225g



## Parameters

| Type<br>產品型號 | Motor<br>電機 | Rated Voltage<br>額定電壓<br>V | Frequency<br>周波數<br>Hz | current<br>電流<br>(A) | Power<br>功率<br>(W)<br>+10%<br>-20% | Speed<br>回轉速度<br>(min <sup>-1</sup> ) | Max Air Flow<br>最大風量<br>CFM    m <sup>3</sup> /h | Static Pressure<br>最大靜壓<br>(Pa) | Noise<br>噪音<br>(dB) | Curve<br>曲線 | Capacitor<br>電容<br>(μF) |
|--------------|-------------|----------------------------|------------------------|----------------------|------------------------------------|---------------------------------------|--|---------------------------------|---------------------|-------------|-------------------------|
| FJ8021AS     | M2S5601-SB  | 115                        | 50                     | 0.12                 | 10                                 | 2300                                  | 17    29   | 33                              | 29                  | ①           | -----                   |
|              |             |                            | 60                     | 0.10                 | 9                                  | 2700                                  | 21    35   | 37                              | 33                  |             |                         |
| FJ8021AB     | M2S5601-BB  | 115                        | 50                     | 0.13                 | 13                                 | 2400                                  | 18    31   | 42                              | 30                  | ②           | -----                   |
|              |             |                            | 60                     | 0.15                 | 15                                 | 2900                                  | 22    38   | 45                              | 34                  |             |                         |
| FJ8022AS     | M2E5601-SB  | 230                        | 50                     | 0.07                 | 13                                 | 2300                                  | 17    29   | 33                              | 29                  | ①           | -----                   |
|              |             |                            | 60                     | 0.06                 | 11                                 | 2700                                  | 21    35   | 37                              | 33                  |             |                         |
| FJ8022AB     | M2E5601-BB  | 230                        | 50                     | 0.07                 | 13                                 | 2400                                  | 18    31   | 42                              | 30                  | ②           | -----                   |
|              |             |                            | 60                     | 0.06                 | 11                                 | 2900                                  | 22    38   | 45                              | 34                  |             |                         |