



for

LED

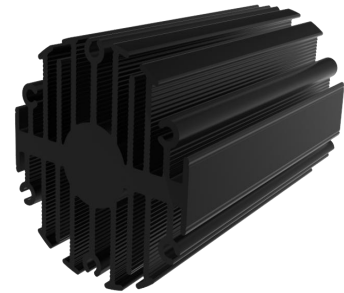


eLED

eLED-ADU-4680 Adura Modular Passive Star LED Heat Sink Φ 46mm

Features VS Benefits

- * The eLED-ADU-4680 Adura Modular Passive Star LED Heat Sinks are specifically designed for luminaires using the Adura LED engines.
- * Mechanical compatibility with direct mounting of the LED engines to the LED cooler and thermal performance matching the lumen packages.
- * For spotlight and downlight designs from 600 to 1600 lumen.
- * Thermal resistance range R_{th} 3.8°C/W.
- * Modular design with mounting holes foreseen for direct mounting of Adura LOB series engines.
- * Diameter 46.5mm - standard height 80mm Other heights on request.
- * Extruded from highly conductive aluminum.

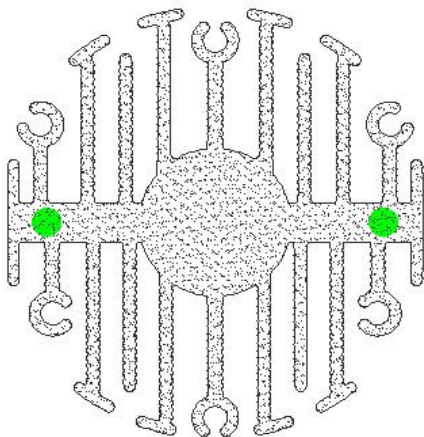
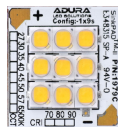


Zhaga LED engine and radiator assembly is a unified future international standardization

- * Below you find an overview of Adura LED modules which standard fit on the Star LED Heat Sinks.
- * In this way mechanical after work and related costs can be avoided, and lighting designers can standardize their designs on a limited number of Star LED Heat Sinks.



ADURA
LED SOLUTIONS



Adura LED Modules directly Mounting Options

LOB 1979C-A LED engines.

LOB-150026D-0093535-277-1x9C;
LOB-150026D-0093535-307-1x9C;
LOB-150026D-0093535-357-1x9C;
LOB-150026D-0093535-407-1x9C;
LOB-150026D-0093535-457-1x9C;
LOB-150026D-0093535-507-1x9C;
LOB-150026D-0093535-577-1x9C;
LOB-150026D-0093535-657-1x9C;
LOB-150026D-0093535-278-1x9C;

LOB-150026D-0093535-308-1x9C;
LOB-150026D-0093535-358-1x9C;
LOB-150026D-0093535-408-1x9C;
LOB-150026D-0093535-458-1x9C;
LOB-150026D-0093535-508-1x9C;
LOB-150026D-0093535-279-1x9C;
LOB-150026D-0093535-309-1x9C;
LOB-150026D-0093535-359-1x9C;
LOB-150026D-0093535-409-1x9C;

LOB 1980C-A LED engines.

LOB-45009D-0093535-277-3x3C;
LOB-45009D-0093535-307-3x3C;
LOB-45009D-0093535-357-3x3C;
LOB-45009D-0093535-407-3x3C;
LOB-45009D-0093535-457-3x3C;
LOB-45009D-0093535-507-3x3C;
LOB-45009D-0093535-577-3x3C;
LOB-45009D-0093535-657-3x3C;
LOB-45009D-0093535-278-3x3C;

LOB-45009D-0093535-308-3x3C;
LOB-45009D-0093535-358-3x3C;
LOB-45009D-0093535-408-3x3C;
LOB-45009D-0093535-458-3x3C;
LOB-45009D-0093535-508-3x3C;
LOB-45009D-0093535-279-3x3C;
LOB-45009D-0093535-309-3x3C;
LOB-45009D-0093535-359-3x3C;
LOB-45009D-0093535-409-3x3C;

With Zhaga Book 3 LED holder

BJB holder: 47.313.2131.50;

Ideal Holde: 50-2103CT

Green indicator marks.

Mounting with machine screws M3x6.5mm;

Tel:+86-769-39023131

E-fax:+86-(020)28819702 ext:22122

Email:sales@mingfatech.com

Http://www.heatsinkled.com

Http://www.mingfatech.com



eLED

eLED-ADU-4680 Adura Modular Passive Star LED Heat Sink Φ 46mm

Mounting Options and Drawings & Dimensions

Example:eLED-ADU-4680-B-1

Example:eLED-ADU-4680-1-2-3

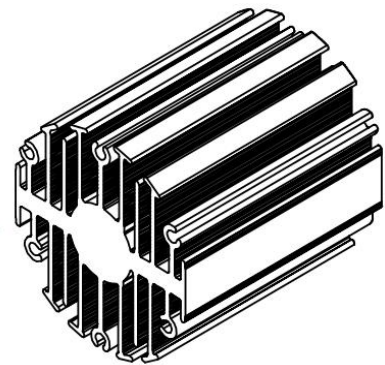
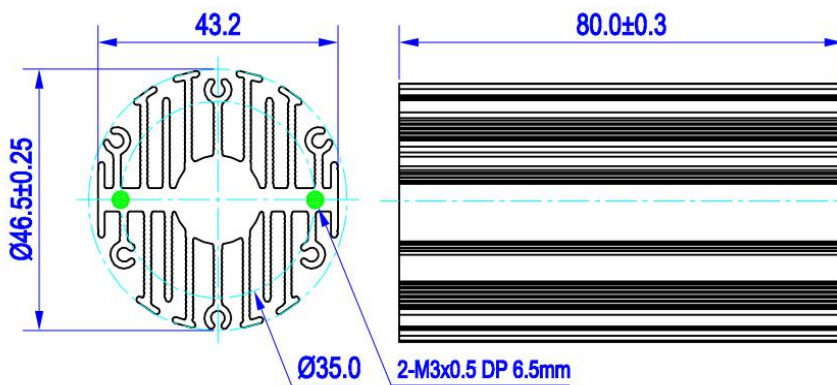
- 1** Height (mm)
- 2** Anodising Color
B-Black
C-Clear
Z-Custom
- 3** Mounting Options - see graphics for details Combinations available
Ex.order code - 12
means option 1 and 2 combined

Notes:

- Mentioned models are an extraction of full product range.
- For specific mechanical adaptations please contact MingfaTech.
- MingfaTech reserves the right to change products or specifications without prior notice.



MOUNTING OPTION	Module type	Holder NO.	THREAD	THREAD DEPTH	THREAD HOLE DISTANCE
1	1979C-A; 1980C-A;	Ideal Holde 50-2103CT BJB 47.313.2131.50	M3	6.5mm	35.0mm/ 2-@180°



for

LED

eLED

eLED-ADU-4680 Adura Modular Passive Star LED Heat Sink Φ 46mm

The thermal data table

	 <i>eLED-4680</i>
Model No.	eLED-ADU-4680
Size	Φ 46.5xH80mm
Material	AL6063-T5
Finish	Black Anodized
Weight(gr)	161.5
Thermal Wattage	13.0W
Heatsink Θ_{s-a}^2	65150
Heat Sink T_{rise} Above Ambient	3.8

Dissipated Power P_d (W)	$P_d = P_e \times (1-\eta_L)$	Heat sink to ambient thermal resistance R_{hs-amb} ($^{\circ}C/W$)	Heat sink to ambient temperature rise T_{hs-amb} ($^{\circ}C$)
		eLED-ADU-4680	
3		4.67	14
6		4.67	28
9		4.33	39
12		4.00	48
15		3.73	56

