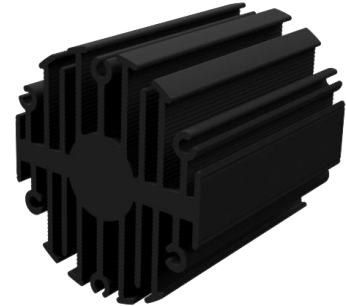


eLED

eLED-LUS-4650 Lustrous Modular Passive Star LED Heat Sink ϕ 45mm

Features VS Benefits

- * The eLED-LUS-4650 Lustrous Modular Passive Star LED Heat Sinks are specifically designed for luminaires using the Lustrous LED engines.
- * Mechanical compatibility with direct mounting of the LED engines to the LED cooler and thermal performance matching the lumen packages.
- * For spotlight and downlight designs from 450 to 1200 lumen.
- * Thermal resistance range R_{th} 5.0°C/W.
- * Modular design with mounting holes foreseen for direct mounting of Lustrous M series Coral series, LUSTRON series, LUSTRON 5 series, LUSTRON 6 series LED engines.
- * Diameter 46.5mm - standard height 50mm Other heights on request.
- * Extruded from highly conductive aluminum.

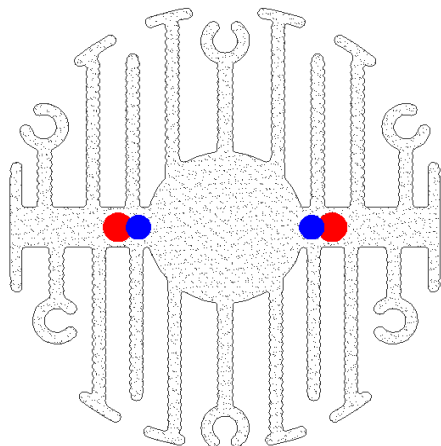


Zhaga LED engine and radiator assembly is a unified future international standardization

- * Below you find an overview of Lustrous COB's and LED modules which standard fit on the eLED Star LED Heat Sinks.
- * In this way mechanical after work and related costs can be avoided, and lighting designers can standardize their designs on a limited number of Star LED Heat Sinks.

LUSTROUS

Green Technology of Lighting



Lustrous LED engines Mounting Options

Lustrous Series Modules names:

L112xxxxxx ;
L104xxxxxx ;
L106xxxxxx ;

Lustrous V5 Series Modules names:

L505xxxxxx ;

Lustrous 6 Series Modules names:

LL608D1202-xxx ;
LL604F1202-xxx ;

Lustrous M Series Modules names:

M105xxxxxx ;
M107xxxxxx ;
M109xxxxxx ;

For the blue indicator marks.

Direct mounting with machine screws M2.5x6mm;

Coral Series Modules names:

C108xxxxxx ;

For the red indicator marks.

Direct mounting with machine screws M3x6mm;

eLED

eLED-LUS-4650 Lustrous Modular Passive Star LED Heat Sink Φ 45mm

Mounting Options and Drawings & Dimensions

LUSTROUS
Green Technology of Lighting

Example:eLED-LUS-4650-B-1

Example:eLED-LUS-46 **1** - **2** - **3**

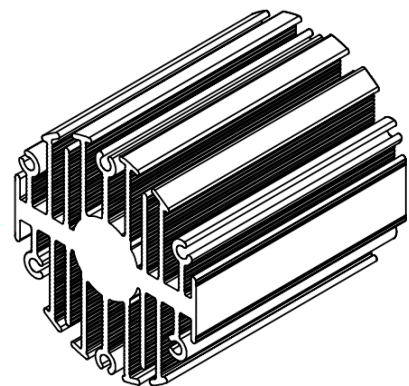
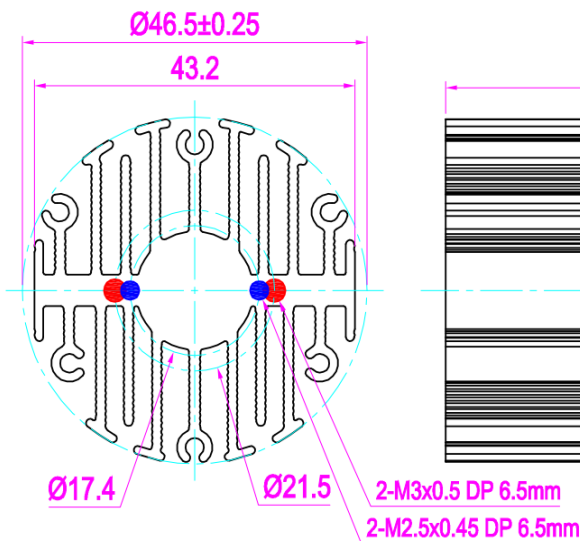
- 1** Height (mm)
- 2** Anodising Color
B-Black
C-Clear
Z-Custom
- 3** Mounting Options - see graphics for details Combinations available
Ex.order code - 12
means option 1 and 2 combined

Notes:

- Mentioned models are an extraction of full product range.
- For specific mechanical adaptations please contact MingfaTech.
- MingfaTech reserves the right to change products or specifications without prior notice.

Note : option 1 and option 2 can not be combined

MOUNTING OPTION	Module type	Holder NO.	THREAD	THREAD DEPTH	THREAD HOLE DISTANCE
1	Lustrous Series Lustrous M Series Lustrous V5 Series Lustrous 6 Series	/	M2.5	5mm	17.4mm/ 2-@180°
2	Coral Series	/	M3	6.5mm	21.5mm/ 2-@180°



Mingfa TECH for LED

eLED

eLED-LUS-4650 Lustrous Modular Passive Star LED Heat Sink Φ 45mm

The thermal data table

	 <i>eLED-4650</i>
Model No.	eLED-LUS-4650
Size	Φ46.5xH50mm
Material	AL6063-T5
Finish	Black Anodized
Weight(g)	101
Thermal Wattage	10.0W
HeatsinkOs-a²	41580
Heat Sink T Rise Above Ambient	5.0

Dissipated Power Pd(W)	Pd = Pe x (1-ηL)	Heat sink to ambient thermal resistance Rhs-amb (°C/W)	Heat sink to ambient temperature rise Ths-amb (°C)
		eLED-LUS-4650	
3		5.67	17
6		5.50	33
9		5.22	47
12		4.83	58
15		4.33	65

