



GooLED

GooLED-SHA-4830 Pin Fin LED Heat Sink Φ 48mm for Sharp

Features VS Benefits

- * The GooLED-SHA-4830 Sharp Pin Fin LED Heat Sinks are specifically designed for luminaires using the Sharp LED engines.
- * Mechanical compatibility with direct mounting of the LED engines to the LED cooler and thermal performance matching the lumen packages.
- * For spotlight and downlight designs from 500 to 1100 lumen.
- * Thermal resistance range Rth 5.6°C/W.
- * Modular design with mounting holes foreseen for direct mounting of SHARP Mini Zenigata LED engines.
- * Diameter 48mm - standard height 30mm Other heights on request.
- * Forged from highly conductive aluminum.



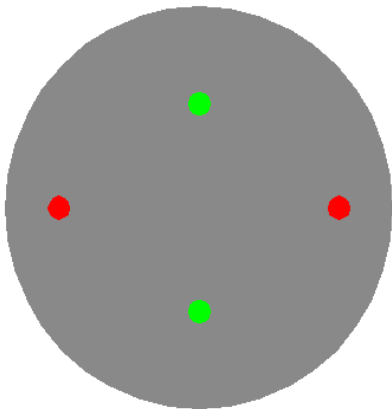
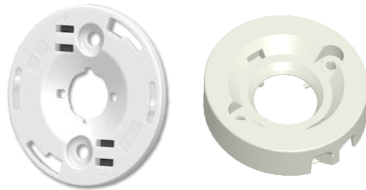
Zhaga LED engine and radiator assembly is a unified future international standardization

- * Below you find an overview of Sharp engines COB's and LED modules which standard fit on the GooLED Pin Fin LED Heat Sinks.
- * In this way mechanical after work and related costs can be avoided, and lighting designers can standardize their designs on a limited number of LED Pin Fin LED Heat Sink.

SHARP

BJB

TE
connectivity



Sharp LED Modules Mounting indicator marks overview

Mini Mega Zenigata Modules names:

- | | |
|--------------|--------------|
| GW6BLC27C0C; | GW6BMG27HED; |
| GW6BLC30C0C; | GW6BMG30HED; |
| GW6BLC40C0C; | GW6BMG40HED; |
| GW6BLC50C0C; | GW6BMG50HED; |
| GW6BLQ27C0C; | GW6BME27HED; |
| GW6BLQ30C0C; | GW6BME30HED; |
| GW6BLQ40C0C; | GW6BME40HED; |
| GW6BLQ50C0C; | GW6BME50HED; |
| GW6BMF27JEC; | GW6BGG27HED; |
| GW6BMF30JEC; | GW6BGG30HED; |
| GW6BMF40JEC; | GW6BGG40HED; |
| GW6BMF50JEC; | GW6BGG50HED; |

Zhaga Book11 Holders:

BJB holder:47.319.6180.50; A.A.G Stucchi holder:8300/G2

Direct mounting with machine screws M3x8mm;

Green indicator marks

Tel:+86-769-33252828 +86-769-33251919

E-fax:+86-(020)28819702 ext:22122

Email:sales@mingfatech.com

Http://www.heatsinkled.com

Http://www.mingfatech.com



Mounting Options and Drawings & Dimensions

Example:GooLED-SHA-4830-B-3

Example:GooLED-SHA-48 **1** - **2** - **3**

1 Height (mm)

2 Anodising Color

B-Black

C-Clear

Z-Custom

3 Mounting Options - see graphics for details Combinations available

Ex.order code - 12

means option 1 and 2 combined

Notes:

- Mentioned models are an extraction of full product range.
- For specific mechanical adaptations please contact MingfaTech.
- MingfaTech reserves the right to change products or specifications without prior notice.

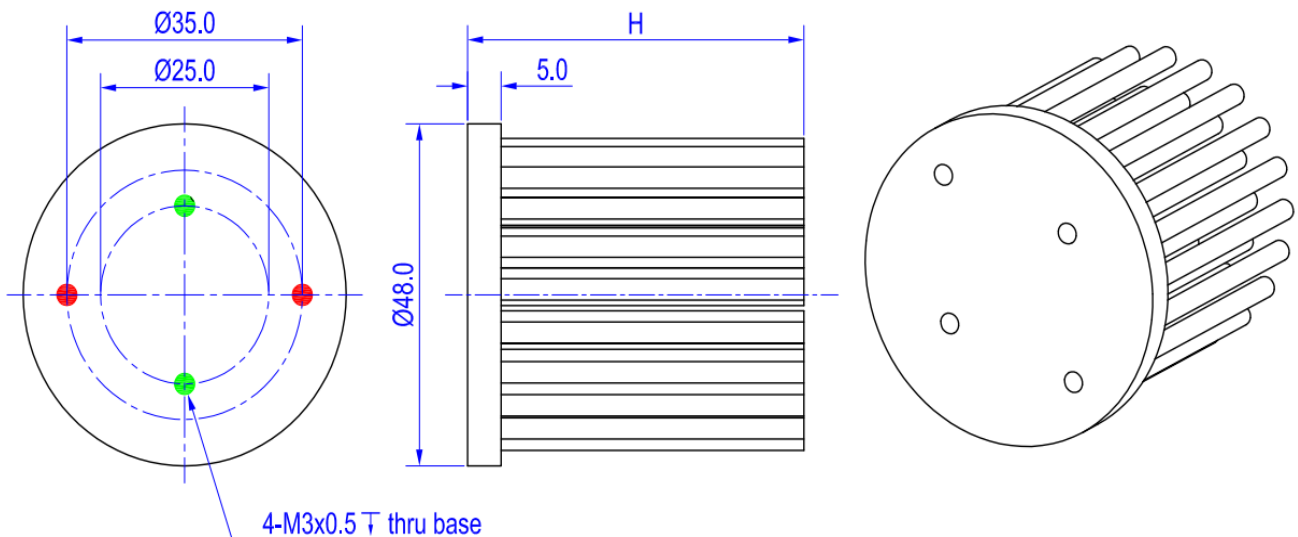
SHARP



STUCCHI
ideas are made of light



MOUNTING OPTION	Module type	Holder NO.	THREAD	THREAD DEPTH	THREAD HOLE DISTANCE
1	Mini ZENIGATA	BJB (47.319.6180.50)	M3	6mm	25.0mm/ @180°
		A.A.G Stucchi (8300/G2)			
2	Mega ZENIGATA	BJB (47.319.2011.50)	M3	6mm	35.0mm/ @180°
		Type (2213130-2)			
		A.A.G Stucchi (8301/G2)			



GooLED

GooLED-SHA-4830 Pin Fin LED Heat Sink Φ 48mm for Sharp

The thermal data table

	 <i>GooLED-4830</i>
Model No.	GooLED-SHA-4830
Size	Φ48xH30mm
Material	AL1070
Finish	Black Anodized
Weight(gr)	46.0
Thermal Wattage	8.8W
HeatsinkΘs-a²	14976
Heat Sink T Rise Above Ambient	5.6

Dissipated Power Pd(W)	Pd = Pe x (1- η L)	Heat sink to ambient thermal resistance Rhs-amb ($^{\circ}$ C/W)	Heat sink to ambient temperature rise Ths-amb ($^{\circ}$ C)
		GooLED-SHA-4830	GooLED-SHA-4830
2.5		6.8	17.0
4.5		6.5	29.0
7.0		5.7	40.0
9.5		5.1	48.0
12.0		4.8	57.0

