

## SimpoleD

### SimpoleD-BRI-16050 for Bridgelux Modular Passive LED Cooler $\Phi$ 160mm

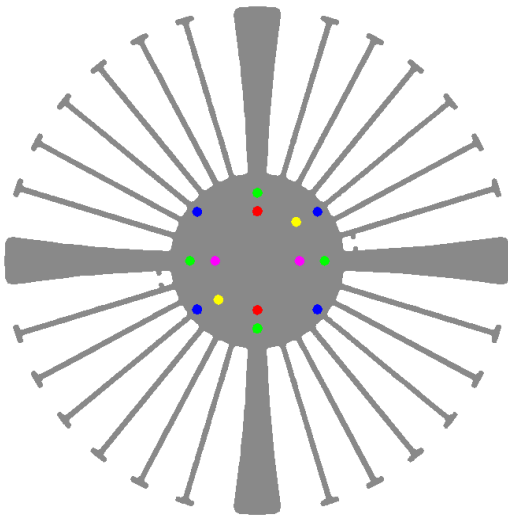
#### Features VS Benefits

- \* The SimpoleD-16050 Bridgelux Modular Passive LED Coolers are specifically designed for luminaires using the Bridgelux LED engines.
- \* Mechanical compatibility with direct mounting of the LED engines to the LED cooler and thermal performance matching the lumen packages.
- \* For spotlight and downlight designs from 2800 to 8800 lumen.
- \* Thermal resistance range Rth 0.68°C/W.
- \* Modular design with mounting holes foreseen for direct mounting of bridgelux Vero 18, Vero 29 and RS Array Series COB engines.
- \* Diameter 160mm - standard height 50mm Other heights on request.
- \* Extruded from highly conductive aluminum.



#### Bridgelux LED engine and radiator assembly directly Mounting Options

- \* Below you find an overview of Bridgelux COB's and LED modules which standard fit on the SimpoleD coolers.
- \* In this way mechanical after work and related costs can be avoided, and lighting designers can standardize their designs on a limited number of LED coolers.



#### Bridgelux LED Modules directly Mounting Options

##### Vero 18 Array Series LED engines

BXRC-27E4000-F-xx ;	BXRC-30E4000-F-xx ;
BXRC-27G4000-F-xx ;	BXRC-30G4000-F-xx ;
BXRC-27H4000-F-xx ;	BXRC-30H4000-F-xx ;
BXRC-35E4000-F-xx ;	BXRC-50E4000-F-xx ;
BXRC-40E4000-F-xx ;	

Direct mounting with machine screws M3x8mm;  
Red indicator marks.

##### Vero 29 Array Series LED engines

BXRC-27E10K0-L-xx ;	BXRC-35E10K0-L-xx ;
BXRC-27G10K0-L-xx ;	BXRC-40E10K0-L-xx ;
BXRC-30E10K0-L-xx ;	BXRC-50E10K0-L-xx ;
BXRC-30G10K0-L-xx ;	

Direct mounting with machine screws M3x8mm;  
Green indicator marks.

##### RS Array Series LED engines

BXRA-27E7000-J-03	BXRA-35E7000-J-03
BXRA-27G7000-J-03	BXRA-40E7500-J-03
BXRA-30E7000-J-03	BXRA-50C9000-J-xx ;
BXRA-30G7000-J-03	BXRA-56C9000-J-xx ;

Direct mounting with machine screws M3x8mm;  
Blue indicator marks.

*SimpoleD*

SimpoleD-BRI-16050 for Bridgelux Modular Passive LED Cooler  $\Phi$ 160mm

**Mounting Options and Drawings & Dimensions**

Example: SimpoleD-BRI-16050-B-2

Example: SimpoleD-BRI-160 **1** - **2** - **3**

**1** Height (mm)

**2** Anodising Color

B-Black

C-Clear

Z-Custom

**3** Mounting Options - see graphics for details Combinations available

Ex.order code - 12

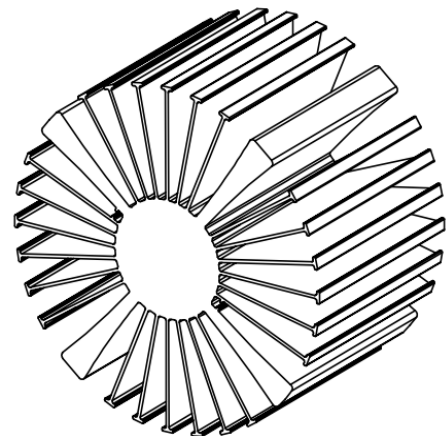
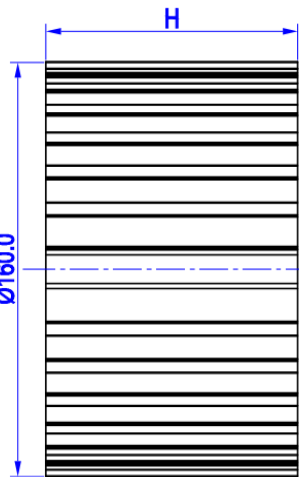
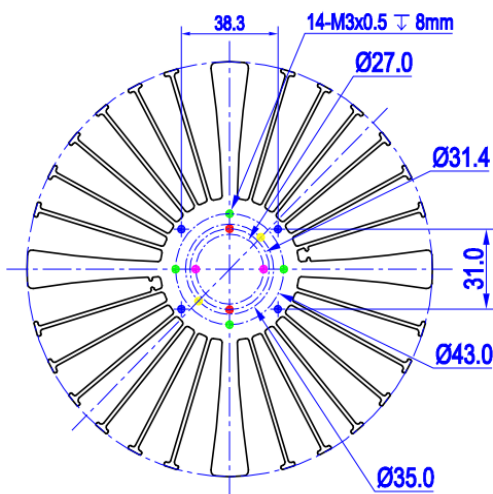
means option 1 and 2 combined



Notes:

- Mentioned models are an extraction of full product range.
- For specific mechanical adaptations please contact MingfaTech.
- MingfaTech reserves the right to change products or specifications without prior notice.

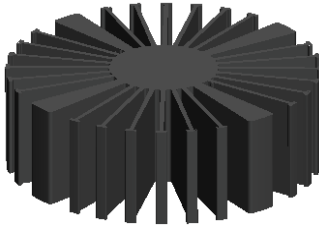
MOUNTING OPTION	Module type	Holder NO.	THREAD	THREAD DEPTH	THREAD HOLE DISTANCE
1	ES-Rectangle	/	M3	8mm	27.0mm/ 2-@180°
2	Vero-18	/			31.4mm/ 2-@180°
3	ES-Rectangle	BJB 47.313.2040.50			35.0mm/ 2-@180°
4	Vero-29	/			43.0mm/ 4-@90°
5	RS-Array	/			(31.0mmx38.3mm)x2



*SimpoleD*

*SimpoleD-BRI-16050 for Bridgelux Modular Passive LED Cooler Φ160mm*

The thermal data table

	 <i>SimpoleD-16050</i>
<b>Model No.</b>	<b>SimpoleD-BRI-16050</b>
<b>Size</b>	<b>D160xH50mm</b>
<b>Material</b>	<b>AL6063-T5</b>
<b>Finish</b>	<b>Black Anodized</b>
<b>Weight(g)</b>	<b>1052.0</b>
<b>Thermal Wattage</b>	<b>71.3W</b>
<b>HeatsinkΘs-a<sup>2</sup></b>	<b>179161</b>
<b>Heat Sink T Rise Above Ambient</b>	<b>0.68</b>

Dissipated Power Pd(W)	Pd = Pe x (1-ηL)	Heat sink to ambient thermal resistance Rhs-amb (°C/W)	Heat sink to ambient temperature rise Ths-amb (°C)
		SimpoleD-BRI-16050	SimpoleD-BRI-16050
15		0.92	13.8
30		0.83	24.9
45		0.78	35.1
60		0.70	42.0
75		0.65	48.8
90		0.60	54.0
100		0.55	55.0

