



for

LED

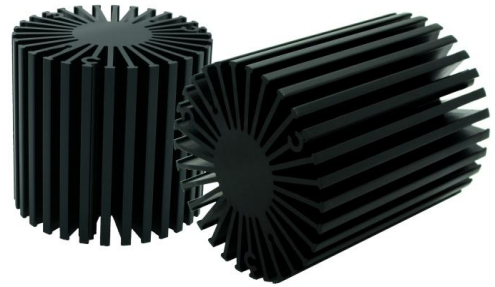


*SimpoleLED*

**SimpoleLED-CIT-5870 for Citizen Modular Passive LED Cooler  $\Phi$ 58mm**

**Features VS Benefits**

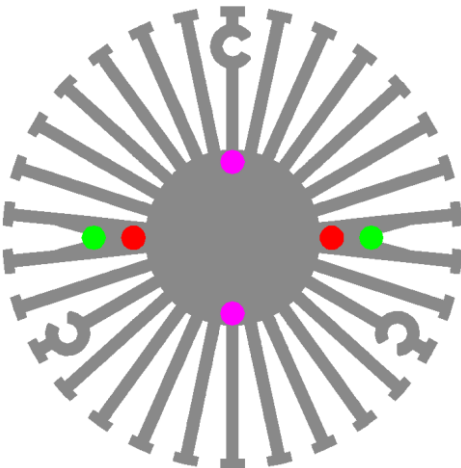
- \* The SimpoleLED-5870 Citizen Modular Passive LED Coolers are specifically designed for luminaires using the Citizen LED engines.
- \* Mechanical compatibility with direct mounting of the LED engines to the LED cooler and thermal performance matching the lumen packages.
- \* For spotlight and downlight designs from 600 to 2000 lumen.
- \* Thermal resistance range Rth 2.9°C/W.
- \* Modular design with mounting holes foreseen for direct mounting of Citizen Citizen CLL012/CLL020/022/CU024 and CLL030 COB engines. COB engines.
- \* Diameter 58mm - standard height 70mm Other heights on request.
- \* Extruded from highly conductive aluminum.



**Zhaga LED engine and radiator assembly is a unified future international standardization**

- \* Below you find an overview of Citizen COB's and LED modules which standard fit on the SimpoleLED coolers.
- \* In this way mechanical after work and related costs can be avoided, and lighting designers can standardize their designs on a limited number of LED coolers.

**CITIZEN**  
Micro HumanTech



**Citizen CLL020-022 and CLU 024 LED COB's for which Zhaga LED Modules holders are available Mounting Options**

**Citizen CLL020-022 LED Modules:**

CLL020-1202A5-50xxxx;	CLL020-1203A5-50xxxx;
CLL020-1202A5-40xxxx;	CLL020-1203A5-40xxxx;
CLL020-1202A5-35xxxx;	CLL020-1203A5-35xxxx;
CLL020-1202A5-30xxxx;	CLL020-1203A5-30xxxx;
CLL020-1202A5-27xxxx;	CLL020-1203A5-27xxxx;
CLL022-1202A5-50xxxx;	CLL022-1203A5-50xxxx;
CLL022-1202A5-40xxxx;	CLL022-1203A5-40xxxx;
CLL022-1202A5-35xxxx;	CLL022-1203A5-35xxxx;
CLL022-1202A5-30xxxx;	CLL022-1203A5-30xxxx;
CLL022-1202A5-27xxxx;	CLL022-1203A5-27xxxx;

**Citizen CLU024 LED Modules:**

CLU024-1201B8-50XXXXX;	CLU024-1203B8-50XXXXX;
CLU024-1201B8-40XXXXX;	CLU024-1203B8-40XXXXX;
CLU024-1201B8-35XXXXX;	CLU024-1203B8-35XXXXX;
CLU024-1201B8-30XXXXX;	CLU024-1203B8-30XXXXX;
CLU024-1201B8-27XXXXX;	CLU024-1203B8-27XXXXX;
CLU024-1202B8-50XXXXX;	CLU024-1204B8-50XXXXX;
CLU024-1202B8-40XXXXX;	CLU024-1204B8-40XXXXX;
CLU024-1202B8-35XXXXX;	CLU024-1204B8-35XXXXX;
CLU024-1202B8-30XXXXX;	CLU024-1204B8-30XXXXX;
CLU024-1202B8-27XXXXX;	CLU024-1204B8-27XXXXX;

Direct mounting with machine screws M3x6mm;  
Red indicator marks.  
With Zhaga Book11 holders

Zhaga Book 11 LED holder  
BJB Spotlight connector 47.319.6060.50  
TE Connectivity 1pc LED holder 6-2154874-1  
TE Connectivity Scalable 2pc LED holder 2-2154857-1  
Mounting with 2 screws M3 x 8mm  
Pink indicator marks





for

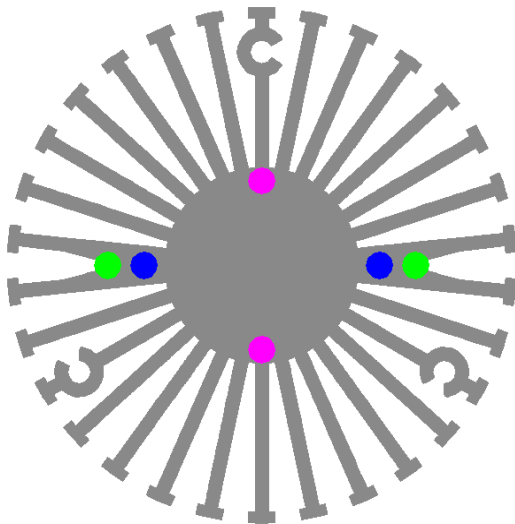
LED



*SimpoleD*

**SimpoleD-CIT-5870 for Citizen Modular Passive LED Cooler  $\Phi$ 58mm**

**CITIZEN**  
Micro HumanTech



Citizen CLL030~032 and CLU034 LED COB's for which Zhaga LED Modules holders are available Mounting Options

**Citizen CLL030~CLL032 LED Modules:**

CLL030-1205A5-50XXXX;  
CLL030-1205A5-40XXXX;  
CLL030-1205A5-35XXXX;  
CLL030-1205A5-30XXXX;  
CLL030-1205A5-27XXXX;

CLL030-1206A5-50XXXX;  
CLL030-1206A5-40XXXX;  
CLL030-1206A5-35XXXX;  
CLL030-1206A5-30XXXX;  
CLL030-1206A5-27XXXX;

CLL032-1205A5-50XXXX;  
CLL032-1205A5-40XXXX;  
CLL032-1205A5-35XXXX;  
CLL032-1205A5-30XXXX;  
CLL032-1205A5-27XXXX;

CLL032-1206A5-50XXXX;  
CLL032-1206A5-40XXXX;  
CLL032-1206A5-35XXXX;  
CLL032-1206A5-30XXXX;  
CLL032-1206A5-27XXXX;

**Citizen CLU034 LED Modules:**

CLU034-xxxx

Direct mounting with machine screws M3x6mm;  
Blue indicator marks.  
With Zhaga Book11 holders

Zhaga Book 3 LED holder  
BJB Spotlight connector 47.319.2020.50  
TE Connectivity Lumawise type Z50 2213254-1  
TE Connectivity Lumawise type Z50 2213254-2  
Mounting with 2 screws M3 x 8mm  
Green indicator marks



for

LED



*SimpoleD*

**SimpoleD-CIT-5870 for Citizen Modular Passive LED Cooler  $\Phi$ 58mm**

**Mounting Options and Drawings & Dimensions**

Example: SimpoleD-CIT-5870-B-3

Example: SimpoleD-CIT-58 **1** - **2** - **3**

- 1** Height (mm)
- 2** Anodising Color
  - B-Black
  - C-Clear
  - Z-Custom
- 3** Mounting Options - see graphics for details Combinations available  
Ex.order code - 12  
means option 1 and 2 combined

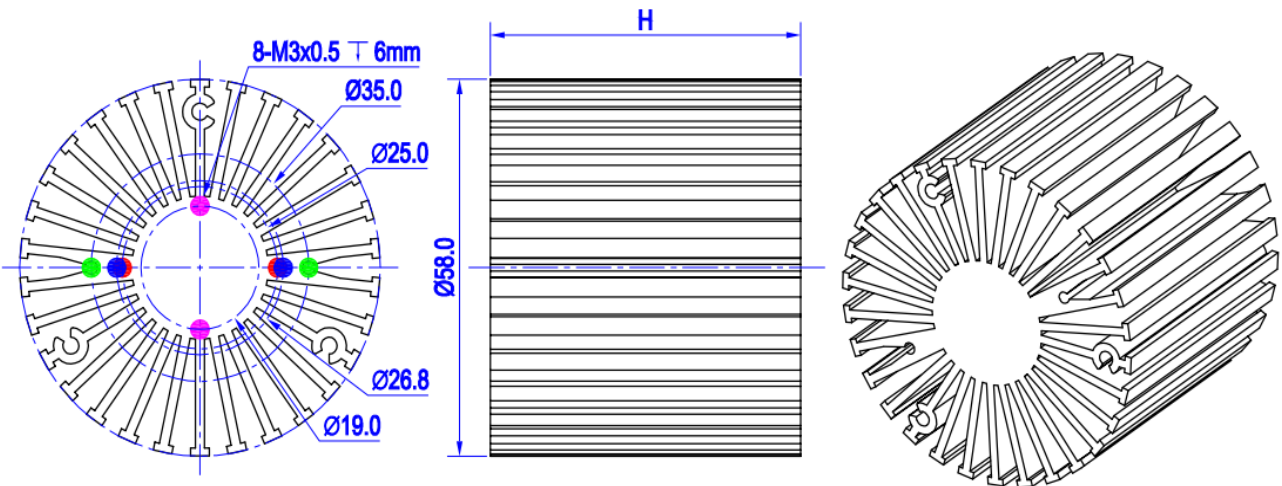
**Notes:**

- Mentioned models are an extraction of full product range.
- For specific mechanical adaptations please contact MingfaTech.
- MingfaTech reserves the right to change products or specifications without prior notice.



Note ! : option 2 and option 3 can't not be combined

MOUNTING OPTION	Module type	Holder NO.	THREAD	THREAD DEPTH	THREAD HOLE DISTANCE
1	CLL020-022 CLU024	/	M3	6mm	19mm/ 2-@180°
2	CLL020-022 CLU024	BJB:47.319.6060.50 Zhaga Book11	M3	6mm	25mm/ 2-@180° Zhaga Book11
3	CLL030-032 CLU034	/	M3	6mm	26.8mm/ 2-@180°
4	CLL030-032 CLU034	BJB:47.319.2020.50 Zhaga Book3	M3	6mm	35mm/ 2-@180° Zhaga Book3



Tel:+86-769-39023131  
E-fax:+86-(020)28819702 ext:22122  
Email:sales@mingfatech.com  
Http://www.heatsinkled.com  
Http://www.mingfatech.com







for

LED



*SimpoleD*

**SimpoleD-CIT-5870 for Citizen Modular Passive LED Cooler  $\Phi$ 58mm**

The thermal data table

	 <i>SimpoleD-5870</i>
<b>Model No.</b>	<b>SimpoleD-CIT-5870</b>
<b>Size</b>	<b><math>\Phi</math>58xH70mm</b>
<b>Material</b>	<b>AL6063-T5</b>
<b>Finish</b>	<b>Black Anodized</b>
<b>Weight(g)</b>	<b>244.0</b>
<b>Thermal Wattage</b>	<b>15.5W</b>
<b>Heatsink<math>\Theta</math>s-a<sup>2</sup></b>	<b>90020</b>
<b>Heat Sink T<sub>Rise</sub> Above Ambient</b>	<b>2.9</b>

	Pd = Pe x (1- $\eta$ L)	Heat sink to ambient thermal resistance Rhs-amb (°C/W)	Heat sink to ambient temperature rise Ths-amb (°C)
		SimpoleD-CIT-5870	SimpoleD-CIT-5870
Dissipated Power Pd(W)	4	4.00	16.0
	8	3.50	28.0
	12	3.12	37.5
	16	2.90	46.5
	20	2.76	55.3

