



for

LED

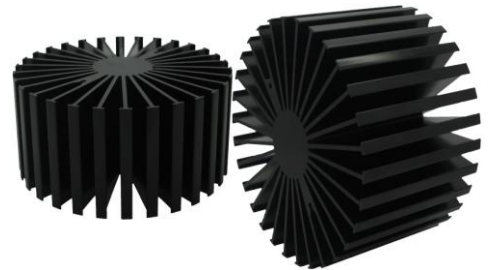


SimploLED

SimploLED-CRE-11780 for Cree Modular Passive LED Cooler Φ 117mm

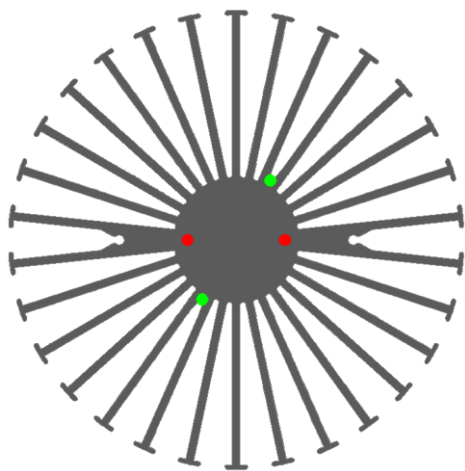
Features VS Benefits

- * The SimploLED-CRE11780 Cree Modular Passive LED Coolers are specifically designed for luminaires using the Cree LED engines.
- * Mechanical compatibility with direct mounting of the LED engines to the LED cooler and thermal performance matching the lumen packages.
- * For spotlight and downlight designs from 1700 to 7000 lumen.
- * Thermal resistance range R_{th} 0.8°C/W.
- * Modular design with mounting holes foreseen for direct mounting of Cree Lxamp CXA1310, CXA1507,1512,1520, CXA1816,1820,1830,1850, CXA2520,2530 LED ArrayCOB engines
- * Diameter 117mm - standard height 80mm Other heights on request.
- * Extruded from highly conductive aluminum.



Zhaga LED engine and radiator assembly is a unified future international standardization

- * Below you find an overview of Cree COB's which standard fit on the SimploLED coolers.
- * In this way mechanical after work and related costs can be avoided, and lighting designers can standardize their designs on a limited number of LED coolers.



Zhaga Book3 Spot Light LED engines
LED COB's for which Zhaga book3 LED Modules holders are available
 Cree LED Modules and Ideal, BJB holders:
 Cree Lxamp CXA1830 LED Modules: (Ideal Holder:50-2001CR)
 Maximum drive current optional: 1400mA;

Cree Lxamp CXA1850 LED Modules: (Ideal Holder:50-2101CR), (BJB Holder:47.319.2131.50)
 Maximum drive current optional: 1700mA;

Cree Lxamp CXA2530 LED Modules: (Ideal Holder:50-2102CR), (BJB Holder:47.319.2141.50)
 Maximum drive current optional: 1600mA;

Cree Lxamp CXA2540 LED Modules: (Ideal Holder:50-2102CR), (BJB Holder:47.319.2141.50)
 Maximum drive current optional: 1500mA;

Please refer to the data files on www.idealindustries.com, which is the detail of Ideal holders application guide

Zhaga Book3 Green indicator marks:
Direct mounting with machine screws M3x6mm;
Green indicator marks.

Please refer to the www.cree.com data provided on the manual.



SimpoleD

SimpoleD-CRE-11780 for Cree Modular Passive LED Cooler $\Phi 117\text{mm}$

Mounting Options and Drawings & Dimensions

Example: SimpoleD-CRE-11780-B-1,2

Example: SimpoleD-CRE-117 **1** - **2** - **3**

1 Height (mm)

2 Anodising Color

B-Black

C-Clear

Z-Custom

3 Mounting Options - see graphics for details Combinations available

Ex.order code - 12

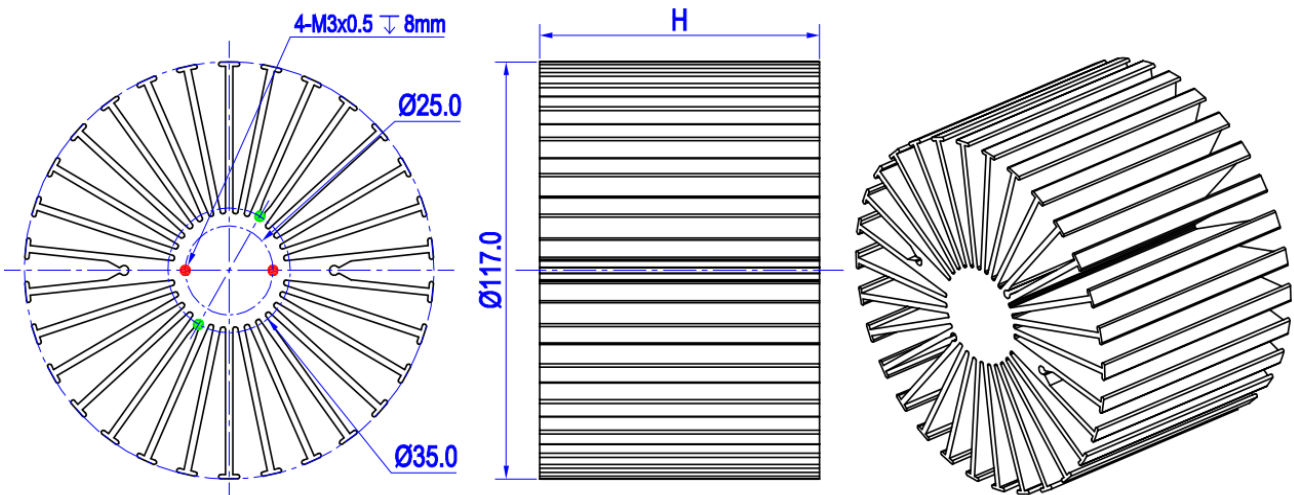
means option 1 and 2 combined

Notes:

- Mentioned models are an extraction of full product range.
- For specific mechanical adaptations please contact MingfaTech.
- MingfaTech reserves the right to change products or specifications without prior notice.



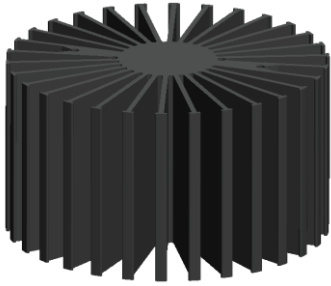
MOUNTING OPTION	Module type	Holder NO.	THREAD	THREAD DEPTH	THREAD HOLE DISTANCE
1	CXA-13xx	BJB: 47.319.6120.50 IDEAL:50-2000CR	M3	6mm	25mm/ 2-@180° Zhaga Book11
2	CXA-15xx ;	BJB: 47.319.6101.50 IDEAL:50-2001CR	M3	6mm	35mm/ 2-@180° Zhaga Book3
	CXA18XX ;	BJB:47.319.2130.50 IDEAL:50-2101CR			
	CXA1830 ;	BJB:50-2001CR			
	CXA25xx ;	BJB:47.319.2140.50 IDEAL:50-2102CR			
	CXA30xx ;	BJB:47.319.2150.50 IDEAL:50-2234C			
	CXA35xx ;	IDEAL:50-2303CR			



SimpLED

SimpLED-CRE-11780 for Cree Modular Passive LED Cooler $\Phi 117\text{mm}$

The thermal data table

	 <i>SimpLED-11780</i>
Model No.	SimpLED-CRE-11780
Size	$\Phi 117 \times H 80\text{mm}$
Material	6063-T5
Finish	Black Anodized
Weight(gr)	774
Thermal Wattage	60.7W
Heatsink Θ_{s-a^2}	231490
Heat Sink T Rise Above Ambient	0.8

Dissipated Power Pd(W)	Pd = Pe x (1- η L)	Heat sink to ambient thermal resistance Rhs-amb ($^{\circ}\text{C}/\text{W}$)	Heat sink to ambient temperature rise Ths-amb ($^{\circ}\text{C}$)
		SimpLED--CRE11780	SimpLED--CRE11780
15		1.01	15.2
30		0.88	26.4
45		0.80	36.1
60		0.75	45.2
75		0.71	53.8
90		0.68	62.0

