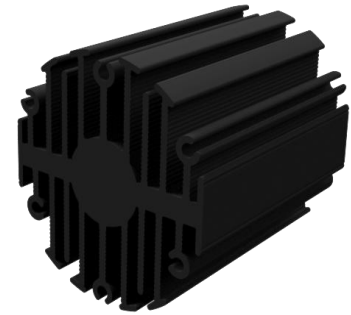


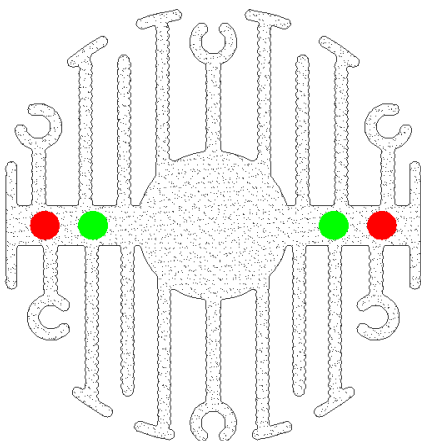
## Features VS Benefits

- \* The eLED-CRE-4650 Cree Modular Passive Star LED Heat Sinks are specifically designed for luminaires using the Cree LED engines.
- \* Mechanical compatibility with direct mounting of the LED engines to the LED cooler and thermal performance matching the lumen packages.
- \* For spotlight and downlight designs from 450 to 1200 lumen.
- \* Thermal resistance range Rth 5.0°C/W.
- \* Modular design with mounting holes foreseen for direct mounting of Cree Lxamp CXA13xx and CXA15xx LED engines.
- \* Diameter 46.5mm - standard height 50mm Other heights on request.
- \* Extruded from highly conductive aluminum.



## Zhaga LED engine and radiator assembly is a unified future international standardization

- \* Below you find an overview of Cree COB's and LED modules which standard fit on the eLED Star LED Heat Sinks.
- \* In this way mechanical after work and related costs can be avoided, and lighting designers can standardize their designs on a limited number of LED Star LED Heat Sinks.



Cree LED engines for which Zhaga book 3 LED Modules holders are available.

For the Cree Lxamp CXA1507 LED engines and Ideal holders (Ideal Holder:50-2001CR);

CXA1507xxxxx;

For the Cree Lxamp CXA1512 LED engines and Ideal holders (Ideal Holder:50-2001CR);

CXA1512xxxxx;

Direct mounting with machine screws M3x8mm;  
With Zhaga Book 3 LED holder for red indicator marks.

Please refer to the [www.cree.com](http://www.cree.com) data provided on the manual.

Cree LED engines for which Zhaga book 11 LED Modules holders are available.

For the Cree Lxamp CXA1310 LED engines and Ideal holders (BJB holder:47.319.6120.50);

CXA1310xxxxx;

For the Cree Lxamp CXA1507 LED engines and Ideal holders (AAG.STUCCHI holder:8400-G2);

CXA1507xxxxx;

For the Cree Lxamp CXA1512 LED engines and Ideal holders (AAG.STUCCHI holder:8400-G2);

CXA1512xxxxx;

Direct mounting with machine screws M3x8mm;  
With Zhaga Book 11 LED holder for green indicator marks.

Please refer to the [www.cree.com](http://www.cree.com) data provided on the manual.



eLED

eLED-CRE-4650 Cree Modular Passive Star LED Heat Sink  $\Phi$ 46mm

### Mounting Options and Drawings & Dimensions

Example:eLED-CRE-4650-B-1

Example:eLED-CRE-4650-1-2-3

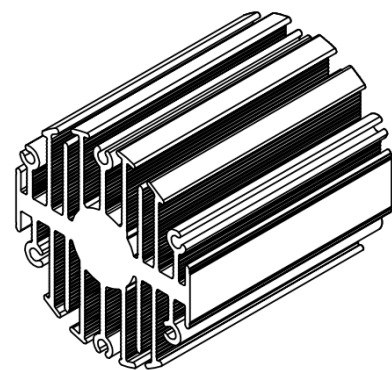
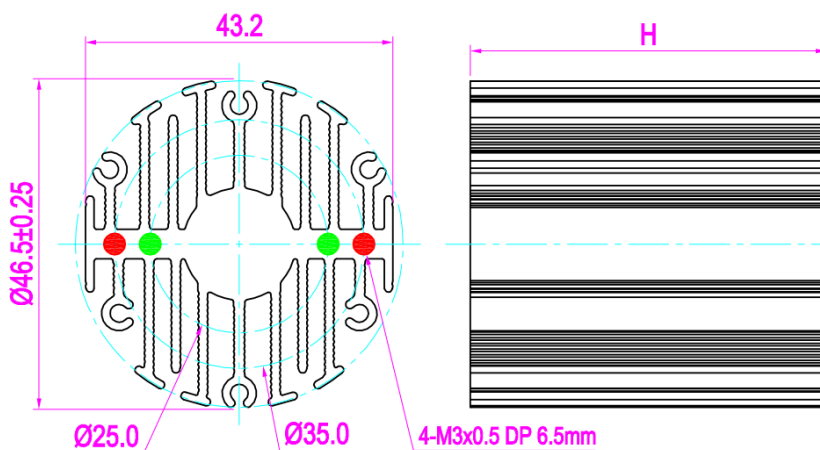
- 1** Height (mm)
- 2** Anodising Color  
B-Black  
C-Clear  
Z-Custom
- 3** Mounting Options - see graphics for details Combinations available  
Ex.order code - 12  
means option 1 and 2 combined

**Notes:**

- Mentioned models are an extraction of full product range.
- For specific mechanical adaptations please contact MingfaTech.
- MingfaTech reserves the right to change products or specifications without prior notice.



MOUNTING OPTION	Module type	Holder NO.	THREAD	THREAD DEPTH	THREAD HOLE DISTANCE
1	CXA1507 CXA1512	AAG.STUCCHI 8400-G2	M3	6.5mm	25.0mm/ 2-@180°
	CXA1310	BJB 47.313.6120.50			
2	CXA1507 CXA1512	Ideal Holde 50-2001CR	M3	6.5mm	35.0mm/ 2-@180°



*eLED*

eLED-CRE-4650 Cree Modular Passive Star LED Heat Sink  $\Phi$ 46mm

The thermal data table

	 <i>eLED-4650</i>
<b>Model No.</b>	eLED-CRE-4650
<b>Size</b>	$\Phi$ 46.5xH50mm
<b>Material</b>	AL6030-T5
<b>Finish</b>	Black Anodized
<b>Weight(g)</b>	101
<b>Thermal Wattage</b>	10.0W
<b>HeatsinkOs-a<sup>2</sup></b>	41280
<b>Heat Sink T<sub>Rise</sub> Above Ambient</b>	5

Dissipated Power Pd(W)	Pd = Pe x (1-ηL)	Heat sink to ambient thermal resistance Rhs-amb (°C/W)	Heat sink toambienttemperature riseThs-amb (°C)
		eLED-CRE-4650	
3		5.67	17
6		5.50	33
9		5.22	47
12		4.83	58
15		4.33	65

