

*SimpLED*

**SimpLED-LUME-160150 for Lumens Modular Passive LED Cooler  $\Phi$ 160mm**

**Features VS Benefits**

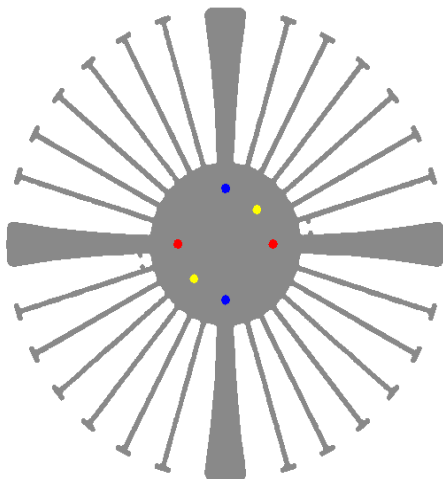
- \* The SimpLED-LUME-160150 Lumens Modular Passive LED Coolers are specifically designed for luminaires using the Lumens LED engines.
- \* Mechanical compatibility with direct mounting of the LED engines to the LED cooler and thermal performance matching the lumen packages.
- \* For spotlight and downlight designs from 4500 to 14000 lumen.
- \* Thermal resistance range Rth 0.4°C/W.
- \* Modular design with mounting holes foreseen for direct mounting of Lumens ERC2530, ERC2540, ERC3050 and ERC3070 LED engines.
- \* Diameter 160mm - standard height 150mm Other heights on request.
- \* Extruded from highly conductive aluminum.



**Lumens LED engine and radiator assembly directly Mounting Options**

- \* Below you find an overview of Lumens COB's and LED modules which standard fit on the SimpLED coolers.
- \* In this way mechanical after work and related costs can be avoided, and lighting designers can standardize their designs on a limited number of LED coolers.

**LUMENS**



**Lumens LED engines for which Zhaga LED Modules holders are available.**

**For the ERC2530/2540 LED engines.**

- |                |                |
|----------------|----------------|
| ERC2530S8xxHE; | ERC2540S8xxHE; |
| ERC2530S9xxHE; | ERC2540S9xxHE; |

- Mounting with machine screws M3x8mm;  
 NO.1: With Zhaga Book 3 LED holder for red indicator marks.  
 (Ideal Holder: 50-2102CR);  
 (BJB Holder: 47.319.2141.50);  
 (AAG.STUCCHI holder: 8401-G2);  
 NO.2: Without the LED holder for yellow indicator marks.

**For the ERC3050 LED engines.**

- ERC3050S8xxHE;
- ERC3050S9xxHE;

**For the ERC3070 LED engines.**

- ERC3070S8xxHE;
- ERC3070S9xxHE;

- Mounting with machine screws M3x8mm;  
 NO.1: With Zhaga Book 3 LED holder for red indicator marks.  
 (Ideal Holder: 50-2234C);  
 (BJB holder: 47.319.2151.50);  
 NO.2: Without the LED holder for blue indicator marks.

Please refer to the [www.lumensleds.com](http://www.lumensleds.com) data provided on the manual.

*SimpLED*

SimpLED-LUME-160150 for Lumens Modular Passive LED Cooler  $\Phi$ 160mm

**Mounting Options and Drawings & Dimensions**

Example: SimpLED-LUME-160150-B-3

Example: SimpLED-LUME-160 **1** - **2** - **3**

**1** Height (mm)

**2** Anodising Color  
 B-Black  
 C-Clear  
 Z-Custom

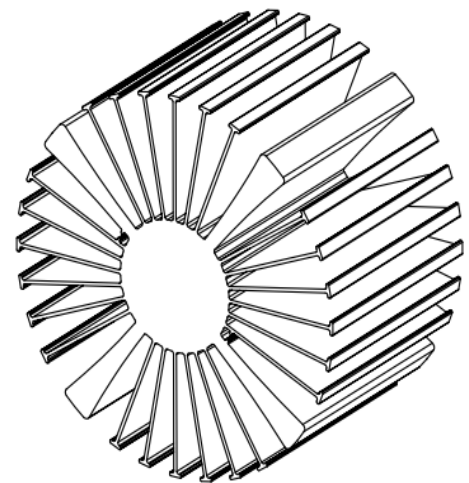
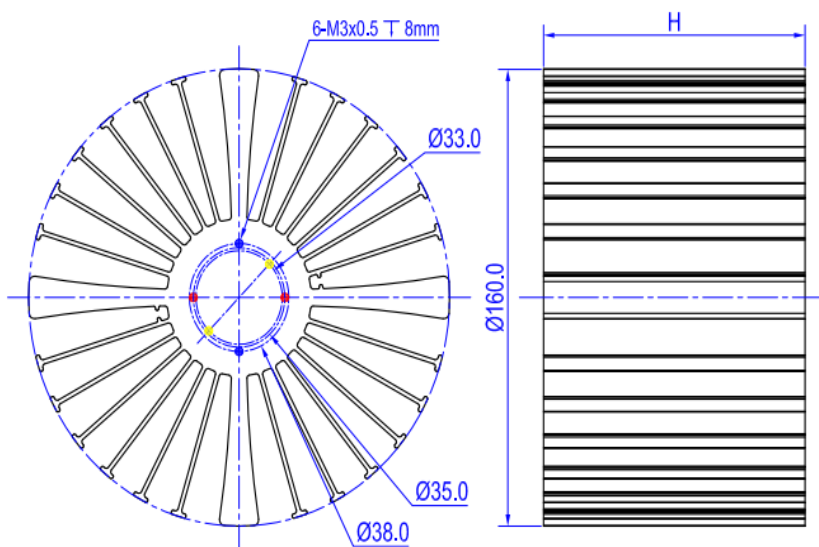
**3** Mounting Options - see graphics for details  
 Combinations available  
 Ex.order code - 12  
 means option 1 and 2 combined

**Notes:**

- Mentioned models are an extraction of full product range.
- For specific mechanical adaptations please contact MingfaTech.
- MingfaTech reserves the right to change products or specifications without prior notice.

MOUNTING OPTION	Module type	Holder NO.	THREAD	THREAD DEPTH	THREAD HOLE DISTANCE
1	ERC2530 ERC2540	/	M3	8mm	33.0mm/ 2-@1150°
2	ERC2530 ERC2540	Ideal 50-2102CR	M3	8mm	35.0mm/ 2-@1150°
		BJB 47.313.2141.50			
	AAG, 8401-G2				
	Ideal 50-2234C				
ERC3050 ERC3070	BJB 47.313.2131.50				
	/	M3	8mm	38.0mm/ 2-@1150°	

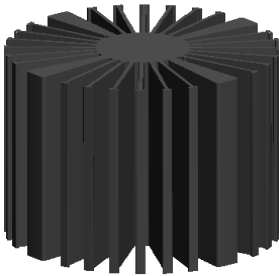
**LUMENS**



*SimpoleD*

SimpoleD-LUME-160150 for Lumens Modular Passive LED Cooler  $\Phi$ 160mm

The thermal data table

	 <i>SimpoleD-160150</i>
<b>Model No.</b>	<b>SimpoleD-LUME-160150</b>
<b>Size</b>	<b>D160xH150mm</b>
<b>Material</b>	<b>AL6063-T5</b>
<b>Finish</b>	<b>Black Anodized</b>
<b>Weight(g)</b>	<b>3155.0</b>
<b>Thermal Wattage</b>	<b>120.0W</b>
<b>Heatsink<math>\Theta</math>s-a<sup>2</sup></b>	<b>506323</b>
<b>Heat Sink T Rise Above Ambient</b>	<b>0.4</b>

Dissipated Power Pd(W)	Pd = Pe x (1- $\eta$ L)	Heat sink to ambient thermal resistance Rhs-amb ( $^{\circ}$ C/W)	Heat sink to ambient temperature rise Ths-amb ( $^{\circ}$ C)
		SimpoleD-LUME-160150	SimpoleD-LUME-160150
25.0		0.56	14.0
45.0		0.49	22.0
60.0		0.47	28.0
75.0		0.44	33.0
90.0		0.43	38.5
100.0		0.42	42.0
115.0		0.41	47.0

