



for

LED



*GooLED*

**GooLED-SHA-4868 Pin Fin LED Heat Sink  $\Phi$ 48mm for Sharp**

**Features VS Benefits**

- \* The GooLED-SHA-4868 Sharp Pin Fin LED Heat Sink are specifically designed for luminaires using the Sharp LED engines.
- \* Mechanical compatibility with direct mounting of the LED engines to the LED cooler and thermal performance matching the lumen packages.
- \* For spotlight and downlight designs from 800 to 1700 lumen.
- \* Thermal resistance range  $R_{th}$  3.7°C/W.
- \* Modular design with mounting holes foreseen for direct mounting of SHARP Mini Zenigata LED engines.
- \* Diameter 48mm - standard height 68mm Other heights on request.
- \* Forged from highly conductive aluminum.



**Zhaga LED engine and radiator assembly is a unified future international standardization**

- \* Below you find an overview of Sharp engines COB's and LED modules which standard fit on the GooLED Pin Fin LED Heat Sinks.
- \* In this way mechanical after work and related costs can be avoided, and lighting designers can standardize their designs on a limited number of LED Pin Fin LED Heat Sink.

**SHARP**



**Sharp LED Modules Mounting indicator marks overview**

**Mini Mega Zenigata Modules names:**

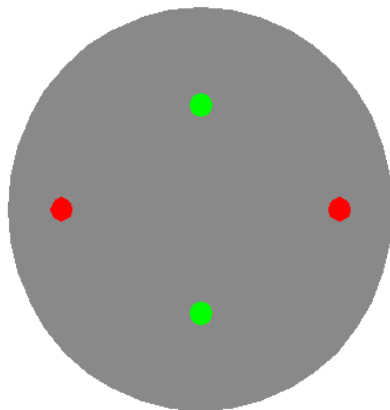
- |              |              |
|--------------|--------------|
| GW6BLC27C0C; | GW6BMG27HED; |
| GW6BLC30C0C; | GW6BMG30HED; |
| GW6BLC40C0C; | GW6BMG40HED; |
| GW6BLC50C0C; | GW6BMG50HED; |
| GW6BLQ27C0C; | GW6BME27HED; |
| GW6BLQ30C0C; | GW6BME30HED; |
| GW6BLQ40C0C; | GW6BME40HED; |
| GW6BLQ50C0C; | GW6BME50HED; |
| GW6BMF27JEC; | GW6BG27HED;  |
| GW6BMF30JEC; | GW6BG30HED;  |
| GW6BMF40JEC; | GW6BG40HED;  |
| GW6BMF50JEC; | GW6BG50HED;  |

**Zhaga Book11 Holders:**

**BJB holder:47.319.6180.50; A.A.G Stucchi holder:8300/G2**

**Mounting with machine screws M3x8mm;**

**Green indicator marks**



Tel:+86-769-33252828 +86-769-33251919

E-fax:+86-(020)28819702 ext:22122

Email:sales@mingfatech.com

Http://www.heatsinkled.com

Http://www.mingfatech.com



GooLED

GooLED-SHA-4868 Pin Fin LED Heat Sink  $\Phi$ 48mm for Sharp

Mounting Options and Drawings & Dimensions

Example:GooLED-SHA-4868-B-3

Example:GooLED-SHA-48 **1** - **2** - **3**

**1** Height (mm)

**2** Anodising Color

B-Black

C-Clear

Z-Custom

**3** Mounting Options - see graphics for details Combinations available

Ex.order code - 12

means option 1 and 2 combined

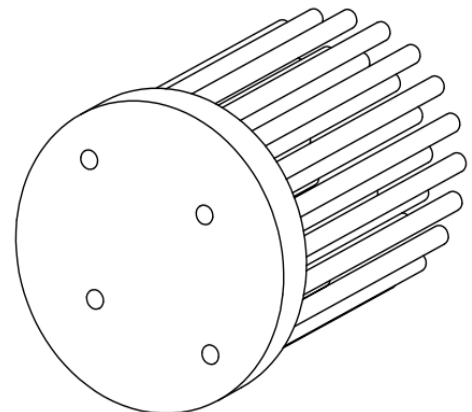
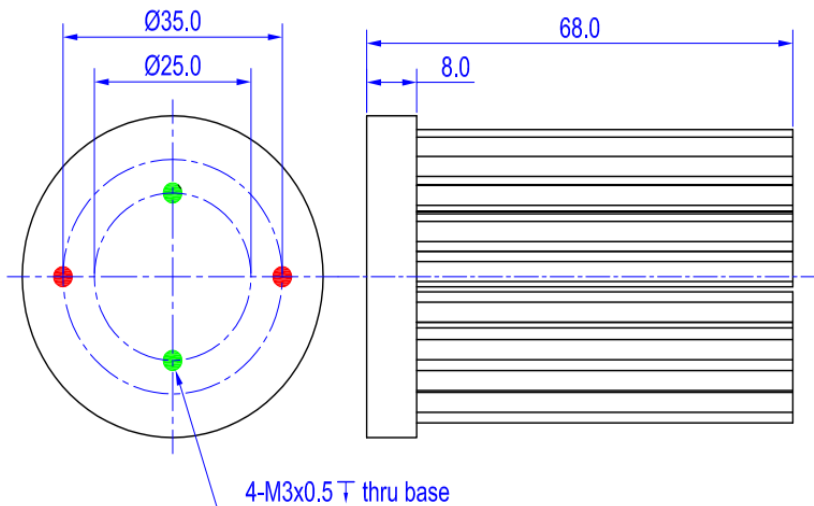
Notes:

- Mentioned models are an extraction of full product range.
- For specific mechanical adaptations please contact MingfaTech.
- MingfaTech reserves the right to change products or specifications without prior notice.

SHARP



MOUNTING OPTION	Module type	Holder NO.	THREAD	THREAD DEPTH	THREAD HOLE DISTANCE
1	Mini ZENIGATA	BJB (47.319.6180.50)	M3	6mm	25.0mm/ @180°
		A.A.G Stucchi (8300/G2)			
2	Mega ZENIGATA	BJB (47.319.2011.50)	M3	6mm	35.0mm/ @180°
		Type (2213130-2)			
		A.A.G Stucchi (8301/G2)			



*GooLED*

**GooLED-SHA-4868 Pin Fin LED Heat Sink  $\Phi$ 48mm for Sharp**

The thermal data table

	
	<i>GooLED-4868</i>
<b>Model No.</b>	<b>GooLED-SHA-4868</b>
<b>Size</b>	<b><math>\Phi</math>48xH68mm</b>
<b>Material</b>	<b>AL1070</b>
<b>Finish</b>	<b>Black Anodized</b>
<b>Weight(gr)</b>	<b>91.0</b>
<b>Thermal Wattage</b>	<b>13.5W</b>
<b>Heatsink <math>\Theta</math>s-a<sup>2</sup></b>	<b>30273</b>
<b>Heat Sink T<sub>Rise Above Ambient</sub></b>	<b>3.7</b>

Dissipated Power Pd(W)	Pd = Pe x (1- $\eta$ L)	
	Heat sink to ambient thermal resistance Rhs-amb (°C/W)	Heat sink to ambient temperature rise Ths-amb (°C)
	GooLED-SHA-4868	GooLED-SHA-4868
1.2	5.8	7.0
3.0	4.7	14.0
9.0	3.9	35.0
12.0	3.7	44.0
15.0	3.3	51.0
18.0	3.2	57.0

