

**GooLED**

**GooLED-SAM-11050 Pin Fin LED Heat Sink  $\Phi$ 110mm for Samsung**

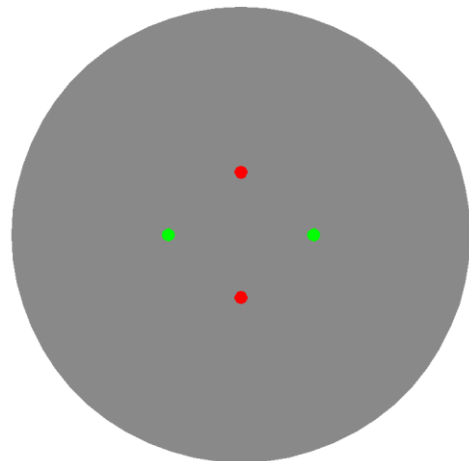
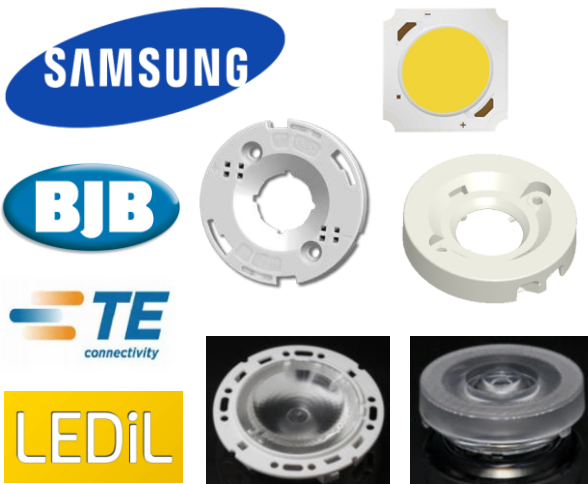
**Features VS Benefits**

- \* The GooLED-SAM-11050 Samsung Pin Fin LED Heat Sinks are specifically designed for luminaires using the Samsung LED engines.
- \* Mechanical compatibility with direct mounting of the LED engines to the LED cooler and thermal performance matching the lumen packages.
- \* For spotlight and downlight designs from 2,000 to 5,500 lumen.
- \* Thermal resistance range  $R_{th}$  1.47°C/W.
- \* Modular design with mounting holes foreseen for direct mounting of Samsung LED engines.
- \* Diameter 110.0mm - standard height 50.0mm, Other heights on request.
- \* Forged from highly conductive aluminum.



**Zhaga LED engine and radiator assembly is a unified future international standardization**

- \* Below you find an overview of Samsung COB's and LED modules which standard fit on the Pin Fin LED Heat Sinks.
- \* In this way mechanical after work and related costs can be avoided, and lighting designers can standardize their designs on a limited number of LED Pin Fin LED Heat Sink.



**Samsung LED Modules directly Mounting Options**

**Samsung B Series LED modules name:**

- L026B;
- L033B;
- L040B;

With the Zhaga Book 3 holders for the green indicator marks.  
 BJB Holder: 47.319.2254.50;  
 TE LED Holder: 2213258-1;  
 Without the holders for the red indicator marks.  
 Direct mounting with machine screws M3x6.5mm.

**Samsung D Series LED modules name:**

- LC016D;
- LC019D;
- LC026D;

With the Zhaga Book 3 holders for the green indicator marks.  
 BJB Holder: 47.319.2021.50;  
 TE LED Holder: 2213254-1;  
 Direct mounting with machine screws M3x6.5mm.

**With the LEDiL products:**

- Ronda series: FN15xxx;
- Olivia series: FN14828-M; FN14637-S;

**Samsung D Series LED modules name:**

- LC040D;
- LC060D;

With the Zhaga Book 3 holders for the green indicator marks.  
 BJB Holder: 47.319.2030.50;  
 TE LED Holder: 2213480-1;  
 Direct mounting with machine screws M3x6.5mm.

**Samsung C Series LED modules name:**

- LC040C;

With the Zhaga Book 3 holders for the green indicator marks.  
 TE LED Holder: 2213382-1;  
 Direct mounting with machine screws M3x6.5mm.  
 With the LEDiL products:  
 Ronda series: FN15xxx;

Mounting Options and Drawings & Dimensions

Example:GooLED-SAM-11050-B-1,2

Example:GooLED-SAM-110 **1** - **2** - **3**

**1** Height (mm)

**2** Anodising Color

B-Black

C-Clear

Z-Custom

**3** Mounting Options - see graphics for details Combinations available

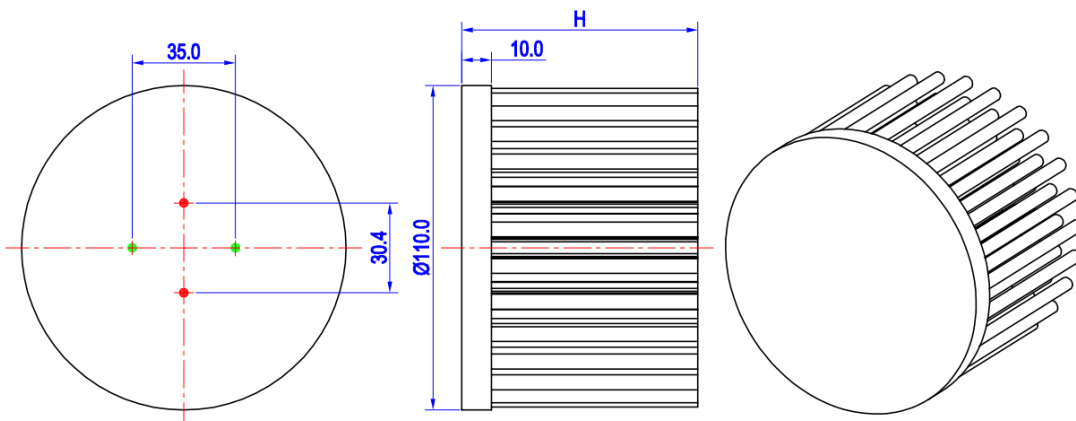
Ex.order code - 12

means option 1 and 2 combined

Notes:

- Mentioned models are an extraction of full product range.
- For specific mechanical adaptations please contact MingfaTech.
- MingfaTech reserves the right to change products or specifications without prior notice.


MOUNTING OPTION	Module type	Holder NO.	LEDiL products		THREAD	THREAD DEPTH	THREAD HOLE DISTANCE
			Olivia series	Ronda series			
N	/	None	None	None	None	None	None
1		/			M3	6.5mm	30.4mm/ 2-@180°
2	L026B; L033B; L040B;	BJB Holder 47.319.2254.50 TE Holder 2213258-1	/		M3	6.5mm	35.0mm/ 2-@180° (Zhaga book 3)
	L016D; L018D; L026D;	BJB Holder 47.319.2021.50 TE Holder 2213254-1	FN14828-M; FN14637-S;	/			
	L040D; L060D;	BJB Holder 47.319.2030.50 TE Holder 2213480-1					
	L040C;	TE Holder 2213382-1	/	FN15xxx;			



## GooLED

### GooLED-SAM-11050 Pin Fin LED Heat Sink $\Phi$ 110mm for Samsung

#### The product data table

	Model No.	GooLED-SAM-11050
	Heatsink Size	$\Phi$ 110xH50mm
	Heatsink Material	AL1070
	Finish	Black Anodized
	Weight (g)	463.0
	Dissipated power (Ths-amb,50°C)	34.0 (W)
	Cooling surface area (mm <sup>2</sup> )	83372
	Thermal Resistance (Rhs-amb)	1.47 (°C/W)

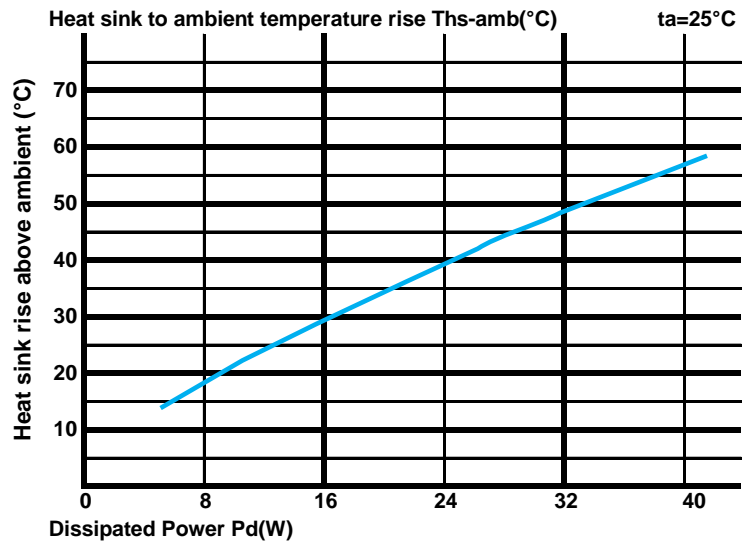
#### The thermal data table

\* Please be aware the dissipated power Pd is not the same as the electrical power Pe of a LED module.

\*To calculate the dissipated power please use the following formula:  $P_d = P_e \times (1 - \eta_L)$ .

Pd - Dissipated power ; Pe - Electrical power ;  $\eta_L$  = Light efficiency of the LED module;

Dissipated Power Pd(W)	Pd = Pe x (1- $\eta_L$ )	Heat sink to ambient thermal resistance Rhs-amb (°C/W)	Heat sink to ambient temperature rise Ths-amb (°C)
		GooLED-SAM-11050	
8.0		2.25	18.0
16.0		1.81	29.0
24.0		1.63	39.0
32.0		1.50	48.0
40.0		1.40	56.0



\*The aluminum substrate side of the package outer shell is thermally connected to the heat sink via TIM (Thermal interface material).

MingFa recommends the use of a high thermal conductive interface between the LED module and the LED cooler.

Either thermal grease, A thermal pad or a phase change thermal pad thickness 0.1-0.15mm is recommended.



\*Thermal resistance is a heat property and a measurement of a temperature difference by which an object or material resists a heat flow.

Geometric shapes are different, the thermal resistance is different. Formula:  $\theta = (Ths - Ta) / Pd$

$\theta$  - Thermal Resistance [°C/W] ; Ths - Heatsink temperature ; Ta - Ambient temperature ;

\*The thermal resistance between the junction section of the light-emitting diode and the aluminum substrate side of the package outer shell is  $R_{junction-case}$ , the thermal resistance of the TIM outside the package is  $R_{interface (TIM)}$  [°C/W], the thermal resistance with the heat sink is  $R_{heatsink-ambient}$  [°C/W], and the ambient temperature is  $T_{ambient}$  [°C].

\*Thermal resistances outside the package  $R_{interface (TIM)}$  and  $R_{heatsink-ambient}$  can be integrated into the thermal resistance  $R_{case-ambient}$  at this point. Thus, the following formula is also used:

$$T_{junction} = (R_{junction-case} + R_{case-ambient}) \cdot Pd + T_{ambient}$$