



for

LED

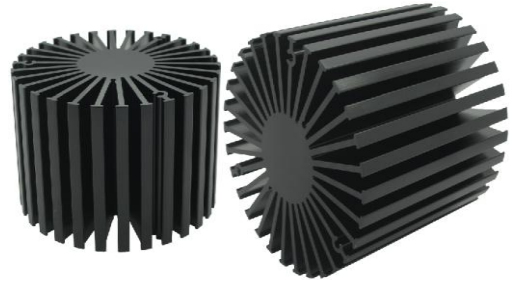


SimploLED

SimploLED-CRE-8150 for Cree Modular Passive LED Cooler Φ 81mm

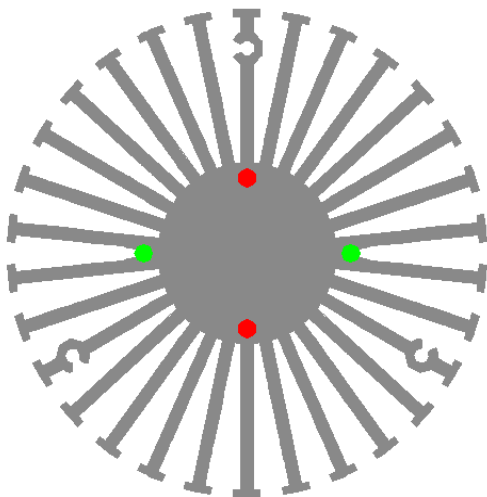
Features VS Benefits

- * The SimploLED-CRE-8150 Cree Modular Passive LED Coolers are specifically designed for luminaires using the Cree LED engines.
- * Mechanical compatibility with direct mounting of the LED engines to the LED cooler and thermal performance matching the lumen packages.
- * For spotlight and downlight designs from 900 to 3100 lumen.
- * Thermal resistance range R_{th} 1.9°C/W.
- * Modular design with mounting holes foreseen for direct mounting of Cree Lxamp CXA15xx, CXA18xx and CXA25xx COB engines.
- * Diameter 81mm - standard height 50mm Other heights on request.
- * Extruded from highly conductive aluminum.



Zhaga LED engine and radiator assembly is a unified future international standardization

- * Below you find an overview of Cree COB's which standard fit on the SimploLED coolers.
- * In this way mechanical after work and related costs can be avoided, and lighting designers can standardize their designs on a limited number of LED coolers.



Zhaga Book3 Spot Light LED engines

LED COB's for which Zhaga book3 LED Modules holders are available

Cree LED Modules and Ideal, BJB holders:

Cree Lxamp CXA1520 LED Modules: (Ideal Holder:50-2001CR)

Maximum drive current optional: 850mA;

Cree Lxamp CXA1816 LED Modules: (Ideal Holder:50-2101CR), (BJB Holder:47.319.2131.50)

Maximum drive current optional: 770mA;

Cree Lxamp CXA1820 LED Modules: (Ideal Holder:50-2101CR), (BJB Holder:47.319.2131.50)

Maximum drive current optional: 800mA;

Cree Lxamp CXA2520 LED Modules: (Ideal Holder:50-2102CR), (BJB Holder:47.319.2140.50)

Maximum drive current optional: 800mA;

Please refer to the data files on www.idealindustries.com, which is the detail of Ideal holders application guide

Zhaga Book3 Green indicator marks:

Direct mounting with machine screws M3x6mm;
Green indicator marks.

Please refer to the www.cree.com data provided on the manual.



SimpoleD

SimpoleD-CRE-8150 for Cree Modular Passive LED Cooler Φ 81mm

Mounting Options and Drawings & Dimensions

Example: SimpoleD-CRE-8150-B-1,2

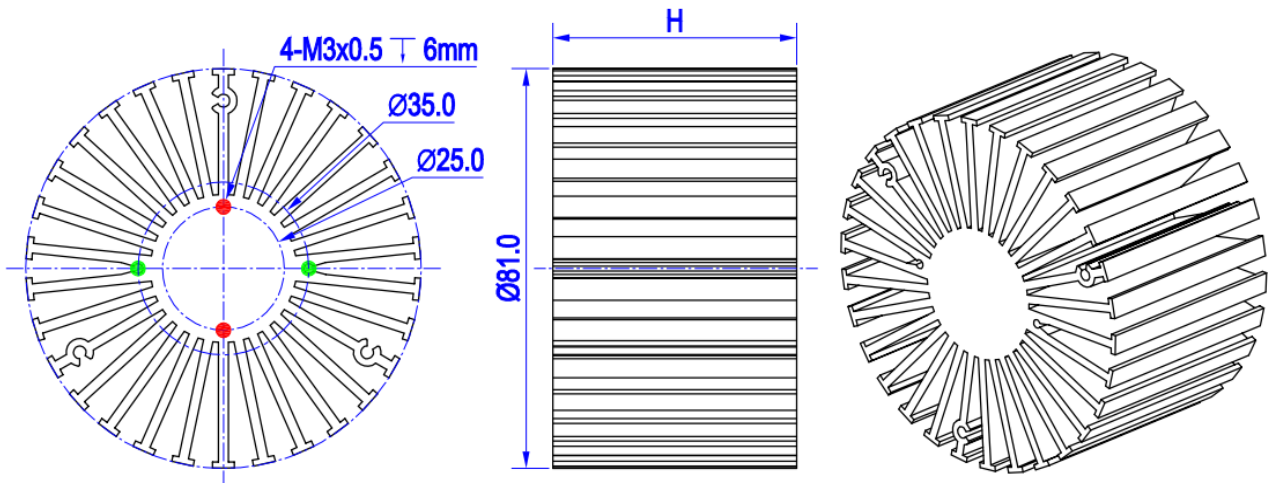
Example: SimpoleD-CRE-81 **1** - **2** - **3**

- 1** Height (mm)
- 2** Anodising Color
B-Black
C-Clear
Z-Custom
- 3** Mounting Options - see graphics for details Combinations available
Ex.order code - 12
means option 1 and 2 combined

Notes:
 - Mentioned models are an extraction of full product range.
 - For specific mechanical adaptations please contact MingfaTech.
 - MingfaTech reserves the right to change products or specifications without prior notice.



MOUNTING OPTION	Module type	Holder NO.	THREAD	THREAD DEPTH	THREAD HOLE DISTANCE
1	CXA-13xx;	BJB: 47.319.6120.50 IDEAL:50-2000CR	M3	6mm	25mm/ 2-@180° Zhaga Book11
2	CXA-15xx ;	BJB: 47.319.6101.50 IDEAL:50-2001CR	M3	6mm	35mm/ 2-@180° Zhaga Book3
	CXA18XX ;	BJB:47.319.2130.50 IDEAL:50-2101CR			
	CXA1830 ;	BJB:50-2001CR			
	CXA25xx ;	BJB:47.319.2140.50 IDEAL:50-2102CR			
	CXA30xx ;	BJB:47.319.2150.50 IDEAL:50-2234C			
	CXA35xx ;	IDEAL:50-2303CR			



Tel: +86-769-39023131
 E-fax: +86-(020)28819702 ext:22122
 Email:sales@mingfatech.com
 Http://www.heatsinkled.com
 Http://www.mingfatech.com



The thermal data table

	 <i>SimpoleD-8150</i>
Model No.	SimpoleD-CRE-8150
Size	$\Phi 81 \times H 50\text{mm}$
Material	AL6063-T5
Finish	Black Anodized
Weight(gr)	318.0
Thermal Wattage	26.5W
HeatsinkOs-a²	94517
Heat Sink T Rise Above Ambient	1.9

Dissipated Power Pd(W)	Pd = Pe x (1- η L)	Heat sink to ambient thermal resistance Rhs-amb ($^{\circ}\text{C}/\text{W}$)	Heat sink to ambient temperature rise Ths-amb ($^{\circ}\text{C}$)
		SimpoleD-CRE-8150	SimpoleD-CRE-8150
6		2.60	15.6
12		2.18	26.2
18		1.97	35.6
24		1.83	44.0
30		1.72	51.8

