



for

LED

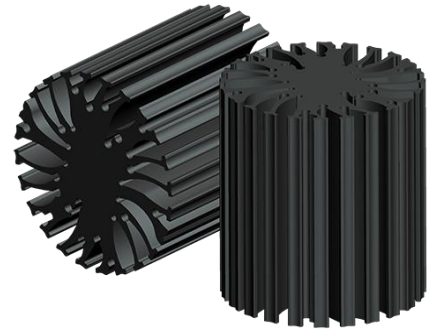


EtraLED

EtraLED-PRO-4880 Prolight Modular Passive Star LED Heat Sink  $\Phi$ 48mm

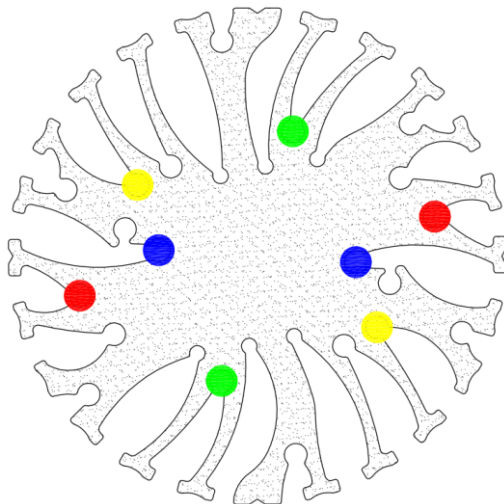
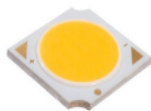
### Features VS Benefits

- \* The EtraLED-PRO-4880 Prolight Modular Passive Star LED Heat Sinks are specifically designed for luminaires using the Prolight LED engines.
- \* Mechanical compatibility with direct mounting of the LED engines to the LED cooler and thermal performance matching the lumen packages.
- \* For spotlight and downlight designs from 600 to 1900 lumen.
- \* Thermal resistance range  $R_{th}$  3.6°C/W.
- \* Modular design with mounting holes foreseen for direct mounting of Prolight COB series LED engines.
- \* Diameter 48mm - standard height 80mm Other heights on request.
- \* Extruded from highly conductive aluminum.



### Zhaga LED engine and radiator assembly is a unified future international standardization

- \* Below you find an overview of Prolight COB's and LED modules which standard fit on the EtraLED Star LED Heat Sinks.
- \* In this way mechanical after work and related costs can be avoided, and lighting designers can standardize their designs on a limited number of Star LED Heat Sinks.



### Prolight LED engines Mounting Options

#### COB CI Series Modules names:

- PACB-5xxx-xxxx ;
- PACB-7xxx-xxxx ;
- PACB-9xxx-xxxx ;

With Zhaga Book 11 for pink indicator marks:  
 BJB Holder:47.319.6060.50;  
 Direct mounting with machine screws M3x6mm;  
 Without LED holders for blue indicator marks.  
 Direct mounting with machine screws M3x6mm;

#### COB BI Series Modules names:

- PABA-15xxx-xxxx ;
- PABA-26xxx-xxxx ;
- PABA-35xxx-xxxx ;

With Zhaga Book 3 for red indicator marks:  
 BJB Holder:47.319.2040.50;  
 Direct mounting with machine screws M3x6mm;  
 Without LED holders for yellow indicator marks.  
 Direct mounting with machine screws M3x6mm;

#### COB BS Series Modules names:

- PABS-6xxx-xxxx ;
- PABS-9xxx-xxxx ;

For the blue indicator marks.  
 Direct mounting with machine screws M3x6mm;



for

LED



EtraLED

EtraLED-PRO-4880 Prolight Modular Passive Star LED Heat Sink  $\Phi$ 48mm

**Mounting Options and Drawings & Dimensions**

Example: EtraLED-PRO-4880-B-3

Example: EtraLED-PRO-48 **1** - **2** - **3**

- 1** Height (mm)
- 2** Anodising Color  
B-Black  
C-Clear  
Z-Custom
- 3** Mounting Options - see graphics for details Combinations available  
Ex.order code - 12  
means option 1 and 2 combined



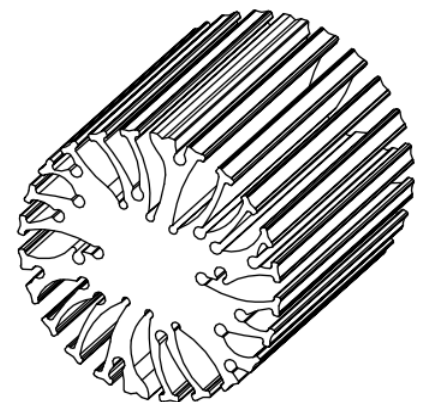
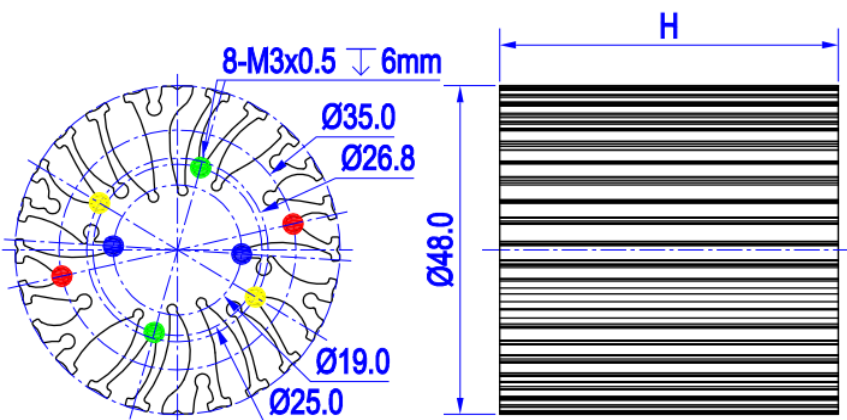
ProLight Opto  
Technology Corporation



**Notes:**

- Mentioned models are an extraction of full product range.
- For specific mechanical adaptations please contact MingfaTech.
- MingfaTech reserves the right to change products or specifications without prior notice.

MOUNTING OPTION	Module type	Holder NO.	THREAD	THREAD DEPTH	THREAD HOLE DISTANCE
1	COB CI Series COB BS Series	/	M3	6mm	19.0mm/ 2-@180°
2	COB CI Series	BJB 47.319.6060.50;	M3	6mm	25.0mm/ 2-@180° Zhaga Book 11
3	COB BI Series	/	M3	6mm	26.8mm/ 2-@180°
4	COB BI Series	BJB 47.319.2040.50	M3	6mm	35.0mm/ 2-@180° Zhaga Book3



for

LED

*EtraLED*

EtraLED-PRO-4880 Prolight Modular Passive Star LED Heat Sink  $\Phi$ 48mm

The thermal data table

	 <i>EtraLED-4880</i>
<b>Model No.</b>	<b>EtraLED-PRO-4880</b>
<b>Size</b>	<b><math>\Phi</math>48xH80mm</b>
<b>Material</b>	<b>AL6063-T5</b>
<b>Finish</b>	<b>Black Anodized</b>
<b>Weight(gr)</b>	<b>213.0</b>
<b>Thermal Wattage</b>	<b>14.0W</b>
<b>HeatsinkOs-a<sup>2</sup></b>	<b>58826</b>
<b>Heat Sink T Rise Above Ambient</b>	<b>3.6</b>

Dissipated Power Pd(W)	Pd = Pe x (1- $\eta$ L)	
	Heat sink to ambient thermal resistance Rhs-amb (°C/W)	Heat sink to ambient temperature rise Ths-amb (°C)
	EtraLED-PRO-4880	EtraLED-PRO-4880
2.5	4.4	11
4.5	4.2	19
7.0	3.7	26
9.5	3.7	35
12.0	3.6	43
17.5	3.1	53
24.0	2.8	66

