

Application

CNC Machine, Machine center, Robot, Spaceflight, War Industry, Artificial Limb

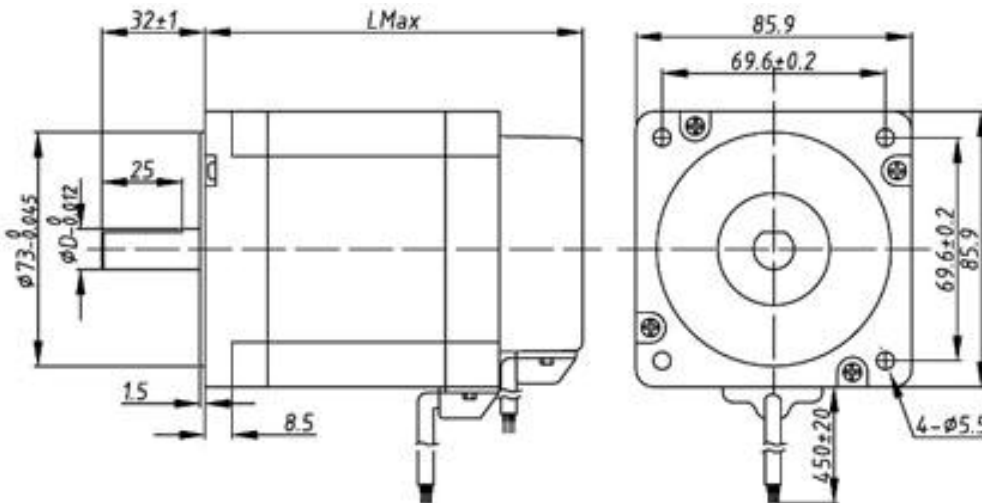
Picture



Complementary Products:

High reduction ratios with concentric shafts
Very low backlash and vibration

Mechanical Dimensions



Shaft Size

Model	Diameter of Shaft	Groove
D866-07009	Φ 12.7	Platform 1 × 25
D866-14019	Φ 12.7	platform 1 × 25
D866-21028	Φ 14	platform 1 × 250

Specification

Model	Rated power	Rated voltage	Current	Number of poles	Rated speed	Rated torque	Peak torque	Moment constant	Length	Weight	Encoder
	W	V	A		rpm	N. m	N. m	N. m/A			
D866-07009	220	310	0.94	8	3000	0.7	2.1	0.74	71	1.85	1000
D866-14019	440	310	1.89	8	3000	1.4	4.2	0.74	100	2.6	1000
D866-21028	660	310	2.83	8	3000	2.1	6.3	0.74	125	4	1000