

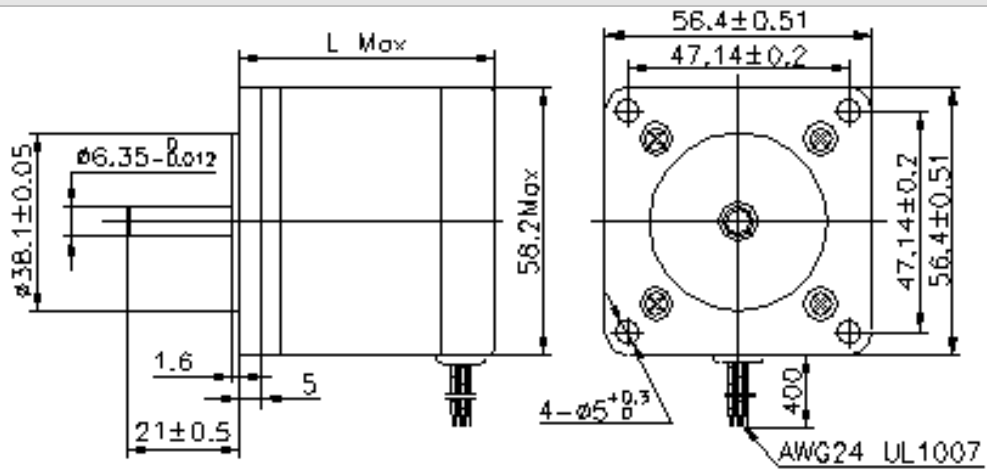
GERNERAL SPECIFICATIONS

Step Angle(Accuracy)----- 1.8°(±5%)
 Resistance Accuracy ----- ±10%
 Inductance Accuracy ----- ±20%
 Temperature Rise ----- 80°C Max.
 Ambient Temperature ----- -10°C~50°C
 Insulation Resistance ----- 100Mohm Min, 50VDC
 Dielectric Strength ----- 500VAC for one minute
 Shaft Radial Play ----- 0.06Max. (450 g-load)
 Shaft Axial Play ----- 0.08Max.(450 g-load)

Picture**Electrical Specification**

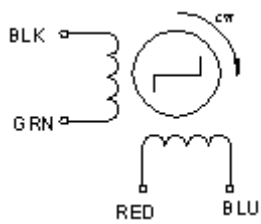
Series Model	Step Angle (°)	L (mm)	Rated Current (A)	Phase Resistance (Ω)	Phase Inductance (mH)	Holding Torque (N.cm)	Detent Torque (N.cm)	Lead Wire (NO.)	Motor Weight (g)
H573-03004	1.8	41	0.38	32	30	30	3.5	6	450
H573-02216	1.8	41	1.55	1.8	3.5	22	3.5	4	450
H573-03221	1.8	41	2.1	0.8	1.4	32	3.5	4	450
H573-02415	1.8	41	1.5	1.5	1.4	24	3.5	6	450
H573-03804	1.8	51	0.38	32	28	38	5.5	6	600
H573-04509	1.8	51	0.85	7.1	8.5	45	5.5	6	600
H573-04514	1.8	51	1.4	2.5	3.2	45	5.5	6	600
H573-06214	1.8	51	1.4	2.5	6.2	62	5.5	4	600
H573-06220	1.8	51	2.0	1.3	3.2	62	5.5	4	600
H573-06006	1.8	56	0.6	20	2.	60	6.5	6	650
H573-06012	1.8	56	1.2	5.0	6.8	60	6.5	6	650
H573-06016	1.8	56	1.6	2.5	3.2	60	6.5	6	650
H573-06024	1.8	56	2.4	1.0	1.2	60	6.5	6	650
H573-08025	1.8	56	2.5	1.2	3.0	80	6.5	4	650
H573-11042	1.8	76	4.2	0.6	1.4	110	6.5	4	800
H573-11021	1.8	76	2.1	2.2	6.2	110	9.5	4	800
H573-11036	1.8	76	3.6	0.8	2.2	110	9.5	4	800

Mechanical Dimensions

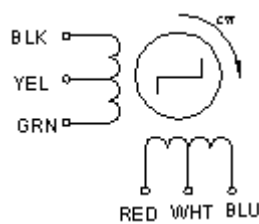


Standard Leadwire Configuration

BI-POLAR(4 LEADS)



UNI-POLAR(6 LEADS)



Complementary Products:

- Special shaft
- Encoders
- Connector
- Long leadwires