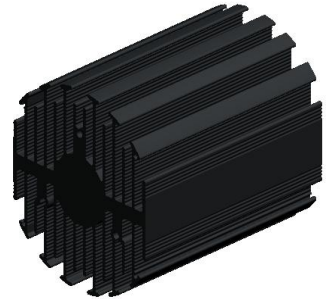


eLED

eLED-BRI-7080 Bridgelux Modular Passive Star LED Heat Sink Φ 70mm

Features VS Benefits

- * The eLED-BRI-7080 Bridgelux Modular Passive LED Coolers are specifically designed for luminaires using the Bridgelux LED engines.
- * Mechanical compatibility with direct mounting of the LED engines to the LED cooler and thermal performance matching the lumen packages.
- * For spotlight and downlight designs from 1200 to 3000 lumen.
- * Thermal resistance range R_{th} 1.77°C/W.
- * Modular design with mounting holes foreseen for direct mounting of Bridgelux ES Rectangle ES Star Array Series, Vero 13 and Vero18 COB engines.
- * Diameter 70mm - standard height 80mm Other heights on request.
- * Extruded from highly conductive aluminum.



Bridgelux LED engine and radiator assembly directly Mounting Options

- * Below you find an overview of Bridgelux COB's and LED modules which standard fit on the Cool-LED Simpo coolers.
- * In this way mechanical after work and related costs can be avoided, and lighting designers can standardize their designs on a limited number of LED coolers.



Bridgelux LED Modules directly Mounting Options

ES Rectangle Array Series LED engines

- | | |
|---------------------|---------------------|
| BXRA-27E0800-x-xx ; | BXRA-30E0800-x-xx ; |
| BXRA-27E1200-x-xx ; | BXRA-30E1200-x-xx ; |
| BXRA-27E2000-x-xx ; | BXRA-30E2000-x-xx ; |
| BXRA-27G0800-x-xx ; | BXRA-30G0800-x-xx ; |
| BXRA-27G1200-x-xx ; | BXRA-30G1200-x-xx ; |
| BXRA-27G2000-x-xx ; | BXRA-30G2000-x-xx ; |
| BXRA-35E0800-x-xx ; | BXRA-50C1100-x-xx ; |
| BXRA-35E1200-x-xx ; | BXRA-50C1600-x-xx ; |
| BXRA-35E2000-x-xx ; | BXRA-50C2600-x-xx ; |
| BXRA-40E0950-x-xx ; | BXRA-56C1100-x-xx ; |
| BXRA-40E1350-x-xx ; | BXRA-56C1600-x-xx ; |
| BXRA-40E2200-x-xx ; | BXRA-56C2600-x-xx ; |

With the Zhaga book 3 holders, Gree indicator marks.

(B-JB Holder: 47.319.2040.50)

Direct mounting with machine screw M3x8mm;

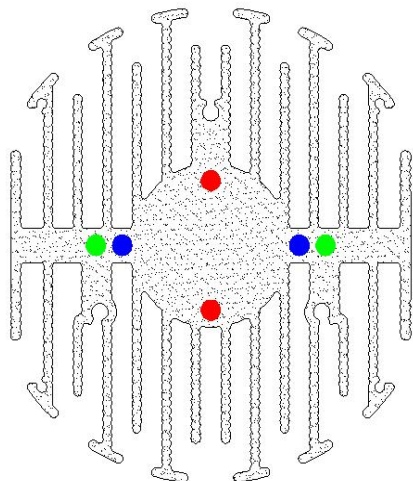
Blue indicator marks.

ES Star Array Series LED engines

- | |
|---------------------|
| BXRA-27E0540-A-03 ; |
| BXRA-27E0740-A-03 ; |
| BXRA-27G0540-A-03 ; |
| BXRA-27G0740-A-03 ; |
| BXRA-30E0540-A-03 ; |
| BXRA-30E0740-A-03 ; |
| BXRA-30G0540-A-03 ; |
| BXRA-30G0740-A-03 ; |
| BXRA-40E0600-A-03 ; |
| BXRA-40E0810-A-03 ; |
| BXRA-50C1000-A-03 ; |
| BXRA-56C0700-A-03 ; |
| BXRA-56C1000-A-03 ; |

Direct mounting with machine screw M3x8mm;

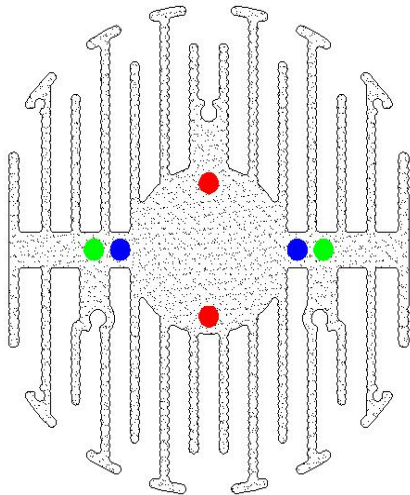
Red indicator marks.





eLED

eLED-BRI-7080 Bridgelux Modular Passive Star LED Heat Sink Φ70mm



Bridgelux LED Modules directly Mounting Options

Vero 10 Array Series LED engines

- BXRC-27E1000-B-xx ;
- BXRC-27G1000-B-xx ;
- BXRC-30E1000-B-xx ;
- BXRC-30G1000-B-xx ;
- BXRC-35E1000-B-xx ;

- BXRC-40E1000-B-xx ;
- BXRC-40G1000-B-xx ;
- BXRC-50C1000-B-xx ;
- BXRC-50E1000-B-xx ;
- BXRC-50G1000-B-xx ;

**Direct mounting with machine screw M3x8mm;
Red indicator marks.**

Vero 18 Array Series LED engines

- Vero 18 BXRC-27x4000
- Vero 18 BXRC-30x4000
- Vero 18 BXRC-35E4000
- Vero 18 BXRC-40E4000
- Vero 18 BXRC-50C4000

**Direct mounting with machine screws M3 x 6mm
Green indicator marks**

eLED

eLED-BRI-7080 Bridgelux Modular Passive Star LED Heat Sink Φ 70mm

Mounting Options and Drawings & Dimensions

Example:eLED-BRI-7080-B-3

Example:eLED-BRI-70 **1** - **2** - **3**

1 Height (mm)

2 Anodising Color

B-Black

C-Clear

Z-Custom

3 Mounting options;

On request;

Mounting holes, cable holes;

Screw thread, thermal interface pad.

Notes:

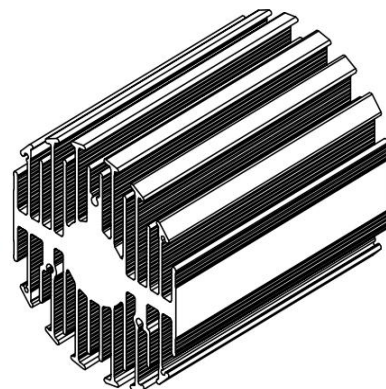
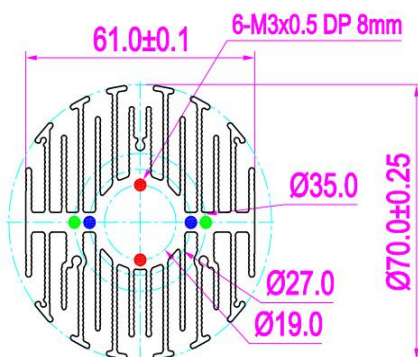
- Mentioned models are an extraction of full product range.

- For specific mechanical adaptations please contact MingfaTech.

- MingfaTech reserves the right to change products or specifications without prior notice.



MOUNTING OPTION	Module type	Holder NO.	THREAD	THREAD DEPTH	THREAD HOLE DISTANCE
1	ES-Star Array Vero-10;	/	M3	6.5mm	19.0mm/ 2-@180°
2	ES-Rectangle	/	M3	6.5mm	27.0mm/ 2-@180°
3	ES-Rectangle	BJB 47.313.2040.50	M3	6.5mm	35.0mm/ 2-@180°



eLED

eLED-BRI-7080 Bridgelux Modular Passive Star LED Heat Sink Φ 70mm

The thermal data table

	 <i>eLED-7080</i>
Model No.	eLED-BRI-7080
Size	Φ 70xH80mm
Material	AL6063-T5
Finish	Black Anodized
Weight(g)	329
Thermal Wattage	28.2W
HeatsinkOs-a²	115563
Heat Sink T_{Rise} Above Ambient	1.77

Dissipated Power Pd(W)	Pd = Pe x (1-ηL)	Heat sink to ambient thermal resistance Rhs-amb (°C/W)	Heat sink to ambient temperature rise Ths-amb (°C)
		eLED-BRI-7080	
6		2.5	15
12		2.2	26
18		1.9	34
24		1.8	43
30		1.7	51

