



for

LED

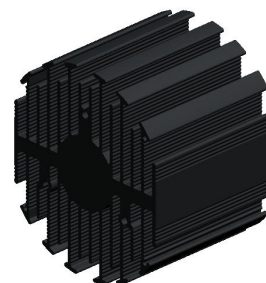


eLED

eLED-PHI-7050 for Philips Modular Passive Star LED Heat Sink Φ 70mm

Features VS Benefits

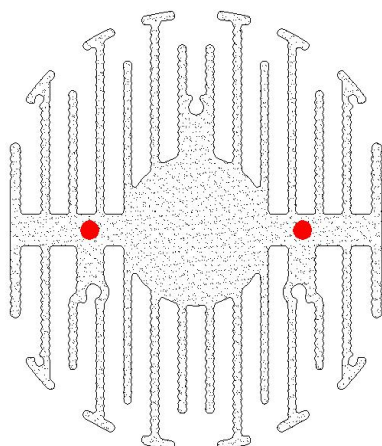
- * The eLED-PHI-7050 Philips Modular Passive LED Coolers are specifically designed for luminaires using the Philips LED engines.
- * Mechanical compatibility with direct mounting of the LED engines to the LED cooler and thermal performance matching the lumen packages.
- * For spotlight and downlight designs from 1000 to 2600 lumen.
- * Thermal resistance range R_{th} 2.18°C/W.
- * Modular design with mounting holes foreseen for direct mounting of Philips SLM engines.
- * Diameter 70mm - standard height 50mm Other heights on request.
- * Extruded from highly conductive aluminum.



Zhaga LED engine and radiator assembly is a unified future international standardization

- * Below you find an overview of philips engines COB's and LED modules which standard fit on the eLED coolers.
- * In this way mechanical after work and related costs can be avoided, and lighting designers can standardize their designs on a limited number of LED coolers.

PHILIPS



Philips LED engines for which Zhaga book3 LED Modules holders are available.

Philips Fortimo SLM LED modular Gen4:

- Fortimo LED SLM 1100LM 827 L9 G4;
- Fortimo LED SLM 1100LM 830 L9 G4;
- Fortimo LED SLM 1100LM 840 L9 G4;
- Fortimo LED SLM 1100LM 827 L13 G4;
- Fortimo LED SLM 1100LM 830 L13 G4;
- Fortimo LED SLM 1100LM 840 L13 G4;
- Fortimo LED SLM 2000LM 830 L13 G4;
- Fortimo LED SLM 2000LM 840 L13 G4;
- Fortimo LED SLM 2000LM 927 L13 G4;
- Fortimo LED SLM 2000LM 930 L13 G4;
- Fortimo LED SLM 3000LM 830 L15 G4;
- Fortimo LED SLM 3000LM 840 L15 G4;
- Fortimo LED SLM 3000LM 927 L15 G4;
- Fortimo LED SLM 3000LM 930 L15 G4;

Philips Fortimo SLM LED modular Gen3:

- Fortimo LED SLM 2000LM 830 L19 G3;
- Fortimo LED SLM 2000LM 840 L19 G3;
- Fortimo LED SLM 2000LM 930 L19 G3;
- Fortimo LED SLM 3000LM 830 L19 G3;
- Fortimo LED SLM 3000LM 840 L19 G3;
- Fortimo LED SLM 3000LM 930 L19 G3;

Philips Fortimo SLM LED modular Gen2:

- Fortimo LED SLM 800LM XXX L13 G2;
- Fortimo LED SLM 1100LM XXX L13 G2;
- Fortimo LED SLM 2000LM XXX L19 G2;

NO'1: With Zhaga Book 3 LED holder for red indicator marks. Direct mounting with machine screws M3x8mm;

Mounting Options and Drawings & Dimensions

Example: eLED-PHI-7050-B-3

Example: eLED-PHI-70 **1** - **2** - **3**

1 Height (mm)

2 Anodising Color

B-Black

C-Clear

Z-Custom

3 Mounting Options - see graphics for details Combinations available

Ex.order code - 12

means option 1 and 2 combined

Notes:

- Mentioned models are an extraction of full product range.

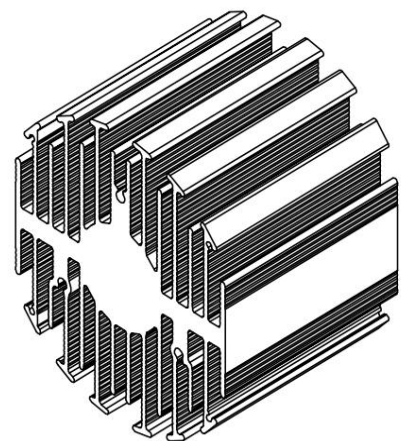
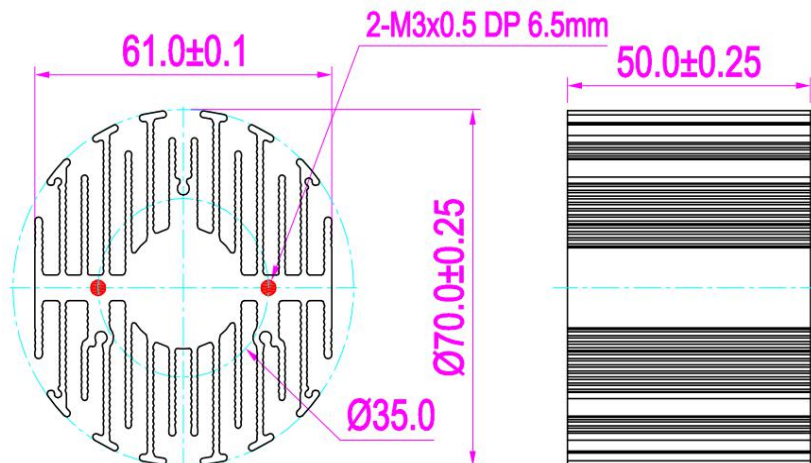
- For specific mechanical adaptations please contact MingfaTech.

-

MingfaTech reserves the right to change products or specifications without prior notice.



MOUNTING OPTION	Module type	Holder NO.	THREAD	THREAD DEPTH	THREAD HOLE DISTANCE
1	Fortimo SLM	/	M3	6.5mm	35.0mm/ 2-@180°



for

LED

eLED

eLED-PHI-7050 for Philips Modular Passive Star LED Heat Sink Φ 70mm

The thermal data table

	 <i>eLED-7050</i>
Model No.	eLED-PHI-7050
Size	Φ70xH50mm
Material	AL6063-T5
Finish	Black Anodized
Weight(gr)	206
Thermal Wattage	22.9W
HeatsinkOs-a²	73369
Heat Sink T_{Rise} Above Ambient	2.18

Dissipated Power Pd(W)	Pd = Pe x (1-ηL)	Heat sink to ambient thermal resistance Rhs-amb (°C/W)	Heat sink to ambient temperature rise T _{hs-amb} (°C)
		eLED-PHI-7050	
5		3.40	17
10		2.80	28
15		2.70	37
20		2.25	45
25		2.16	54

